



Thomas Parts Manual



Publication Number 049483SP

250/255 Skid Steer Loader

A. WARRANTY
B. S/N TAGS
C. DECALS

1. MAINFRAME

Fuel System 1.1
Rear Door..... 1.2
Universal Quick-Tach 1.3
Lift Arms and Pivot Pins 1.4
ROPS Assembly..... 1.5
Boom Supports 1.6
Shields..... 1.7
Seat and Seat Belt..... 1.8
Insulation (Standard).....1.9 (A)
Insulation (CE Models).....1.9 (B)
Fenders (255 Models).....1.10
Wheels and Tires..... 1.11

2. CONTROLS

Control Levers (Hand Controls) 2.1 (A)
Control Levers (Hand and Foot Controls)2.1 (B)
Foot Pedals (Hand and Foot Controls)..... 2.2
Throttle..... 2.3
Restraint Bar 2.4

3. FINAL DRIVE TRANSMISSION

Transmission Housing 3.1
Axle Assembly..... 3.2

4. HYDRAULIC SYSTEM

Oil Reservoir..... 4.1
Hydraulic Oil Filter 4.2
Boom Lift Circuit (Standard)..... 4.3 (A)
Boom Lift Circuit (w/ Optional Self Level Valve) 4.3 (B)
Fan / Radiator / Oil Cooler (up to S/N LR000185).....4.4 (A)
Fan / Radiator / Oil Cooler (S/N LR000186 onward)4.4 (B)
Lift Cylinder (250 Models)..... 4.5 (A)
Lift Cylinder (255 Models)4.5 (B)
Bucket Tilt Circuit (Standard).....4.6 (A)
Bucket Tilt Circuit (w/ Optional Self Level Valve) 4.6 (B)
Tilt Cylinder (250 Models) 4.7 (A)
Tilt Cylinder (255 Models).....4.7 (B)
Auxiliary Circuit..... 4.8
Control Valve..... 4.9
Accumulator.....4.10

5. HYDROSTATIC DRIVE SYSTEM

Hydrostatic Drive Circuit (250 Models)..... 5.1 (A)
Hydrostatic Drive Circuit (255 Models)5.1 (B)
Hydrostatic Tandem Pump..... 5.2
Hi-Flow Cicuit5.3
Torque Motor 5.4

6. ELECTRICAL SYSTEM

Electrical Wiring, ROPS..... 6.1
Electrical Wiring, Engine..... 6.2

7. ENGINE EQUIPMENT

Air Cleaner 7.1 (A)
Air Cleaner 7.1 (B)
Exhaust System..... 7.2
Engine Accessories 7.3
Engine7.4

8. OPTIONAL EQUIPMENT

Cab Enclosure8.1
Cab Heater8.2
Cab Door.....8.3
Side Windows - Painted.....8.4
Block Heater8.5
Horn8.6
Backup Alarm8.7
Optional Seat Belts8.8
Fenders.....8.9
Self Level Valve.....8.10
Hand Controls8.11
Hi-Flow8.12
Optional Wheel Equipment8.13
Hydraulic Oil Heater.....8.14
Interior Light & Exterior Trouble.....8.15
Counterweights8.16
Driving Lamp.....8.17
Purifier8.18
Mirror, External Rear View8.19
Mirror, Internal Rear View8.20
Suspension Seat & Seat Belt8.21
Stop Switch8.22
Lifting Lug.....8.23
Cab Liner8.24
Two-Speed8.25
Three-Point Seat Belt.....8.26
Flat Face Coupling.....8.27
Flat Face Adaptor to Poppet8.28

NUMERICAL LIST

LIABILITY WARRANTY

THE WARRANTY IS THE ONLY OBLIGATION OF THOMAS OR A THOMAS DEALER TO THE PURCHASER OR ANYONE ELSE CONCERNING A PRODUCT, ITS SERVICE, ITS USE OR PERFORMANCE OR ITS LOSS OF USE OR FAILURE TO PERFORM. NEITHER THOMAS NOR A THOMAS DEALER HAVE MADE AND NEITHER WILL MAKE ANY OTHER EXPRESSED OR IMPLIED REPRESENTATION, WARRANTY OR AGREEMENT CONCERNING A PRODUCT. NEITHER THOMAS NOR A THOMAS DEALER HAVE MADE OR WILL MAKE ANY REPRESENTATION, WARRANTY OR AGREEMENT CONCERNING A PRODUCTS MERCHANTABILITY OR OTHER QUALITY, ITS SUITABILITY FOR PURCHASER'S PURPOSE (EVEN IF A PURCHASER HAS INFORMED THOMAS OR A THOMAS DEALER OF THAT PURPOSE), ITS DURABILITY, PERFORMANCE OR OTHER CONDITION.

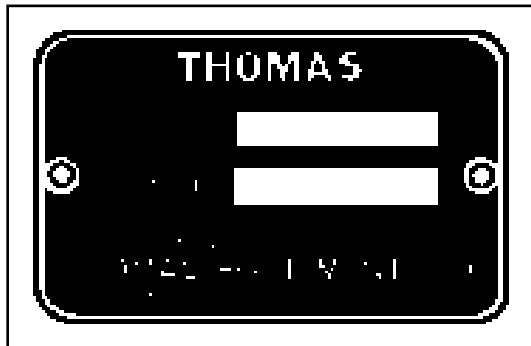
EVEN IF THOMAS OR A THOMAS DEALER WAS ADVISED OF THE POSSIBILITY OF SUCH LOSS, NEITHER THOMAS NOR A THOMAS DEALER WILL BE LIABLE TO PURCHASER OR ANYONE ELSE FOR ANY INDIRECT, INCIDENTAL CONSEQUENTIAL, PUNITIVE, ECONOMIC, COMMERCIAL, OR SPECIAL LOSS WHICH IS IN ANY WAY ASSOCIATED WITH A PRODUCT. THIS INCLUDES ANY LOSS OF USE OR NON-PERFORMANCE OF A PRODUCT, ANY REPLACEMENT RENTAL OR ACQUISITION COSTS, ANY LOSS OF REVENUE OR PROFITS, ANY FAILURE TO REALIZE EXPECTED SAVINGS, ANY INTEREST COSTS, ANY IMPAIRMENT OF OTHER GOODS, ANY INCONVENIENCE OR ANY LIABILITY OF PURCHASER TO ANY OTHER PERSON.

PURCHASER MAY NOT ATTEMPT TO ENLARGE ITS RIGHTS UNDER THE WARRANTY BY MAKING A CLAIM FOR INDEMNITY, FOR BREACH OF CONTRACT, FOR BREACH OF COLLATERAL WARRANTY, FOR A TORT (INCLUDING NEGLIGENCE, MISREPRESENTATION OR STRICT LIABILITY) OR BY CLAIMING ANY OTHER CAUSE OF ACTION.

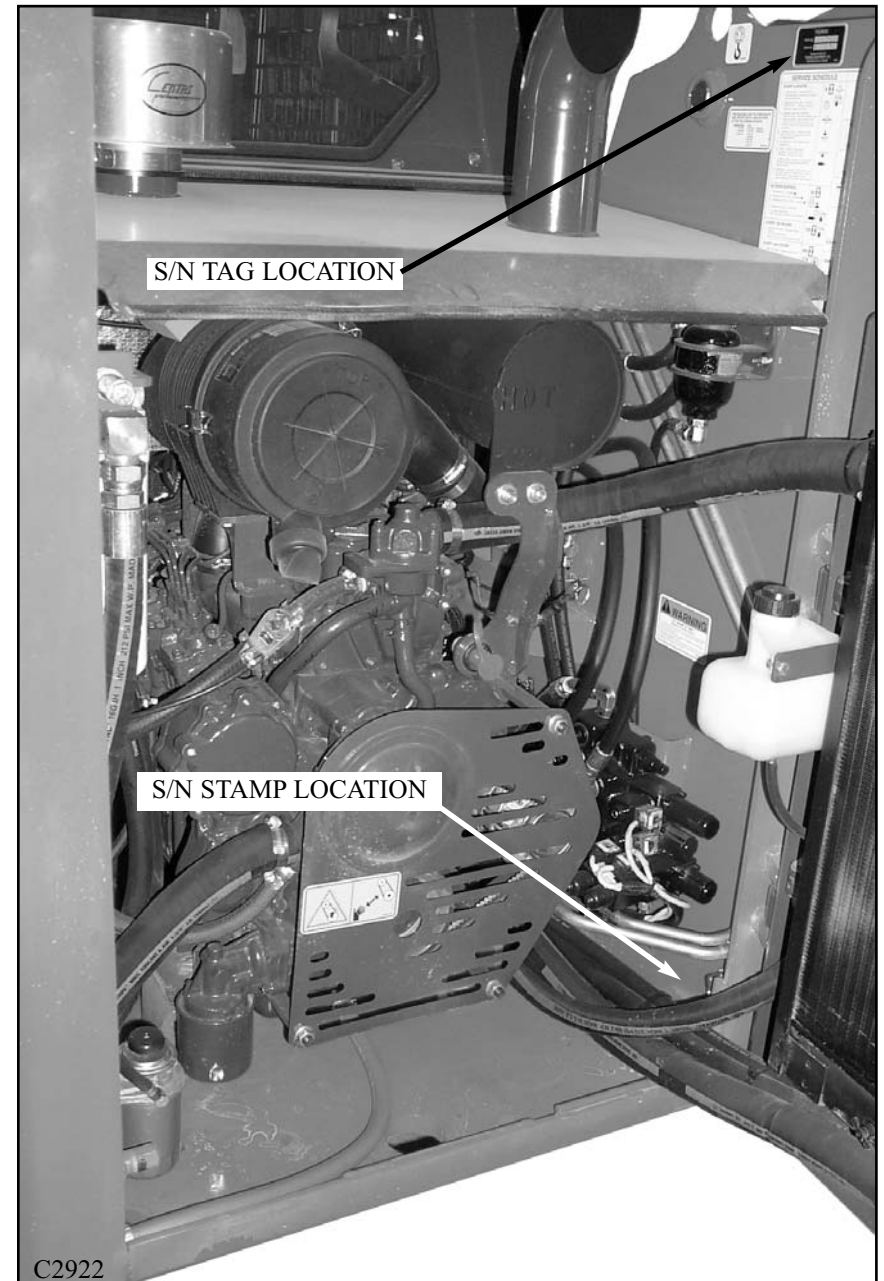
THE WARRANTY IS A CONDITION OF SALE OF THE PRODUCT TO PURCHASER AND WILL THEREFORE APPLY EVEN IF PURCHASER ALLEGES THAT THERE IS A TOTAL FAILURE OF THE PRODUCT.

*N.B. Read and practice your **Thomas** operating and servicing instructions. Failure to do this may void your warranty.*

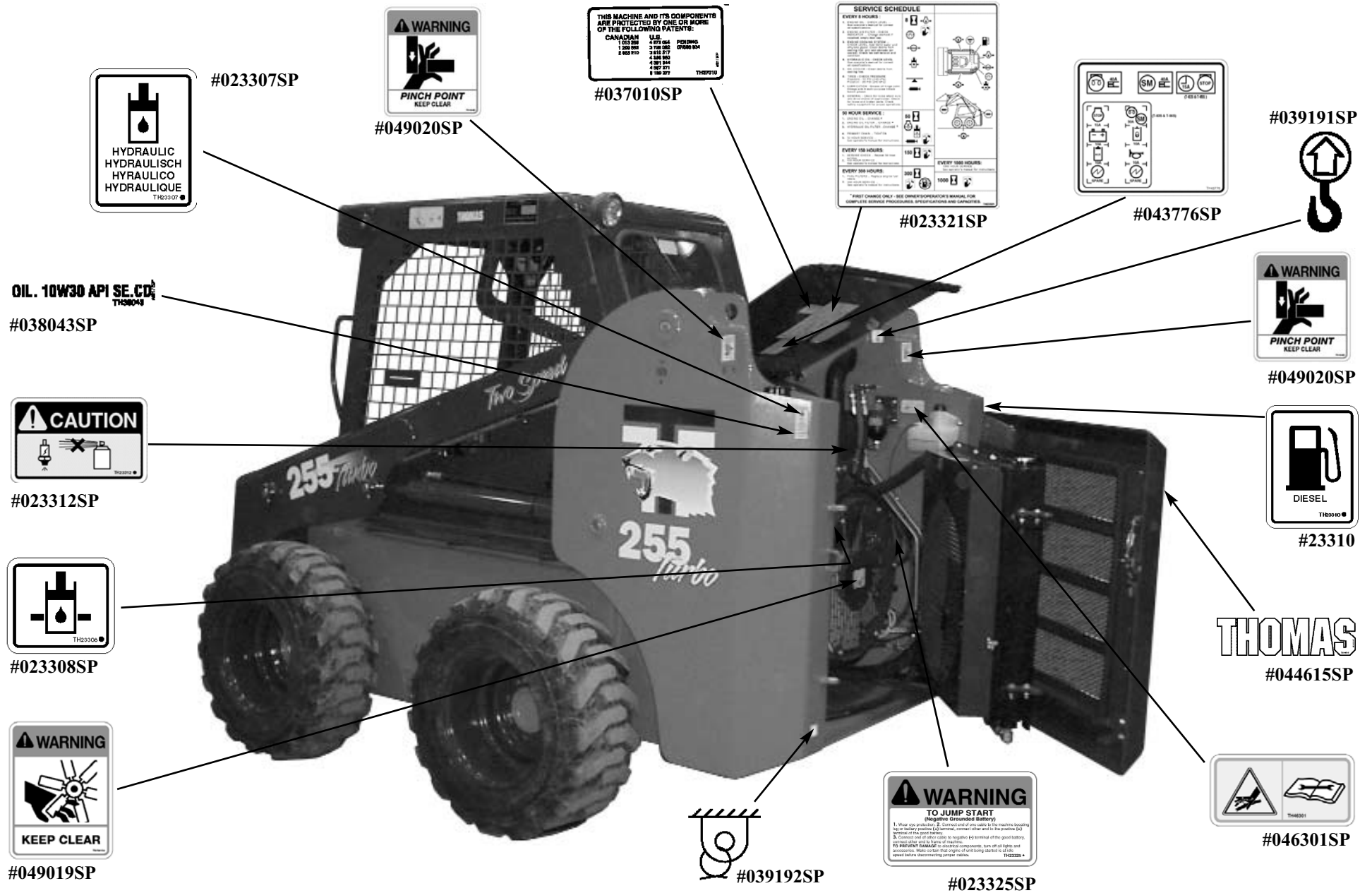
Publication #049483SP



It is important when ordering replacement parts or making a service inquiry to provide both the model number and serial number of your Thomas loader. The serial number plate is located at the rear of the machine on the right hand side. In the event that the serial number plate is missing, the model number and serial number are both stamped into the main frame inside the rear door, right hand side, next to the fuel line shut off petcock (Fig. C2922).



Decals



#023307SP

HYDRAULIC
HYDRAULISCH
HYDRAULICO
HYDRAULIQUE
TH23307

#049020SP

WARNING
PINCH POINT
KEEP CLEAR

#037010SP

THIS MACHINE AND ITS COMPONENTS
ARE PROTECTED BY ONE OR MORE
OF THE FOLLOWING PATENTS:

CANADIAN	U.S.	PERMITS
1 022 288	4 771 064	07088 034
1 028 956	3 792 925	
1 063 910	3 912 371	
	4 248 905	
	4 391 944	
	6 180 371	
	6 180 371	

TH23710

#023321SP

SERVICE SCHEDULE

EVERY 8 HOURS

EVERY 30 HOUR SERVICE

EVERY 100 HOURS

EVERY 200 HOURS

EVERY 500 HOURS

EVERY 1000 HOURS

*FIRST CHANGE ONLY. SEE OPERATOR'S MANUAL FOR COMPLETE SERVICE PROCEDURES, SPECIFICATIONS AND CAPACITIES.

#043776SP

TH23776

#039191SP

OIL. 10W30 API SE, CD
TH238043

#038043SP

#049020SP

WARNING
PINCH POINT
KEEP CLEAR

#023312SP

CAUTION

#23310

DIESEL
TH23310

#023308SP

TH23308

THOMAS
#044615SP

#049019SP

WARNING
KEEP CLEAR

#023325SP

WARNING
TO JUMP START
(Negative Grounded Battery)

1. Wear eye protection. 2. Connect end of one cable to the machine's negative terminal or other positive (+) terminal, correct (blue) end to the positive (+) terminal of the good battery.
2. Connect end of other cable to negative (-) terminal of the good battery. DO NOT connect to the frame of machine.

DO NOT USE "BAMMER" or other electronic equipment, turn off all lights and accessories. Make certain that cables do not touch vehicle or other ground before disconnecting jump cables.

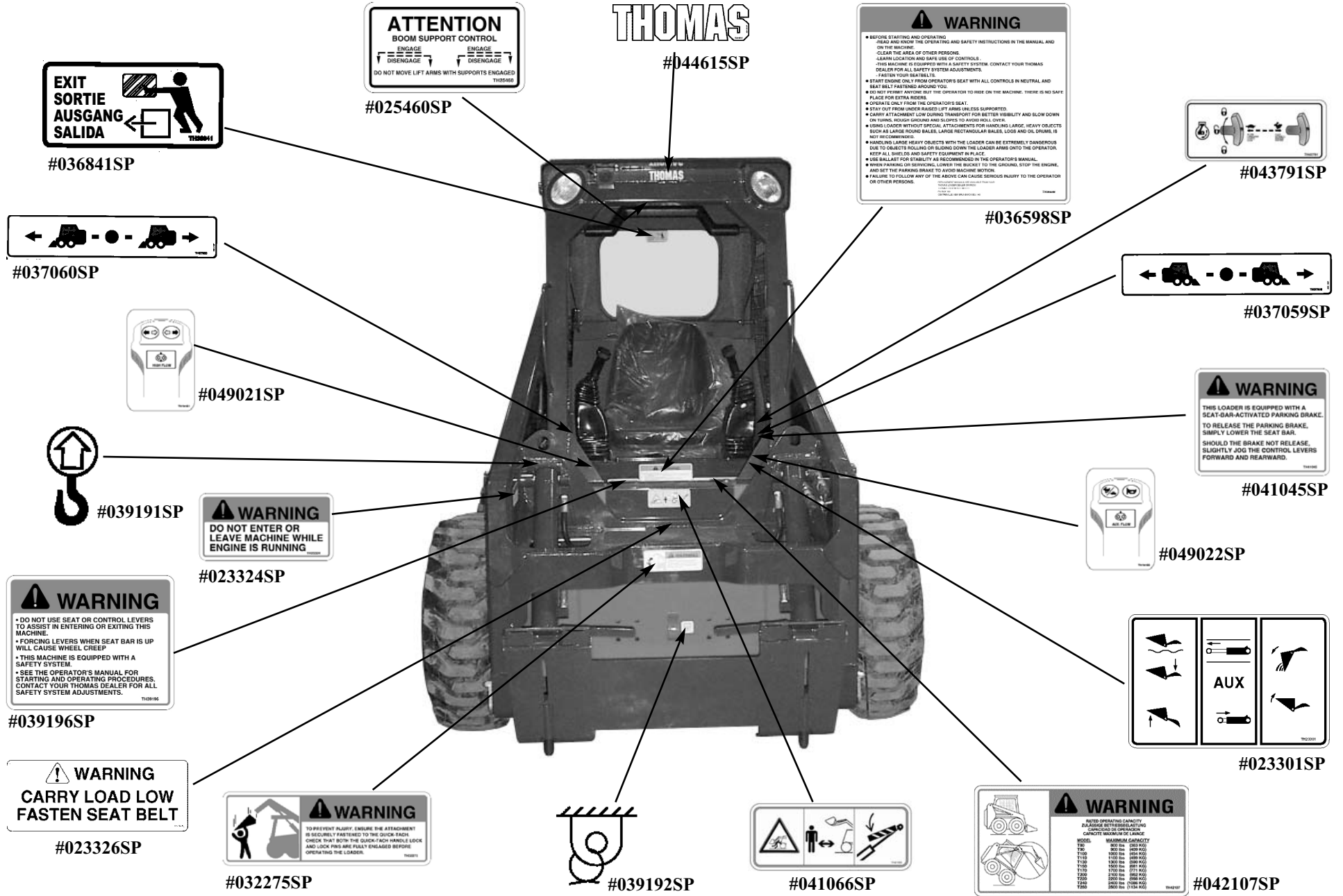
TH23325

#046301SP

TH23301

#039192SP

Decals



EXIT SORTIE AUSGANG SALIDA

#036841SP

ATTENTION
BOOM SUPPORT CONTROL

ENGAGE DISENGAGE ENGAGE DISENGAGE

DO NOT MOVE LIFT ARMS WITH SUPPORTS ENGAGED

#025460SP

#037060SP

#049021SP

#039191SP

WARNING
DO NOT ENTER OR LEAVE MACHINE WHILE ENGINE IS RUNNING

#023324SP

WARNING

- DO NOT USE SEAT OR CONTROL LEVERS TO ASSIST IN ENTERING OR EXITING THIS MACHINE.
- FORCING LEVERS WHEN SEAT BAR IS UP WILL CAUSE WHEEL CREEP.
- THIS MACHINE IS EQUIPPED WITH A SAFETY SYSTEM.
- SEE THE OPERATOR'S MANUAL FOR STARTING AND OPERATING PROCEDURES. CONTACT YOUR THOMAS DEALER FOR ALL SAFETY SYSTEM ADJUSTMENTS.

#039196SP

WARNING
CARRY LOAD LOW FASTEN SEAT BELT

#023326SP

WARNING

TO PREVENT PLUMBI, ENSURE THE ATTACHMENT IS SECURELY FASTENED TO THE QUICK HATCH. CHECK THAT BOTH THE QUICK-HATCH HANDLE LOCK AND LOCK PIN ARE FULLY ENGAGED BEFORE OPERATING THE LOADER.

#032275SP

#039192SP

THOMAS

#044615SP

WARNING

- BEFORE STARTING AND OPERATING READ AND KNOW THE OPERATING AND SAFETY INSTRUCTIONS IN THE MANUAL AND ON THE MACHINE.
- CLEAR THE AREA OF OTHER PERSONS.
- LEAVE LOCATION AND SAFE USE OF CONTROLS.
- THIS MACHINE IS EQUIPPED WITH A SAFETY SYSTEM. CONTACT YOUR THOMAS DEALER FOR ALL SAFETY SYSTEM ADJUSTMENTS.
- FASTEN YOUR SEATBELT.
- START ENGINE ONLY FROM OPERATOR'S SEAT WITH ALL CONTROLS IN NEUTRAL AND SEAT BELT FASTENED AROUND YOU.
- DO NOT PERMIT ANYONE BUT THE OPERATOR TO RIDE ON THE MACHINE. THERE IS NO SEAT PLACE FOR EXTRA RIDERS.
- OPERATE ONLY FROM THE OPERATOR'S SEAT.
- STAY OUT FROM UNDER RAISED LIFT ARMS UNLESS SUPPORTED.
- CARRY ATTACHMENT LOW DURING TRANSPORT FOR BETTER VISIBILITY AND SLOW DOWN ON TURNS, ROUGH GROUND AND SLOPES TO AVOID ROLL-OVER.
- LOADS LOADED WITHOUT SPECIAL ATTACHMENTS FOR HANDLING LARGE, HEAVY OBJECTS SUCH AS LARGE ROUND BALES, LARGE RECTANGULAR BALES, LOGS AND OIL DRUMS, IS NOT RECOMMENDED.
- HANDLING LARGE HEAVY OBJECTS WITH THE LOADER CAN BE EXTREMELY DANGEROUS DUE TO OBJECTS ROLLING OR SLIDING DOWN THE LOADER ARMS ONTO THE OPERATOR. KEEP ALL SHIELDS AND SAFETY EQUIPMENT IN PLACE.
- USE BALLAST FOR STABILITY AS RECOMMENDED IN THE OPERATOR'S MANUAL.
- WHEN PARKING ON SLOPING LOWER THE BUCKET TO THE GROUND, STOP THE ENGINE, AND SET THE PARKING BRAKE TO STOP MACHINE MOTION.
- FAILURE TO FOLLOW ANY OF THE ABOVE CAN CAUSE SERIOUS INJURY TO THE OPERATOR OR OTHER PERSONS.

#036598SP

#043791SP

#037059SP

WARNING

THIS LOADER IS EQUIPPED WITH A SEAT-BAR-ACTIVATED PARKING BRAKE. TO RELEASE THE PARKING BRAKE, SIMPLY LOWER THE SEAT BAR. SHOULD THE BRAKE NOT RELEASE, SLIGHTLY JOG THE CONTROL LEVERS FORWARD AND REARWARD.

#041045SP

#049022SP

AUX

#023301SP

#041066SP

WARNING

RATED OPERATING CAPACITY
SEASONS OPERATING AROUND
CAPACITY DECREASES AT RANGE

MODEL	MAXIMUM CAPACITY
T100	800 lbs (363 kg)
T150	1000 lbs (454 kg)
T200	1200 lbs (544 kg)
T250	1500 lbs (680 kg)
T300	1800 lbs (816 kg)
T350	2000 lbs (907 kg)
T400	2500 lbs (1134 kg)
T450	3000 lbs (1361 kg)
T500	3500 lbs (1588 kg)
T550	4000 lbs (1814 kg)
T600	4500 lbs (2041 kg)

#042107SP

Decals



#041065SP



THOMAS

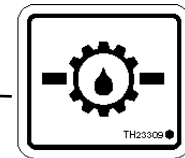
#44615

Two Speed

#049023SP (Not available on all models)

#049018SP (255 Kit)

#049438SP (250 Kit)



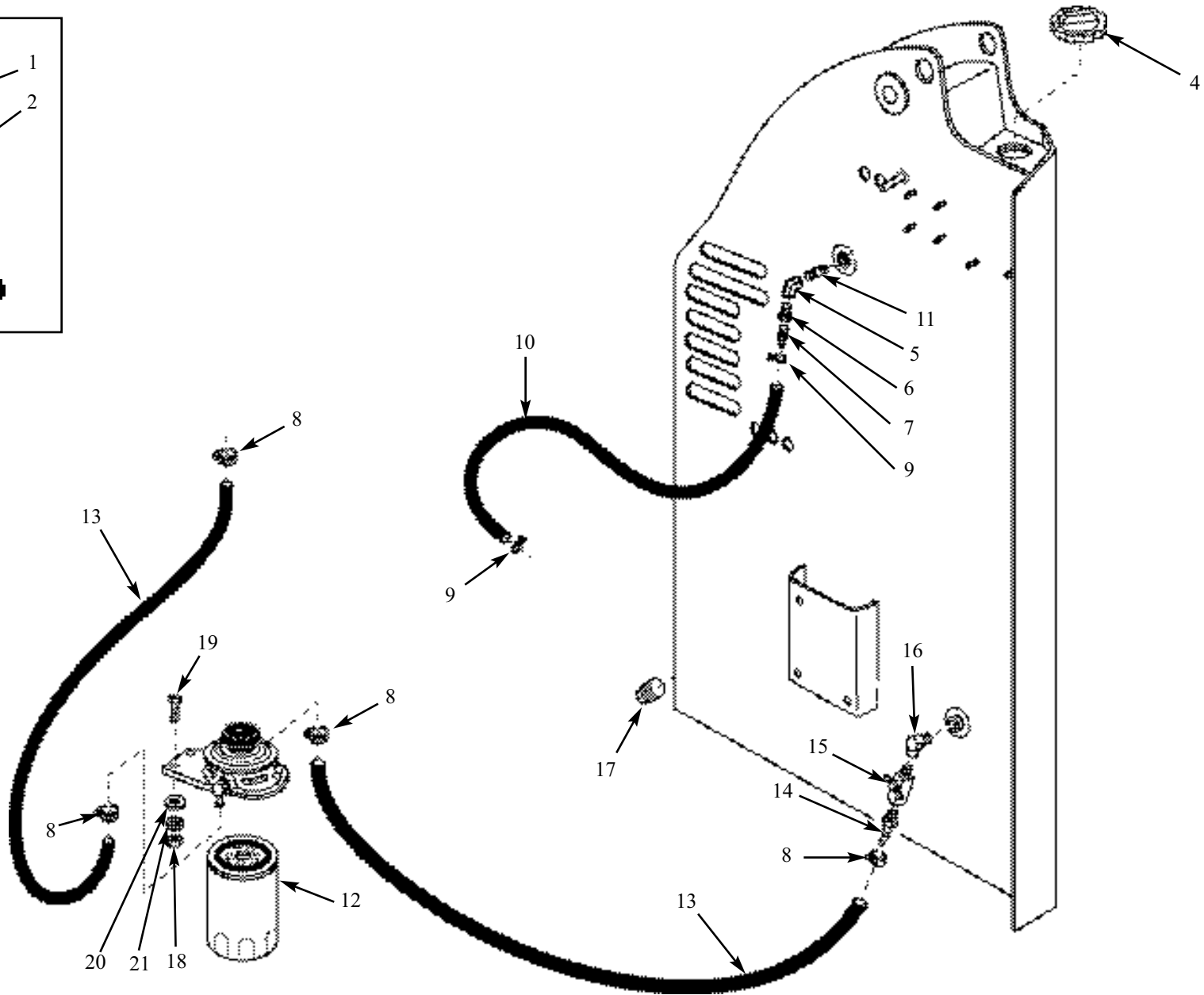
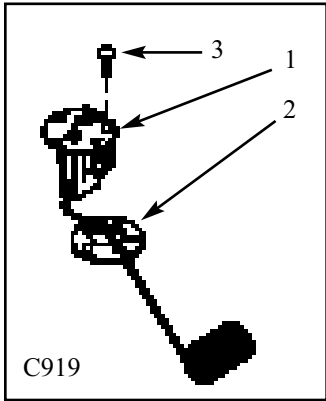
#023309SP

#049018SP (255 Kit)
#049438SP (250 Kit)

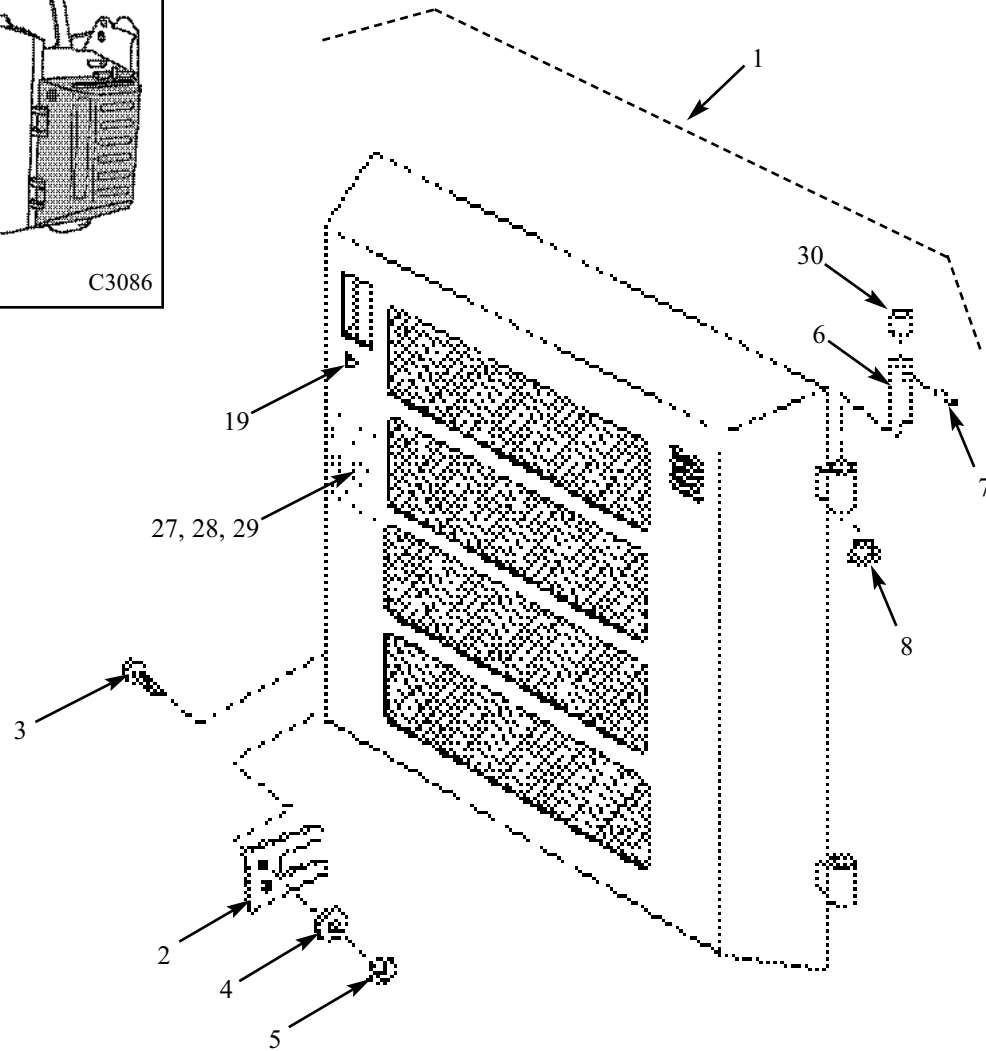
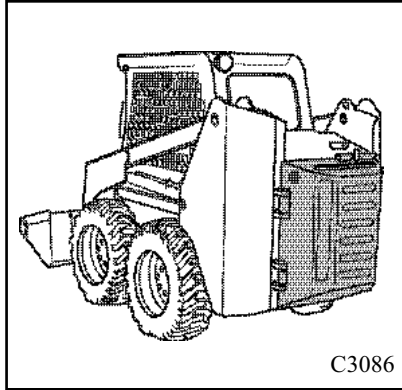
PART	QTY	DESCRIPTION	PAINT	QTY	DESCRIPTION
049018SP	1	Kit, Decal 255 Turbo	040970SP	-	Orange paint, aerosol
049438SP	1	Kit, Decal 250	041123SP	-	Grey paint, aerosol
049040SP	1	Kit, Common Decal	041778SP	1	Orange paint, pre - mixed, per litre
			041738SP	1	Grey paint, pre - mixed, per litre
049190SP	1	Kit, Portuguese Common Decal Add-on			
049191SP	1	Kit, French Common Decal Add-on			
049192SP	1	Kit, German Common Decal Add-on			
049193SP	1	Kit, Italian Common Decal Add-on			
049194SP	1	Kit, Spanish Common Decal Add-on			
049195SP	1	Kit, Danish Common Decal Add-on			
049196SP	1	Kit, Dutch Common Decal Add-on			
047859SP	1	Decal, LWA 105, Noise Output (CE loaders only)			

1. MAINFRAME

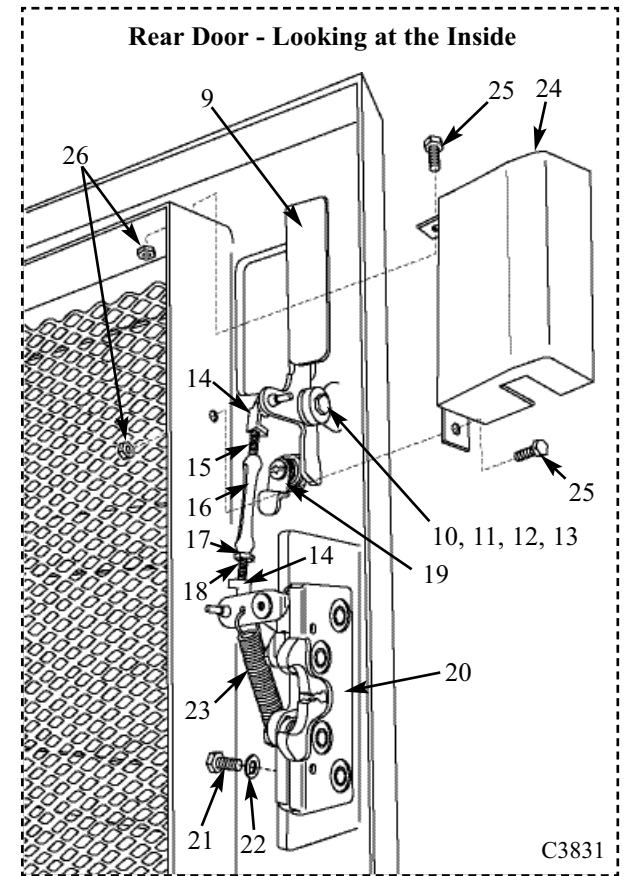
Fuel System.....	1.1
Rear Door.....	1.2
Universal Quick-Tach	1.3
Lift Arms and Pivot Pins.....	1.4
ROPS Assembly.....	1.5
Boom Supports.....	1.6
Shields	1.7
Seat and Seat Belt	1.8
Insulation (Standard)	1.9 (A)
Insulation (CE Models).....	1.9 (B)
Fenders (255 Models)	1.10
Wheels and Tires	1.11



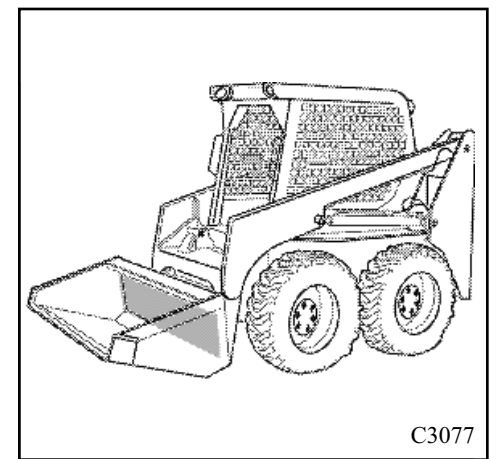
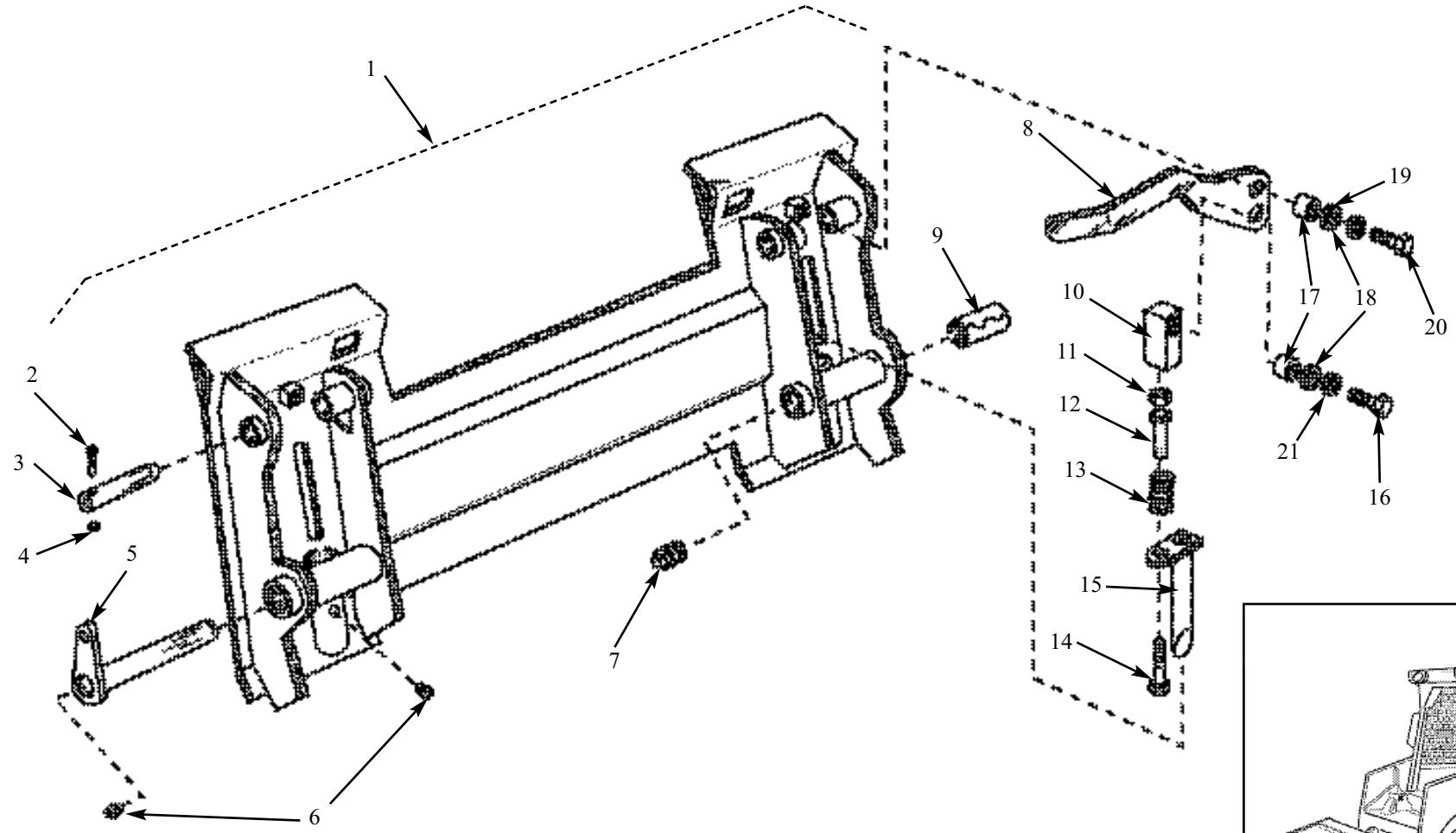
ITEM	PART	QTY	DESCRIPTION
1.	041627SP	1	Sender, Fuel Level
2.	024264SP	1	Gasket, for Fuel Sender
3.	023194SP	5	Screw
4.	040921SP	1	Fuel Cap
4.	040922SP	1	Locking Fuel Cap (Option)(Standard on CE Loaders)
5.	042573SP	1	Elbow
6.	042572SP	1	Reducer Bushing
7.	018318SP	1	Hose End
8.	019949SP	4	Clamp, Fuel Line
9.	026737SP	2	Clamp, Wire Hose
10.	000407SP	A / R	Hose, Fuel 3 3/16
11.	042571SP	1	Nipple
12.	042561SP	1	Fuel Filter Element
13.	000261SP	A / R	Hose, Fuel 5 5/16
14.	023861SP	1	Hose End
15.	014797SP	1	Shut Off Petcock
16.	042574SP	1	Elbow, 90°
17.	017144SP	1	Drain Plug
18.	001194SP	2	Nut, Hex
19.	001387SP	2	Bolt, Hex
20.	001643SP	2	Washer, Flat
21.	001642SP	2	Washer, Lock



C3825

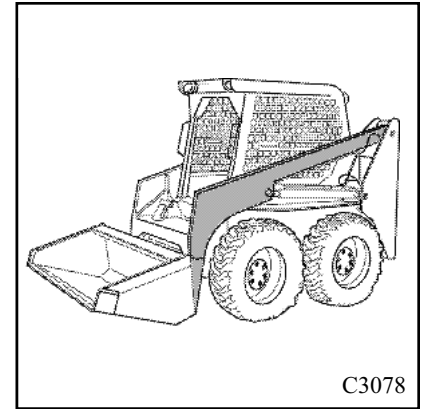
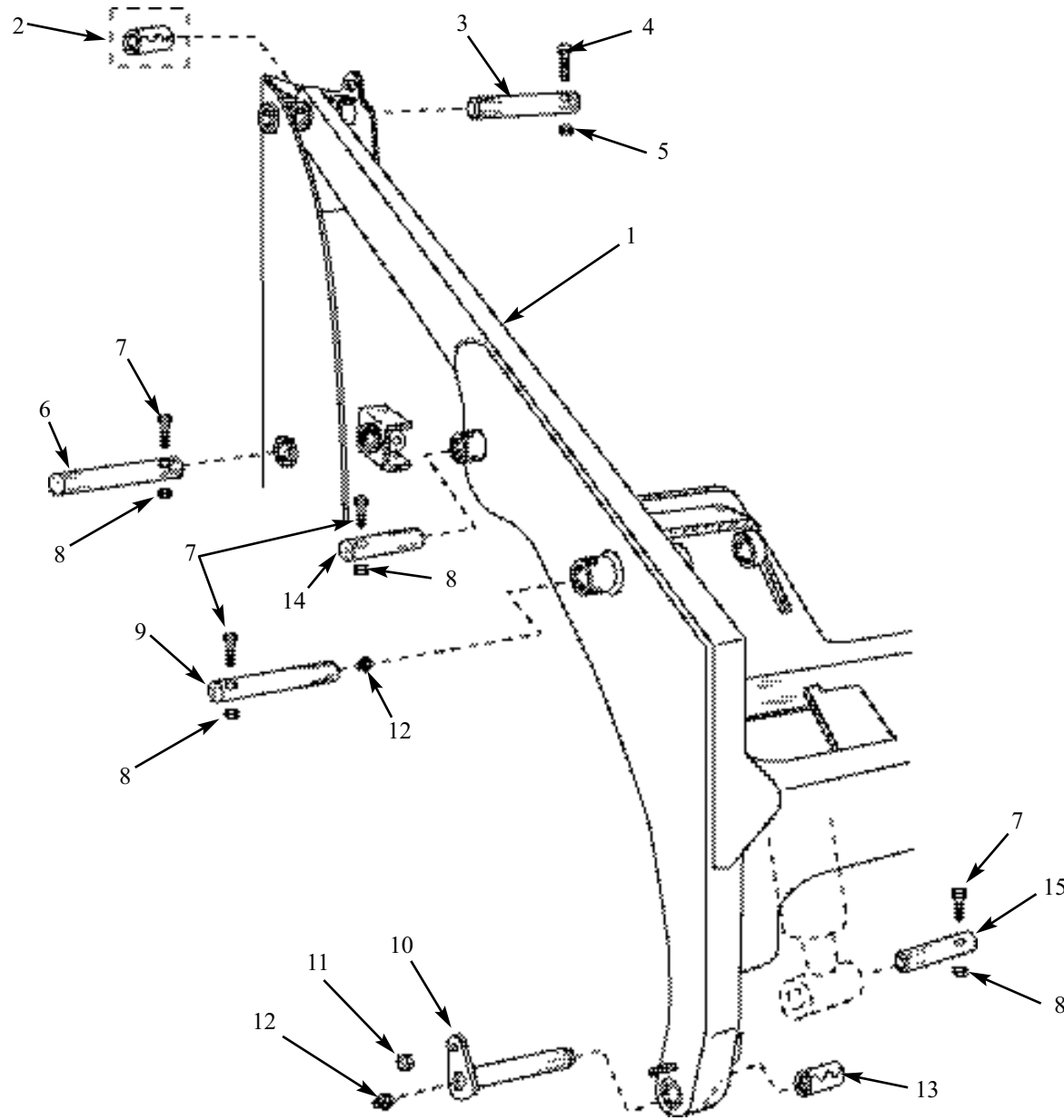


ITEM	PART	QTY	DESCRIPTION
*	964522SP	1	Rear Door Complete
1.	964514SP	1	Rear Door Welded Assy.
2.	048614SP	1	Plate, Door Guide
3.	001684SP	2	Bolt, Carriage 3/8 x 1
4.	001643SP	2	Washer, Flat 3/8
5.	007465SP	2	Nut, Nylok 3/8
6.	051028SP	2	Pin
7.	021004SP	2	Pin, Split Spring
8.	016989SP	2	Bearing
9.	048706SP	1	Sheet, Handle
10.	005170SP	1	Bolt, Hex 1/4 x 1
11.	039868SP	2	Washer, Nylon 1/4 x 7/8
12.	001650SP	1	Washer, Flat 1/4
13.	006645SP	1	Nut, Nylok 1/4
14.	043088SP	2	Clip, Rod Plastic
15.	043236SP	1	Rod, .161" Dia. x 2" w/#10-24 LH Thread
16.	043087SP	1	Turnbuckle, #10-24 Thread
17.	023238SP	1	Nut, Nylok #1--24
18.	043235SP	1	Rod, .161" Dia. x 2" w/#10-24 RH Thread
19.	048929SP	1	Cylinder, Lock
20.	048927SP	1	Latch, Rotary LH
21.	005170SP	4	Bolt, Hex 1/4 x 1
22.	002279SP	4	Washer, Lock 1/4
23.	046398SP	1	Spring
24.	964544SP	1	Latch Cover Assembly
25.	002663SP	2	Bolt, Hex 1/4 x 3/4
26.	006645SP	2	Nut, Nylok 1/4
27.	048928SP	1	Bolt, Rotary Striker for Door Latch
28.	006398SP	1	Nut, Hex 7/16
29.	006394SP	1	Washer, Lock 7/16
30.	049097SP	2	Bearing

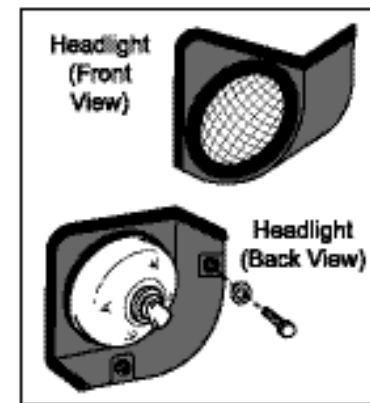
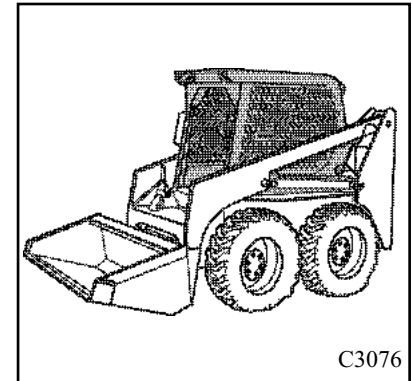
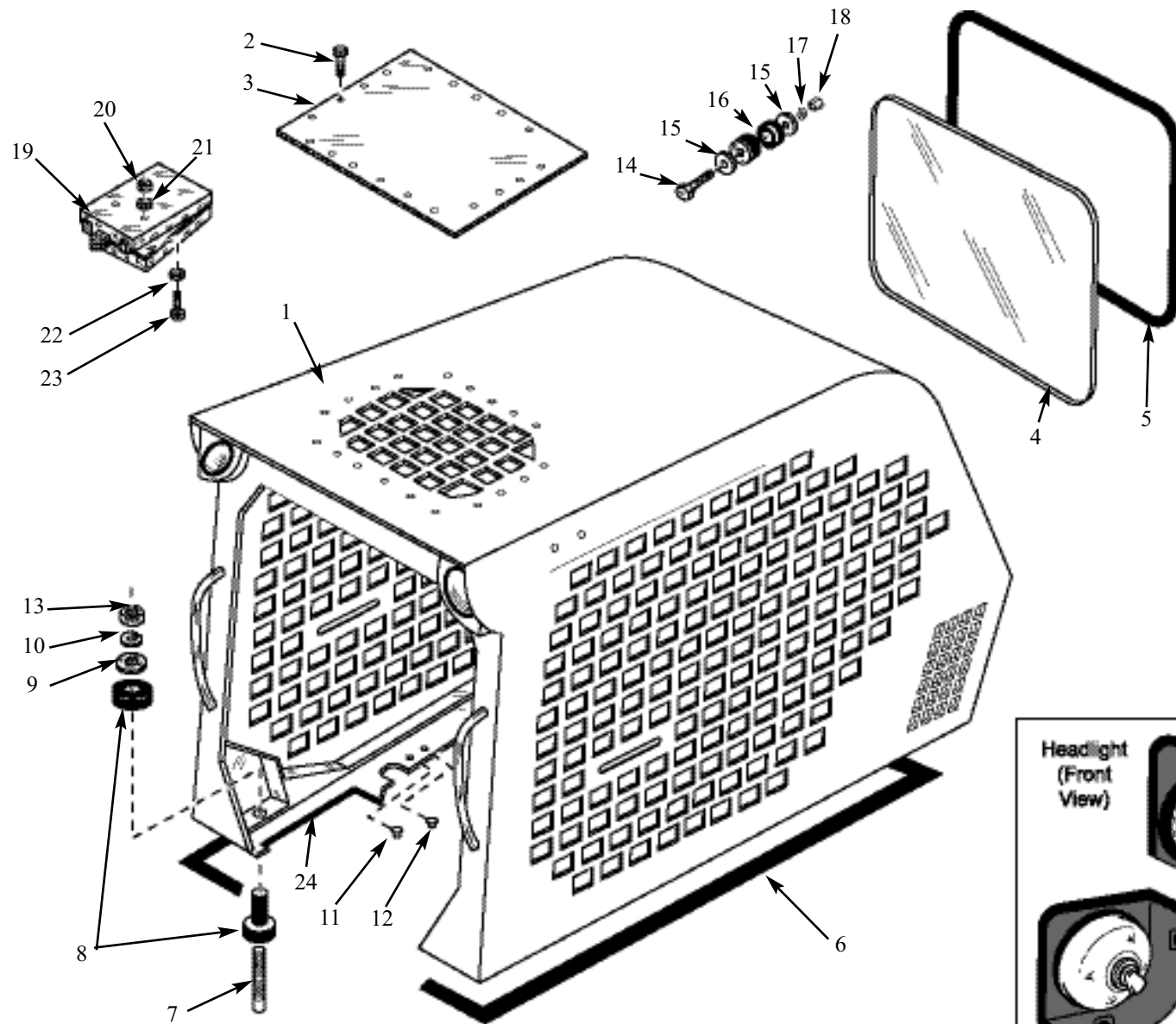


ITEM	PART	QTY	DESCRIPTION
1.	961696SP	1	Quick-Tach, Universal Assembly
2.	007458SP	2	Bolt, Hex
3.	043636SP	2	Pin (Hardened)
4.	016771SP	2	Nut, Nylok
5.	043634SP	2	Pin, Hardened Assy.
*	008613SP	2	Nut, Nylok
6	002010SP	4	Grease Fitting
7.	001458SP	2	Plug
8.	041290SP	1	Plate, Handle RH
*	041291SP	1	Plate, Handle LH
9.	041318SP	2	Bushing, Hardened
10.	040614SP	2	Bar, Square, Linkage Block
11.	020860SP	2	Nut, Hex
12.	042350SP	2	Bushing, Spring Stabilizer
13.	049281SP	2	Spring
14.	002011SP	2	Bolt, Hex
15.	961834SP	1	Pin, Lock Assy. RH
*	961833SP	1	Pin, Lock Assy. LH
16.	003321SP	2	Bolt, Hex
17.	022653SP	4	Bushing, Stabilizer Bar
18.	023385SP	4	Washer, Flat
19.	041392SP	2	Washer, Belleville Spring
20.	001680SP	2	Bolt, Hex
21.	020861SP	2	Washer, Lock

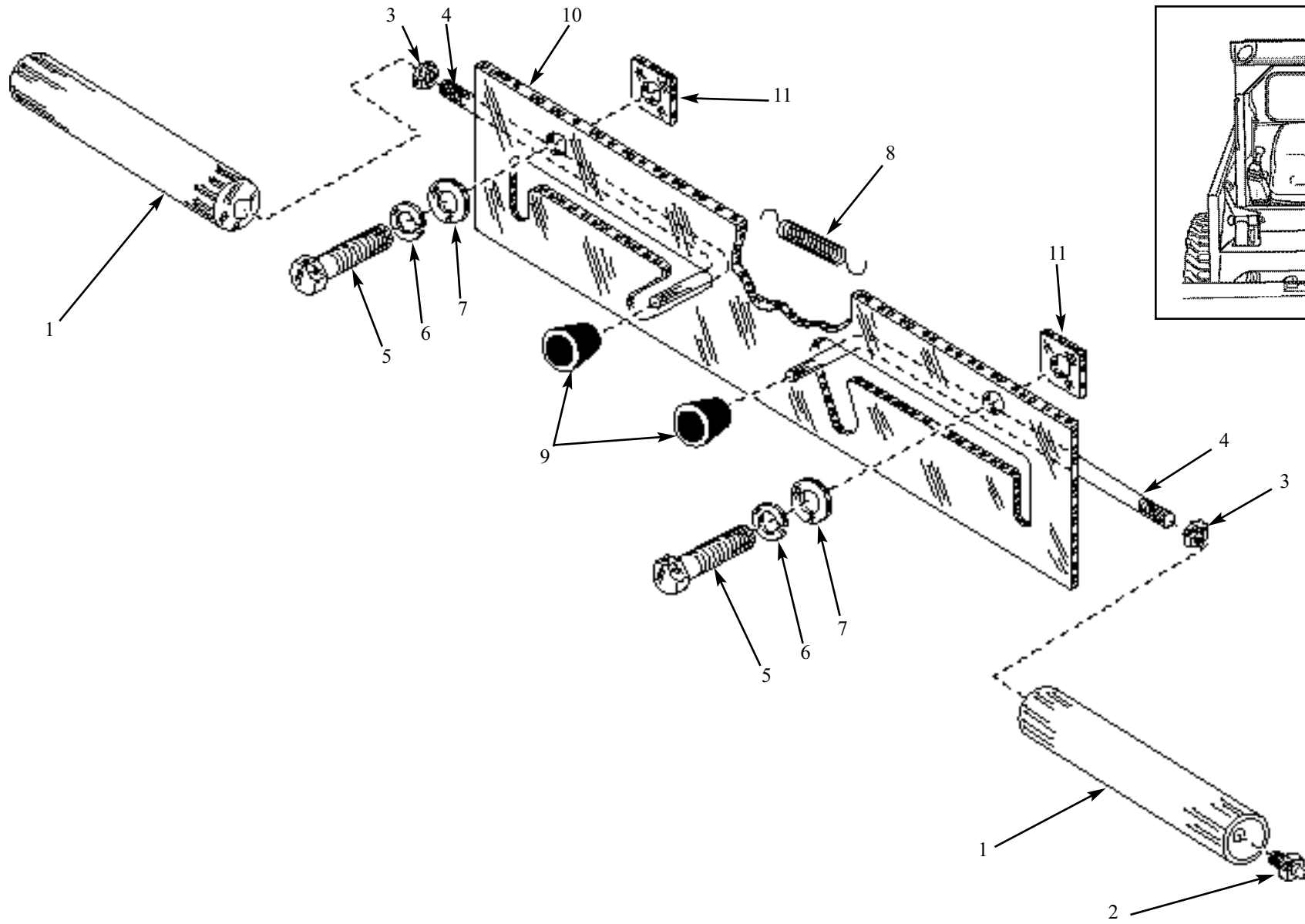
LIFT ARMS and PIVOT PINS



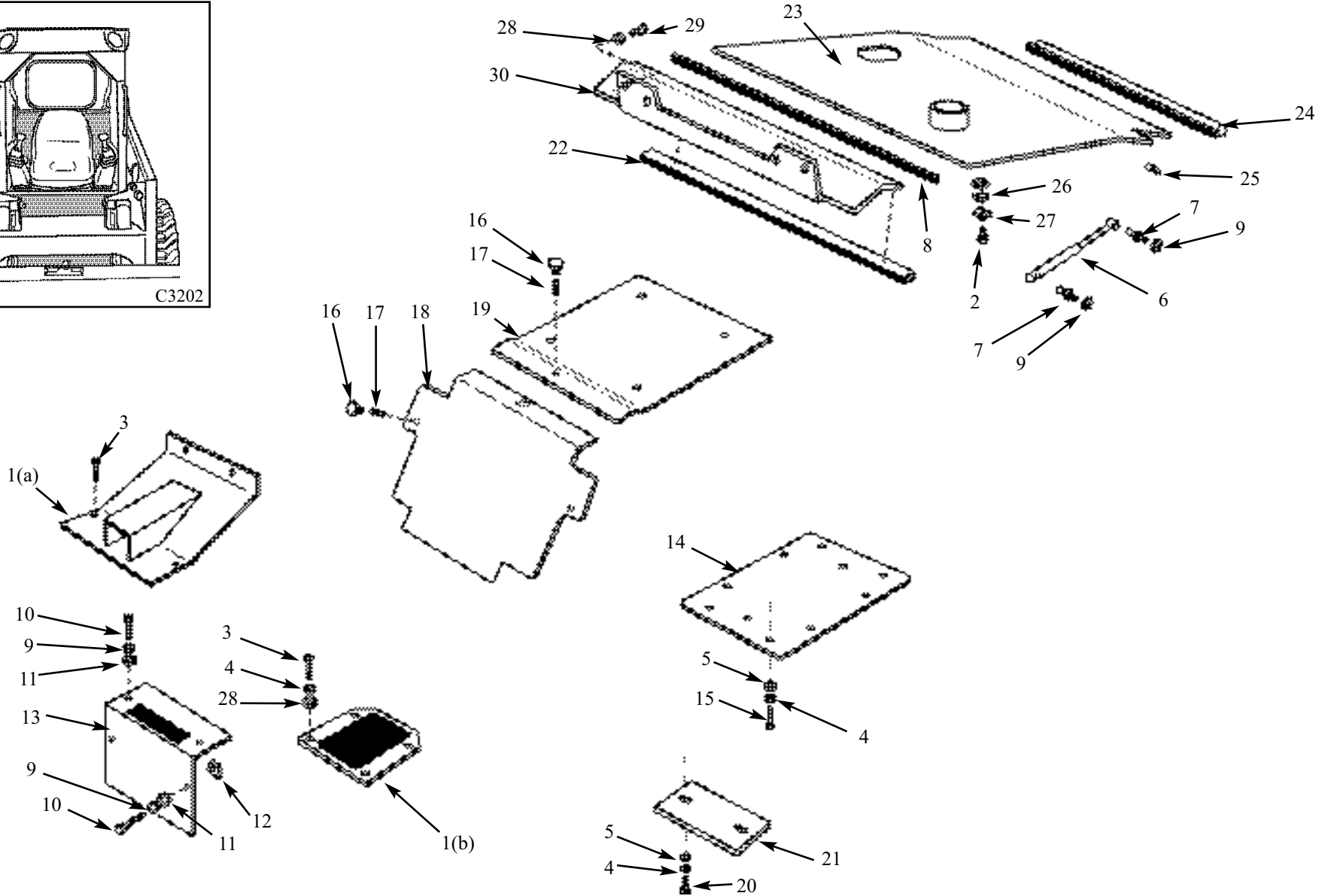
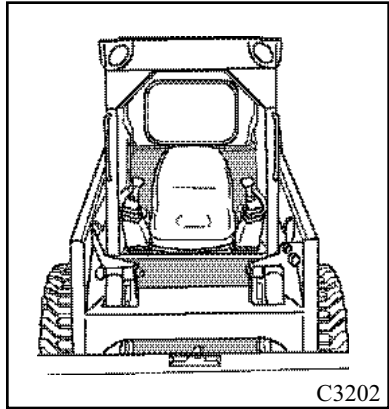
ITEM	PART	QTY	DESCRIPTION
1.	963926SP	1	Lift Arms Welded Assembly
2.	043631SP	2	Bushing, Hardened
3.	043635SP	2	Pin, Hardened
4.	003322SP	2	Bolt
5.	007465SP	2	Lock Nut
6.	043637SP	2	Pin, Hardened
7.	007458SP	8	Bolt
8.	016771SP	8	Lock Nut
9.	043830SP	2	Pivot Pin
10.	043634SP	2	Pivot Pin, Hardened
11.	008613SP	2	Lock Nut
12.	002010SP	4	Grease Fitting
13.	043633SP	2	Bushing, Hardened
14.	043829SP	2	Pin, Hardened
15.	043636SP	2	Pivot Pin, Hardened



ITEM	PART	QTY	DESCRIPTION
1.	964597SP	1	ROPS Frame, Welded Assy (Rnd)
2.	031744SP	12	Screw, Hex Head
3.	037808SP	1	Window, Top
4.	046389SP	1	Window with Decal
5.	015750SP	8 ft	Weatherstrip, Glass Setting
6.	015931SP	A / R	Weatherstrip (50 ft. roll)
7.	017633SP	4	Bar, ROPS Mounting Stud
8.	048942SP	4	Isolator, Neoprene
9.	023452SP	4	Snubbing Washer, ROPS
10.	001647SP	4	Washer, Lock
11.	039537SP	1	Plug, Buttonhole 7/16"
12.	039126SP	1	Plug, Buttonhole 1/2"
13.	016608SP	4	Nut, Nylok
14.	002898SP	1	Bolt, Hex
15.	020235SP	2	Washer, Snubbing
16.	048941SP	1	Isolator, Neoprene
17.	020861SP	1	Washer, Lock
18.	008613SP	1	Nut, Nylok
19.	040737SP	1	Manual Holder
20.	006645SP	3	Lock Nut
21.	018455SP	3	Washer
22.	001650SP	3	Washer
23.	005170SP	3	Bolt, Hex
24.	000820SP	28"	Edging, Vinyl



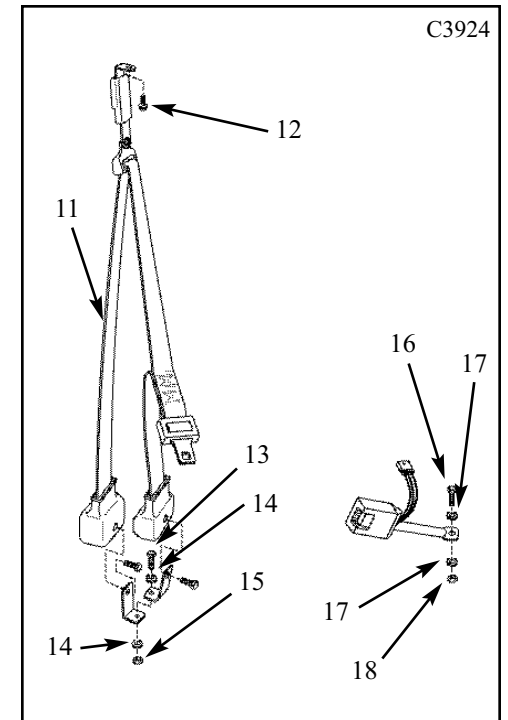
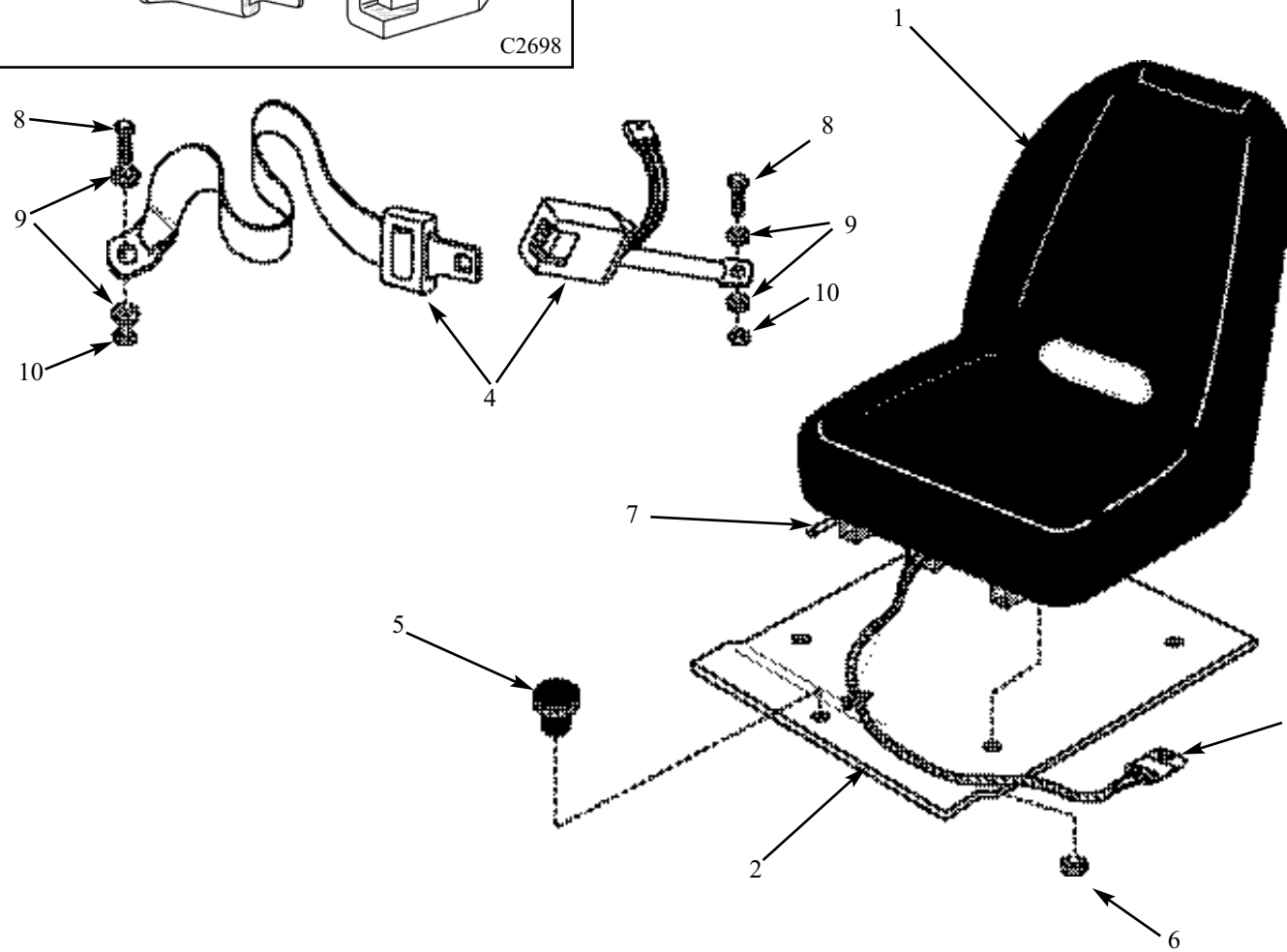
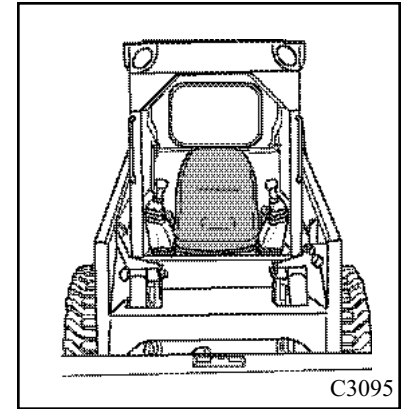
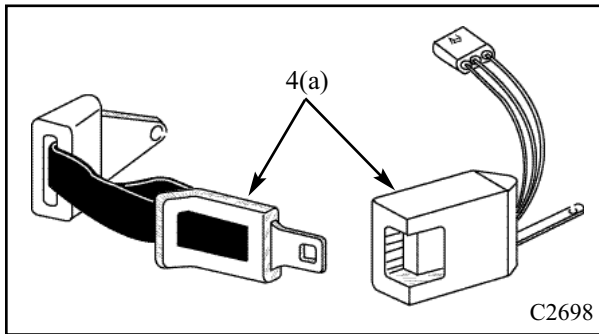
ITEM	PART	QTY	DESCRIPTION
1.	044061SP	2	Pin, Boom Support
2.	002010SP	2	Grease Fitting
3.	001350SP	2	Nut, Hex
4.	040337SP	2	Bar, Lock Pin Handle
5.	001190SP	2	Bolt, Hex
6.	001870SP	2	Washer, Lock
7.	001651SP	2	Washer, Flat
8.	042490SP	1	Spring
9.	039546SP	2	Knob, Tapered Red
10.	038797SP	1	Panel, Boom Support
11.	006086SP	2	Nut, Captive



ITEM	PART	QTY	DESCRIPTION
1(a).	963266SP	1	Step Shield Assy, Hand Controls
1(b).	044797SP	1	Sheet, Step Shield, Foot Operated Controls
2.	017422SP	2	Bolt, Hex
3.	002663SP	4	Bolt, Hex
4.	001642SP	14	Washer, Lock
5.	001643SP	14	Washer, Flat
6.	048924SP	1	Spring, Gas 100 lb.
7.	043005SP	2	Stud, Ball
8.	000820SP	A/R	Edging, Vinyl
9.	001870SP	8	Washer, Lock
10.	001190SP	8	Bolt, Hex
11.	001651SP	8	Washer, Flat
12.	006086SP	4	Nut, Captive
13.	025762SP	1	Shield, Front Step
14.	047150SP	1	Plate, Rear Access Cover
15.	001387SP	10	Bolt, Hex
16.	041791SP	3	Knob, Black w/ Brass Insert
17.	041704SP	3	Bar, Stud
18.	963106SP	1	Front Bulkhead Assembly
19.	041619SP	1	Sheet, Seat Mount
20.	001193SP	2	Bolt, Hex
21.	032070SP	1	Sheet, Clean Up Cover
22.	015931SP	per/ft	Foam weather strip
23.	964539SP	1	Engine Cover Assembly
24.	000821SP	A/R	Molding, Trim Seal
25.	000261SP	per/ft	Hose
26.	039557SP	4	Clamp, Tube Single
27.	039556SP	2	Plate, Cover Single
28.	001650SP	4	Washer, Flat
29.	031744SP	4	Screw, Hex Head
30.	051203SP	1	Sheet, Rear Shield

SEAT & SEAT BELT

1.8

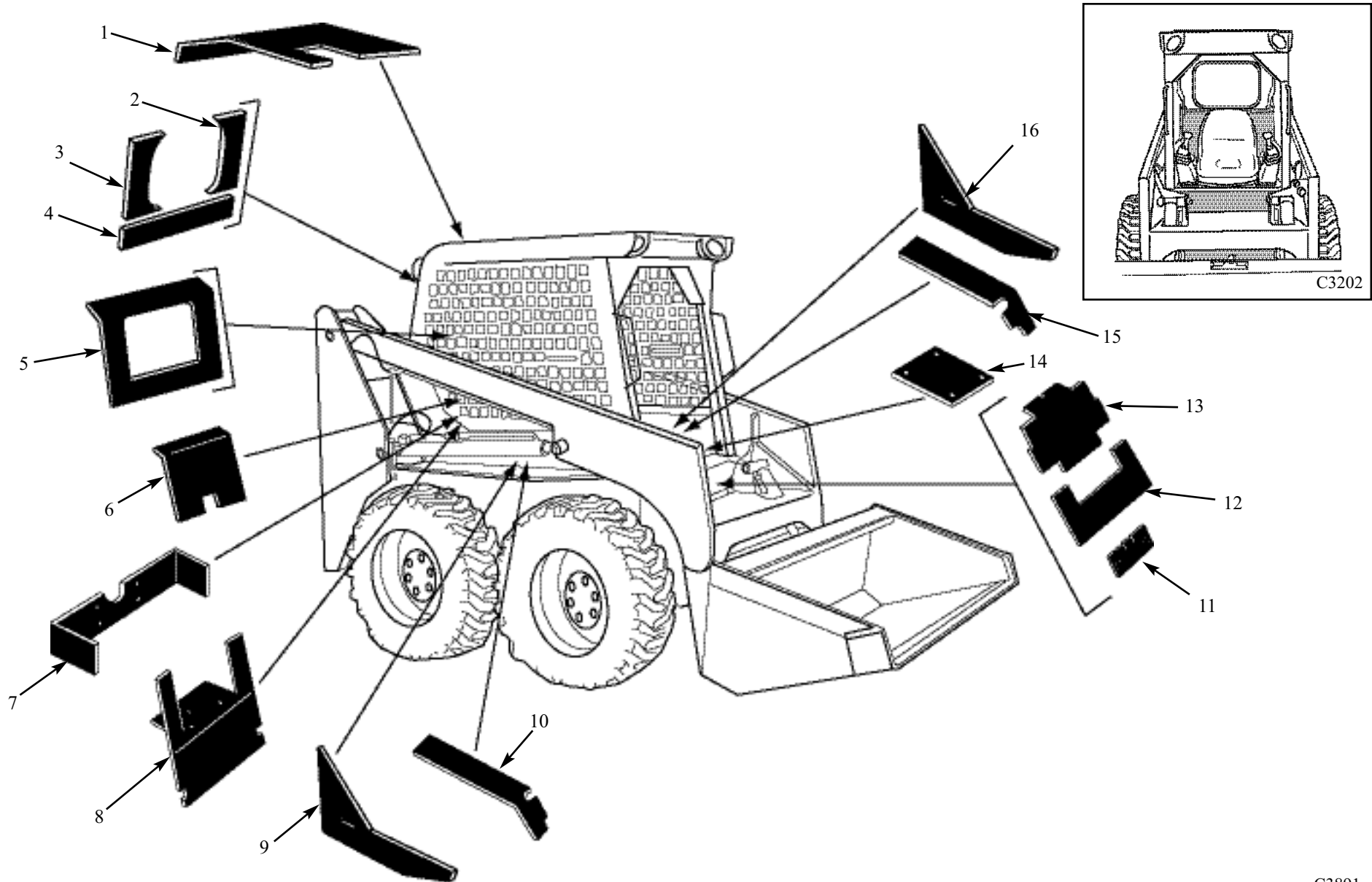


C3237

ITEM	PART	QTY	DESCRIPTION
1.	038600SP	1	Seat, Assembly w/o Logo
2.	041619SP	1	Sheet, Seat Mount
3.	039904SP	1	Harness, Seat Switch Wire
	038516SP	1	Switch, Seat
4.	047422SP	1	Belt, Safety 2" (Non-Retractable)
	038569SP	1	Belt, Safety 3" (Non-Retractable)(Optional)
4(a).	048275SP	1	Belt, Safety 2" (Retractable)(Optional) (Standard on CE Loader)
	048276SP	1	Belt, Safety 3" (Retractable)(Optional)
5.	042070SP	1	Knob, Black w/ Stud
6.	043558SP	4	Nut, Hex
7.	042931SP	1	Adjusters, Seat Rail Assy.
8.	001193SP	2	Bolt, Hex
9.	001643SP	4	Washer, Flat
10.	007465SP	2	Nut, Nylok
11.	049047SP	1	Belt, Safety 2" 3 Point Retractable w/Safety Wiring (Standard on 255 Models)
12.	043560SP	1	Bolt, Hex Flange 1/2 x 1 1/2
13.	001387SP	1	Bolt, Hex 3/8 x 1 1/4
14.	001643SP	2	Washer, Flat 3/8
15.	007465SP	1	Nut, Nylok 3/8
16.	001193SP	1	Bolt, Hex 3/8 x 1
17.	001643SP	2	Washer, Flat 3/8
18.	007465SP	1	Nut, Nylok 3/8

INSULATION (Standard)

1.9 (A)

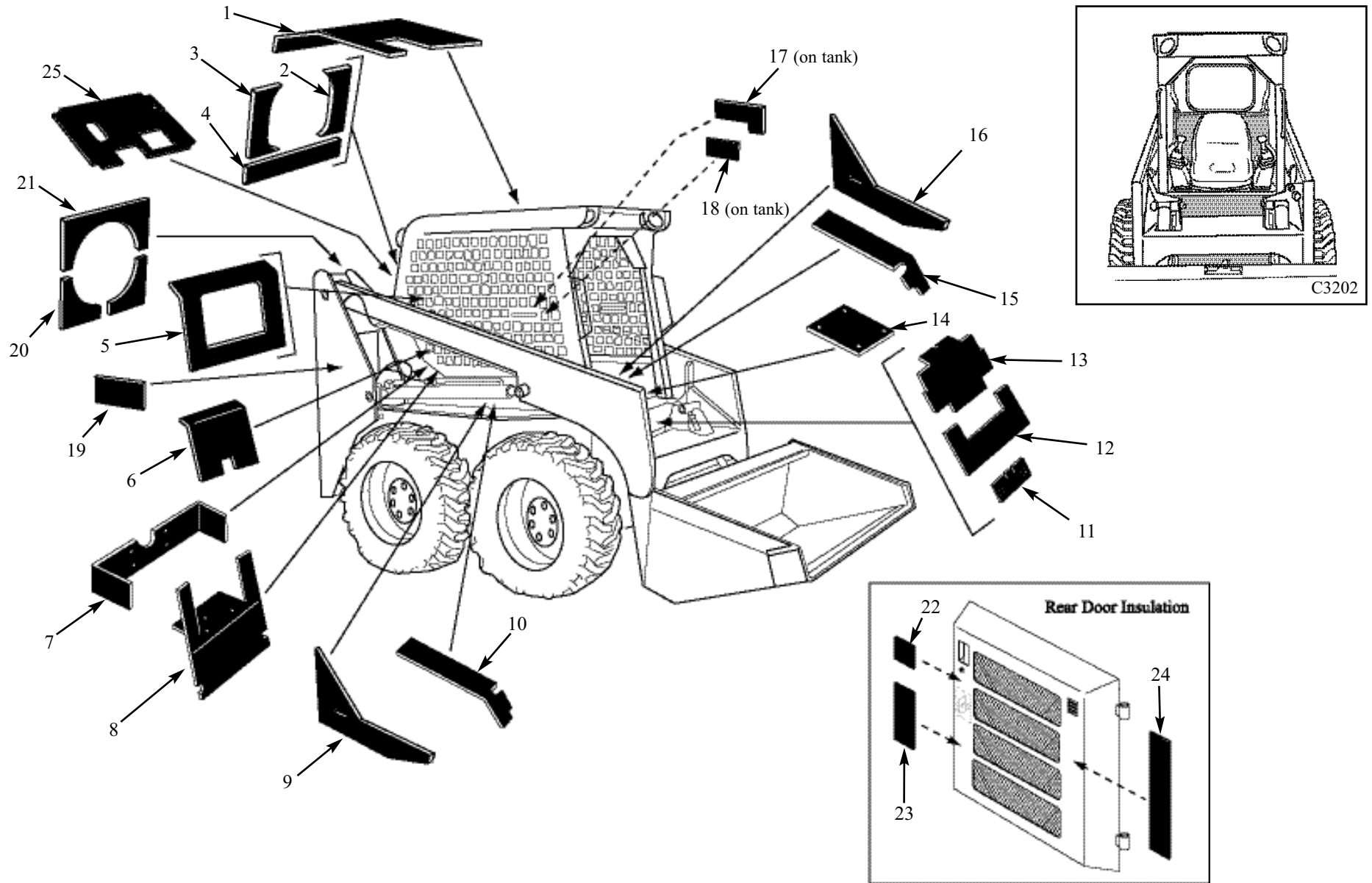


ITEM	PART	QTY	DESCRIPTION
1.	049052SP	1	Insulation, Headliner (*In Optional Kit)
2.	047394SP	1	Insulation, Left Rear Cornerpost (*In Optional Kit)
3.	047395SP	1	Insulation, Right Rear Cornerpost (*In Optional Kit)
4.	047393SP	1	Insulation, Lower Rear Window Panel (*In Optional Kit)
5.	048023SP	1	Insulation, Back Panel (*In Optional Kit)
6.	047392SP	1	Insulation, Battery Compartment Cover (*In Optional Kit)
7.	047412SP	1	Insulation, Outer Blanket
8.	047411SP	1	Insulation, Battery Box Blanket
9.	048022SP	1	Insulation, Right Side Panel (*In Optional Kit)
10.	047410SP	1	Insulation, ROPS Shield RH
11.	047965SP	1	Insulation, Front Frame
12.	047964SP	1	Insulation, Front Shield
13.	047406SP	1	Insulation, Front Bulkhead
14.	047404SP	1	Insulation, Seat Mount
15.	047409SP	1	Insulation, ROPS Shield LH
16.	048021SP	1	Insulation, Left Side Panel (*In Optional Kit)

* Items in the optional Cab Liner Kit are also listed in Section 8.24.

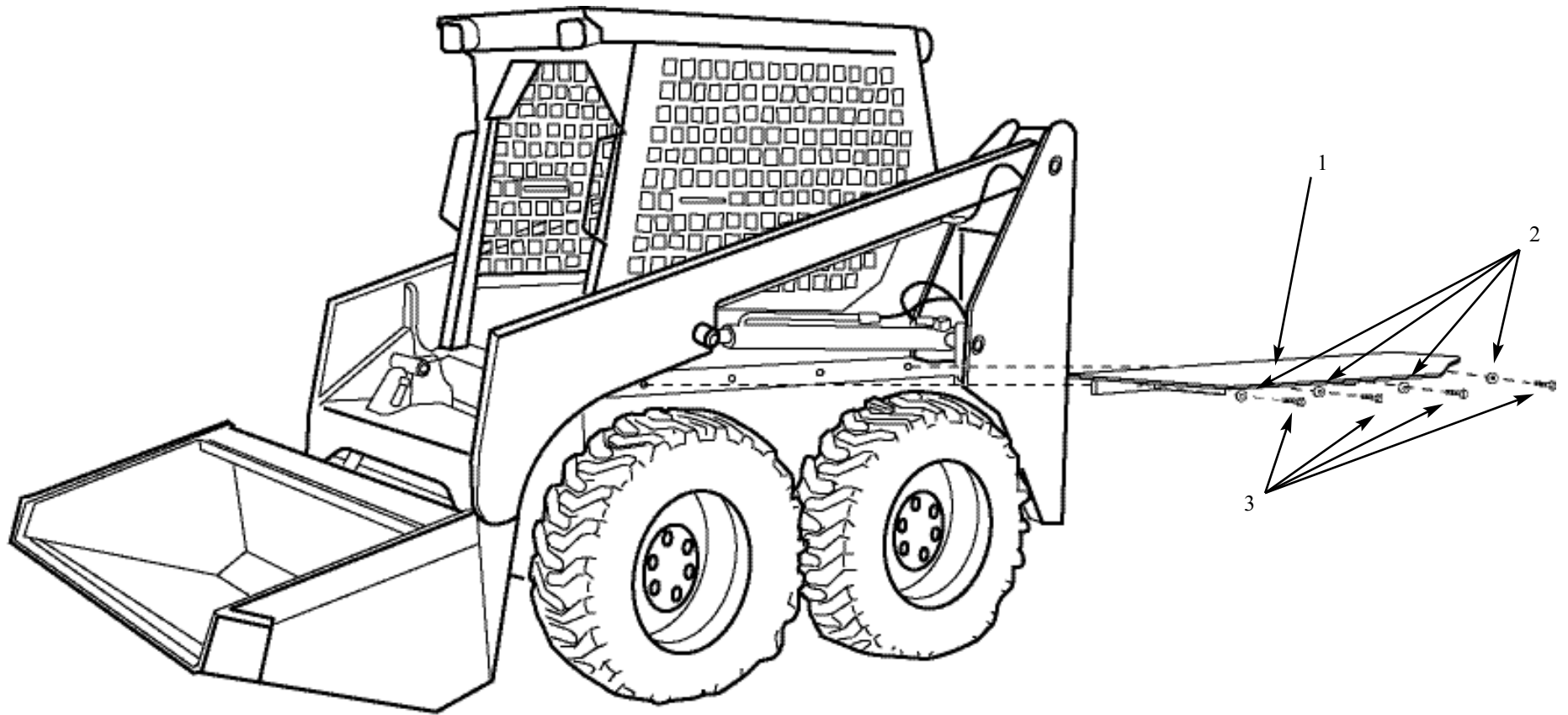
INSULATION (CE Models)

1.9 (B)



C4051

ITEM	PART	QTY	DESCRIPTION
1.	049052SP	1	Insulation, Headliner
2.	047394SP	1	Insulation, Left Rear Cornerpost
3.	047395SP	1	Insulation, Right Rear Cornerpost
4.	047393SP	1	Insulation, Lower Rear Window Panel
5.	048023SP	1	Insulation, Back Panel
6.	047392SP	1	Insulation, Battery Compartment Cover
7.	047412SP	1	Insulation, Outer Blanket
8.	047411SP	1	Insulation, Battery Box Blanket
9.	048022SP	1	Insulation, Right Side Panel
10.	047410SP	1	Insulation, ROPS Shield RH
11.	047965SP	1	Insulation, Front Frame
12.	047964SP	1	Insulation, Front Shield
13.	047406SP	1	Insulation, Front Bulkhead
14.	047404SP	1	Insulation, Seat Mount
15.	047409SP	1	Insulation, ROPS Shield LH
16.	048021SP	1	Insulation, Left Side Panel
17.	049255SP	1	Insulation, Tank LH
18.	049256SP	1	Insulation, Cover Oil Tank
19.	049254SP	1	Insulation, Tank RH
20.	049263SP	2	Insulation, Shroud Bottom
21.	049262SP	1	Insulation, Shroud Top
22.	049257SP	1	Insulation, Rear Door LH Top
23.	049258SP	1	Insulation, Rear Door LH Bottom
24.	049259SP	1	Insulation, Rear Door RH
25.	049253SP	1	Insulation, Engine Cover



ITEM	PART	QTY	DESCRIPTION
*	U-2961	1	Kit, Fenders:
1.	964606SP	1	Fender, Welded Assy - LH
*	964605SP	1	Fender, Welded Assy - RH
2.	001361SP	6	Washer, Flat 5/8
3.	044103SP	6	Bolt, Hex Flange 1/2 x 3/4

WHEELS and TIRES

1.11

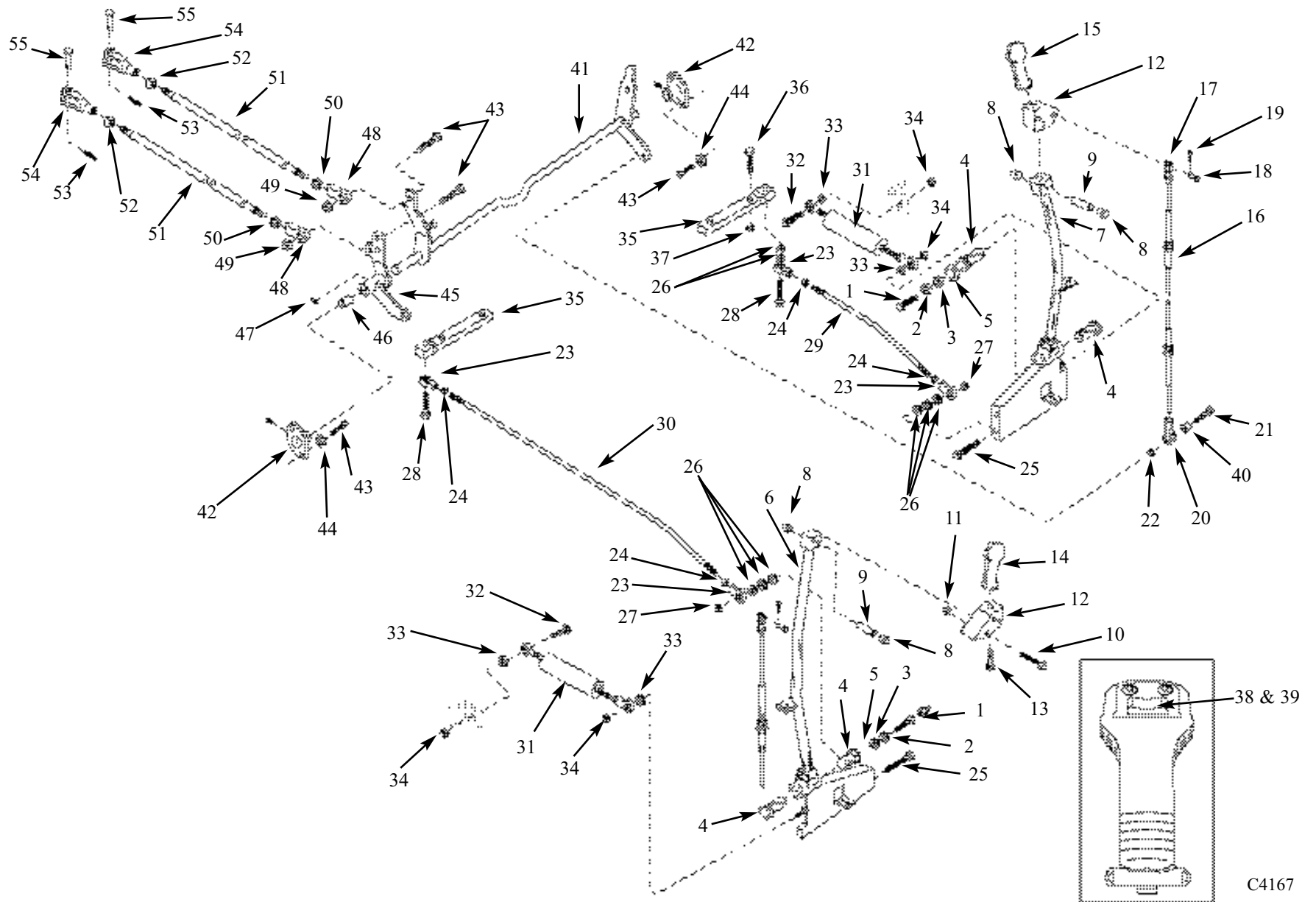
PART	QTY	DESCRIPTION
963425SP	1	Kit, Tire 12 x 16.5, 2000 Series
046438SP	2	Wheel & Tire Assy RH, 12 x 16.5, 8 Bolt
046435SP	1	Tire, 12 x 16.5 2000 Series 8 Ply Tubeless
029064SP	1	Wheel, 9.750 x 16.50 8 Bolt Negative (-) 2.25"
007019SP	1	Stem, Valve, Tubeless
046439SP	2	Wheel & Tire Assy LH, 12 x 16.5, 8 Bolt
046435SP	1	Tire, 12 x 16.5 2000 Series 8 Ply Tubeless
029064SP	1	Wheel, 9.750 x 16.50 8 Bolt Negative (-) 2.25"
007019SP	1	Stem, Valve, Tubeless
005832SP	32	Nut, Wheel

2. CONTROLS

Control Levers - Hand Controls.....	2.1(A)
Control Levers - Hand and Foot Controls.....	2.1(B)
Foot Pedals - Hand and Foot Controls.....	2.2
Throttle.....	2.3
Restraint Bar.....	2.4

CONTROL LEVERS - Hand Controls

2.1(A)



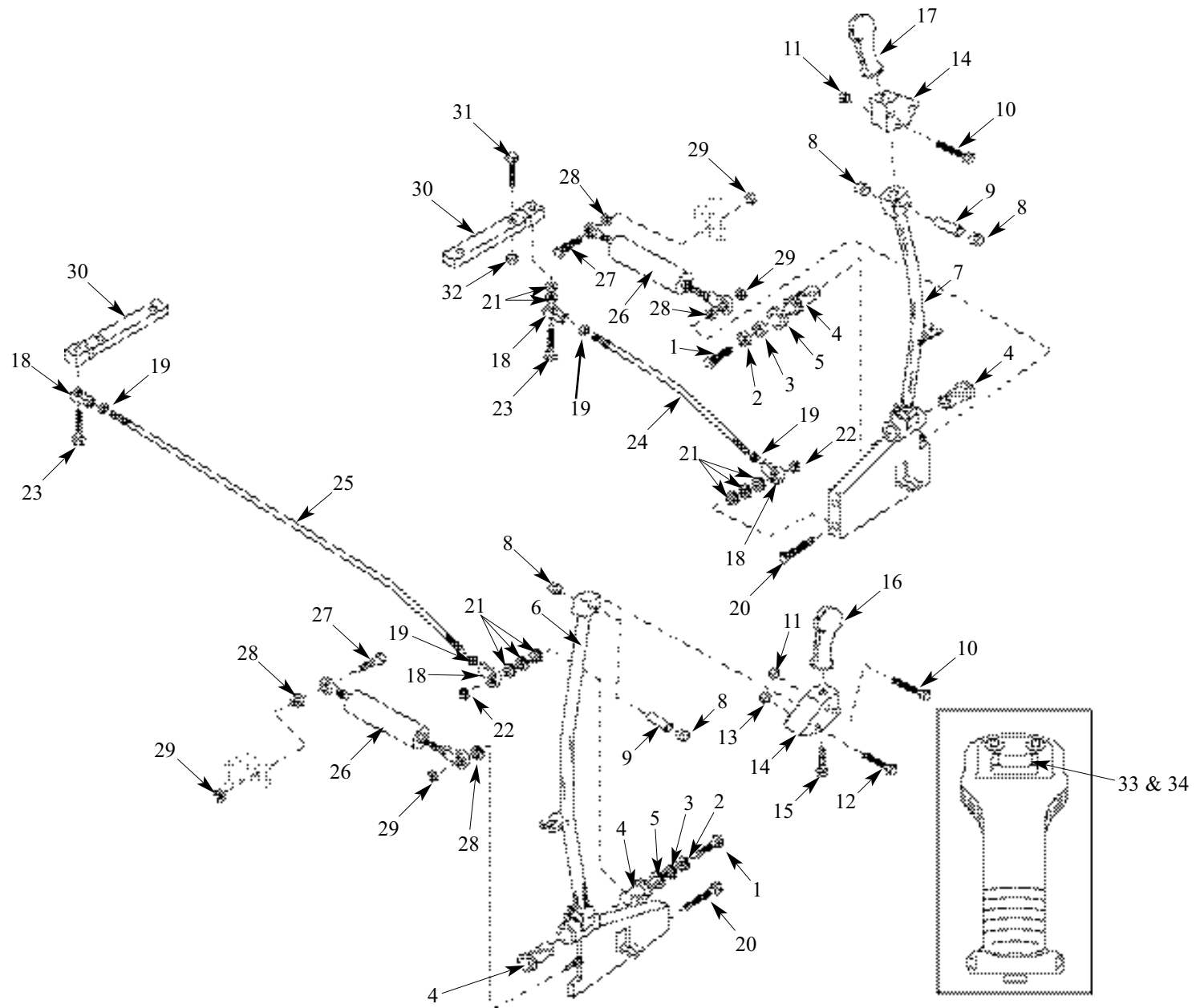
ITEM	PART	QTY	DESCRIPTION	ITEM	PART	QTY	DESCRIPTION
1.	001673SP	2	Bolt, Hex 3/8 x 3/4	40.	051108SP	1	Bar, Spacer
2.	001643SP	2	Washer, Flat 3/8	41.	964535SP	1	Assembly, Control Cross Shaft
3.	001642SP	2	Washer, Lock 3/8	42.	044979SP	2	Bearing, Flanged, 2-Bolt
4.	044347SP	4	Bushing, Flange 1" ID Nylon Split	43.	002580SP	6	Bolt, Hex 5/16" x 1 1/4"
5.	029384SP	2	Washer, Fender 3/8	44.	001870SP	4	Washer, Lock 5/16"
6.	963349SP	1	Lever, RH Control Welded Assembly	45.	963900SP	1	Activator, RH Assembly
7.	963348SP	1	Lever, LH Control Welded Assembly	46.	047760SP	2	Bronze Bushing
8.	044348SP	4	Bushing, Flange 7/16 x 9/16 Oilite	47.	035449SP	1	Grease Fitting
9.	044349SP	2	Tube, Handle Spacer	48.	026174SP	2	Rod End Assembly
10.	001677SP	2	Bolt, Hex 5/16" x 2"	49.	016771SP	2	Nut, Nylok, Hex 5/16"
11.	016771SP	2	Nut, Nylok, Hex 5/16"	50.	001626SP	2	Nut, Hex 5/16"
12.	962874SP	2	Lever Base Welded Assembly	51.	051013SP	2	Bar, Valve Control Rear
13.	044513SP	2	Bolt, Ergonomic Handle (With Hole)	52.	005405SP	2	Nut, Hex 1/4"
	046353SP	2	Bolt, Hex (No Hole)	53.	001630SP	2	Pin, Cotter
14.	044181SP	1	Handle, Ergonomic Plain	54.	035884SP	2	Clevis
15.	044182SP	1	Handle, Ergonomic w/Rocker & 2 PB Switches	55.	030044SP	2	Pin, Clevis
16.	049089SP	2	Cable, Push/Pull 31"	*	044384SP	1	Sheet, Lever Boot Cover RH
17.	035884SP	2	Clevis, 1/4" Pin	*	044385SP	1	Sheet, Lever Boot Cover LH
18.	030044SP	2	Pin, Clevis 1/4" x 3/4"	*	047012SP	2	Boot, Rubbber Bellows, Control Lever
19.	001630SP	2	Pin, Cotter 1/16" x 3/4"				
20.	035883SP	2	Rod End Assembly				
21.	005170SP	1	Bolt, Hex 1/4" x 1 - RH				
	002454SP	1	Bolt, Hex 1/4 x 1 1/2" - LH				
22.	006645SP	2	Nut, Nylok 1/4"				
23.	042207SP	4	Rod End Assembly				
24.	005406SP	4	Nut, Hex 7/16"				
25.	002443SP	2	Bolt, Hex 7/16" 1 1/4"				
26.	006394SP	10	Washer, Lock 7/16"				
27.	043384SP	2	Nut, Nylok 7/16"				
28.	002008SP	2	Hex, Bolt 7/16" x 2"				
29.	046299SP	1	Bar, CF RD Linkage LH				
30.	046300SP	1	Bar, CF RD Linkage RH				
31.	959073SP	2	Hydroback Assembly				
32.	001672SP	2	Bolt, Hex 3/8" 1 1/2"				
33.	021174SP	4	Washer, 3/8" x 5/8"				
34.	007465SP	4	Nut, Nylok 3/8				
35.	963344SP	2	Pintle Lever Assembly				
36.	001677SP	4	Bolt, Hex 5/16" x 2"				
37.	016771SP	4	Nut, Nylok, Hex 5/16"				
38.	048467SP	1	Switch, Rocker				
39.	048468SP	1	Cover, Rocker Switch Rubber				

* Items not shown.

** Hand Controls standard on CE models.

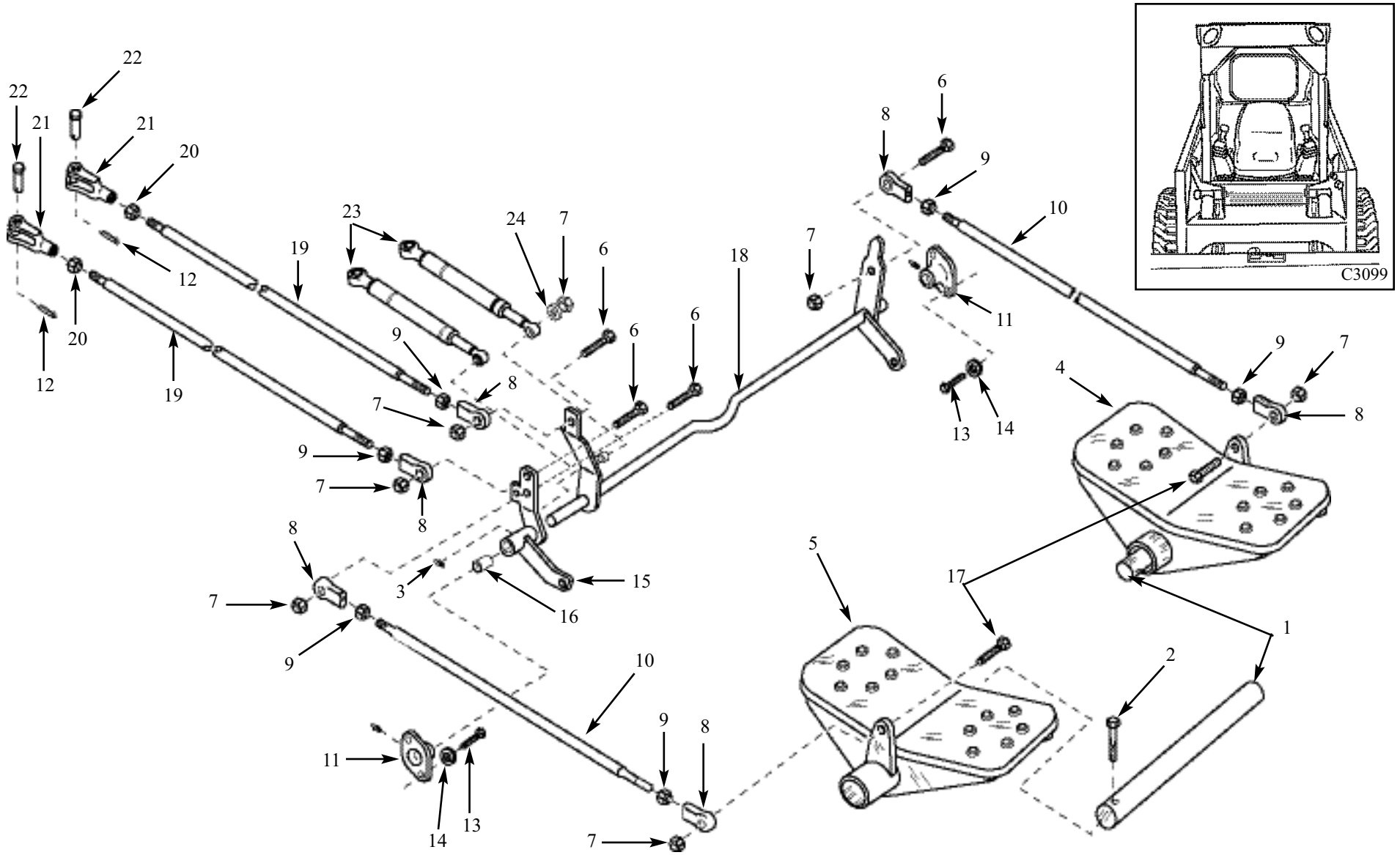
CONTROL LEVERS - Hand and Foot Controls

2.1(B)



ITEM	PART	QTY	DESCRIPTION
1.	001673SP	2	Bolt, Hex 3/8 x 3/4
2.	001643SP	2	Washer, Flat 3/8
3.	001642SP	2	Washer, Lock 3/8
4.	044347SP	4	Bushing, Flange 1" ID Nylon Split
5.	029384SP	2	Washer, Fender 3/8
6.	963349SP	1	Lever, RH Control Welded Assembly
7.	963348SP	1	Lever, LH Control Welded Assembly
8.	044348SP	4	Bushing, Flange 7/16 x 9/16 Oilite
9.	044349SP	2	Tube, Handle Spacer
10.	025589SP	2	Bolt, Hex 1/4 x 1 3/4
11.	023772SP	2	Nut, Jam, Locking 1/4
12.	001677SP	2	Bolt, Hex, 5/16 x 2
13.	016771SP	2	Nut, Nylok, Hex 5/16
14.	962874SP	2	Lever Base Welded Assembly
15.	044513SP	2	Bolt, Ergonomic Handle (With Hole)
	046353SP	2	Bolt, Hex (No Hole)
16.	044181SP	1	Handle, Ergonomic Plain
17.	044182SP	1	Handle, Ergonomic w/Rocker & 2 PB Switches
18.	042207SP	4	Rod End Assembly (Hand Control Loaders)
19.	005406SP	4	Nut, Hex 7/16
20.	002443SP	2	Bolt, Hex 7/16 x 1 1/4
21.	006394SP	10	Washer, Lock 7/16
22.	043384SP	2	Nut, Nylok 7/16"
23.	002008SP	2	Hex, Bolt 7/16 x 2
24.	046299SP	1	Bar, CF RD Linkage LH
25.	046300SP	1	Bar, CF RD Linkage RH
26.	959073SP	2	Hydroback Assembly
27.	001672SP	2	Bolt, Hex 3/8 x 1 1/2
28.	021174SP	4	Washer, 3/8 x 5/8
29.	007465SP	4	Nut, Nylok 3/8
30.	963344SP	2	Pintle Lever Assembly
31.	001677SP	4	Bolt, Hex 5/16 x 2
32.	016771SP	4	Nut, Nylok, Hex 5/16
33.	048467SP	1	Switch, Rocker
34.	048468SP	1	Cover, Rocker Switch Rubber
*	044384SP	1	Sheet, Lever Boot Cover RH
*	044385SP	1	Sheet, Lever Boot Cover LH
*	047012SP	2	Boot, Rubber Bellows, Control Lever

* Items not shown.

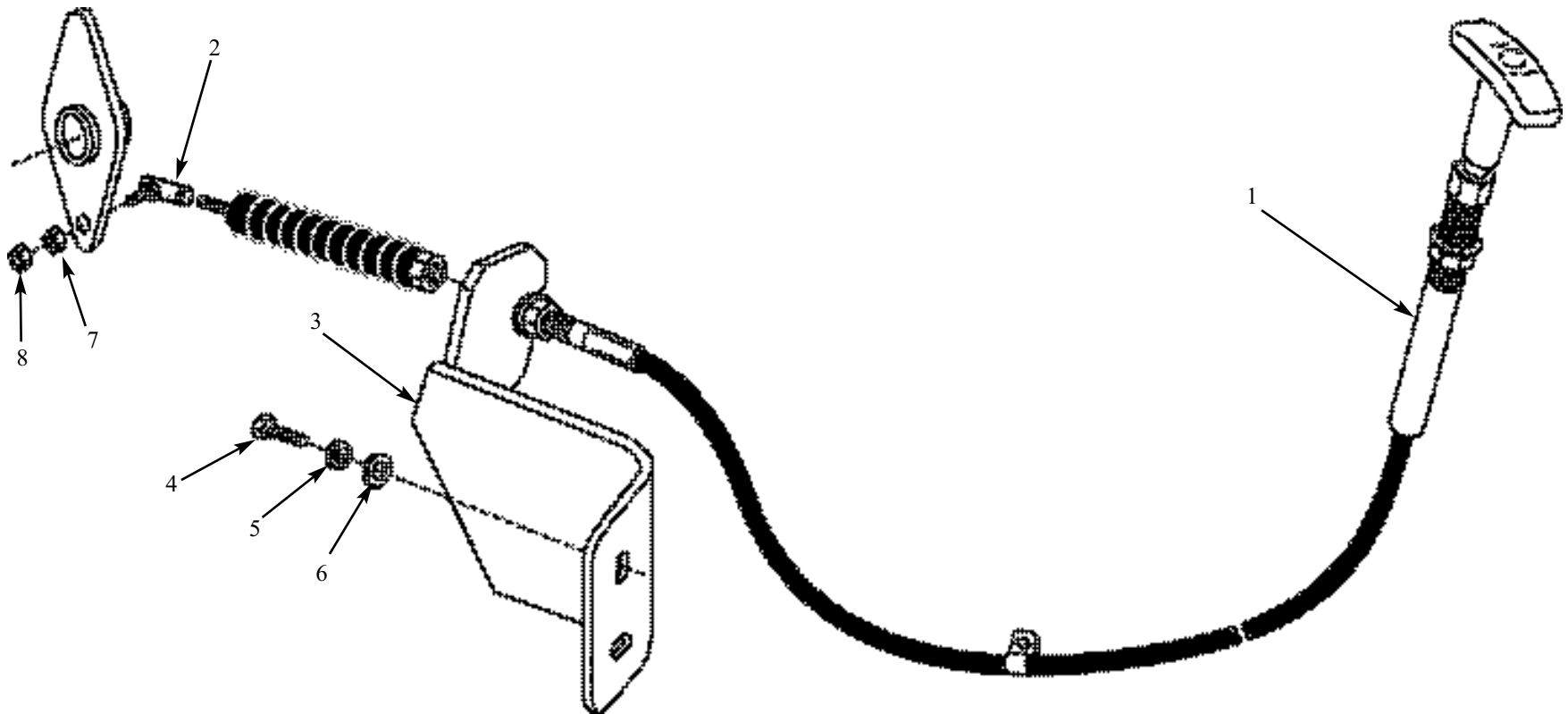
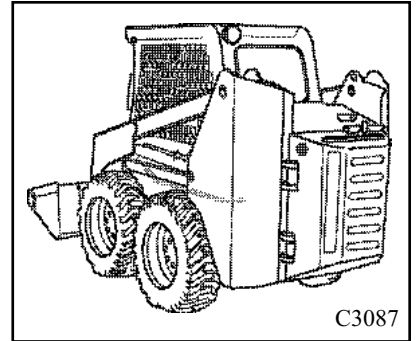


ITEM	PART	QTY	DESCRIPTION
1.	044789SP	2	Bar, Foot Pedal Shaft
2.	046106SP	2	Screw
3.	035449SP	1	Grease fitting
4.	963832SP	1	Pedal, Lift Assy.
5.	963059SP	1	Pedal, Tilt Assy.
6.	002580SP	4	Bolt, Hex
7.	016771SP	8	Nut, Nylok
8.	026174SP	6	Rod End Assy.
9.	001626SP	6	Nut, Hex
10.	051014SP	2	Bar, Valve Control Front
11.	044979SP	2	Bearing, Flanged, 2-Bolt
12.	001630SP	2	Pin, Cotter
13.	002580SP	4	Bolt, Hex
14.	001870SP	4	Washer, Lock
15.	963900SP	1	Activator, RH Assy.
16.	047760SP	2	Bronze Bushing
17.	046159SP	2	Bolt, Carriage
18.	964535SP	1	Assy, Control Cross Shaft
19.	051013SP	2	Bar, Valve Control Rear
20.	005405SP	2	Nut
21.	035884SP	2	Clevis
22.	030044SP	2	Pin, Clevis
23.	047371SP	2	Dampener, Self Centering
24.	001870SP	2	Lock Washer
*	001364SP	1	Bolt, Hex (Rear Limiter Bolt)
*	023901SP	1	Bolt, Hex (Front Limiter Bolt)
*	001194SP	2	Nut, Hex (for Limiter Bolts)

* Items not shown in diagram.

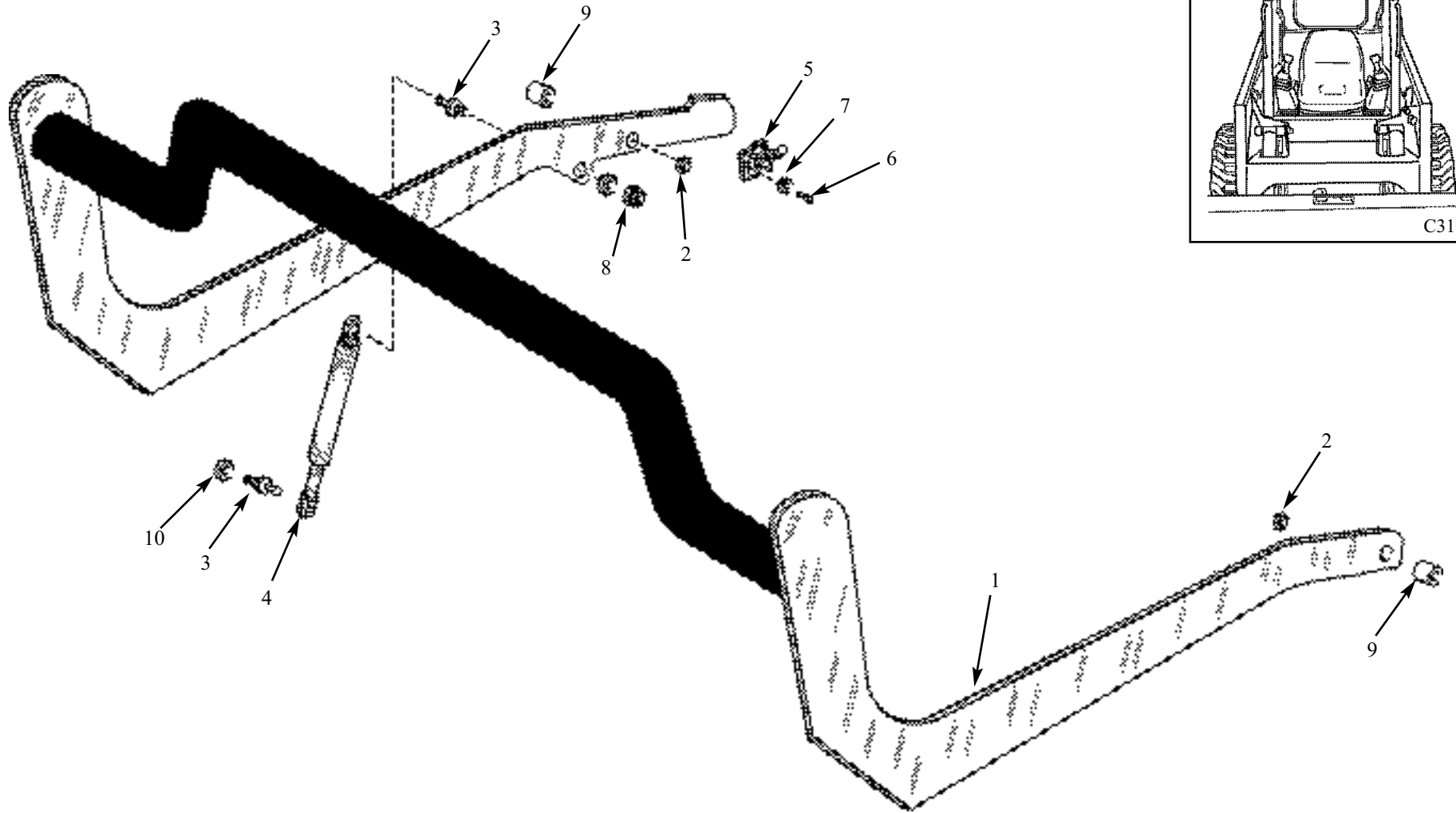
THROTTLE

2.3



C3343

ITEM	PART	QTY	DESCRIPTION
1.	043840SP	1	Cable, Turn-to-Lock 68"
2.	042047SP	1	Joint, Ball Socket
3.	963108SP	1	Throttle Bracket Assy.
4.	024790SP	2	Bolt, Hex
5.	021028SP	2	Washer, Lock
6.	001643SP	2	Washer, Flat
7.	001350SP	1	Nut
8.	023772SP	1	Nut, Jam



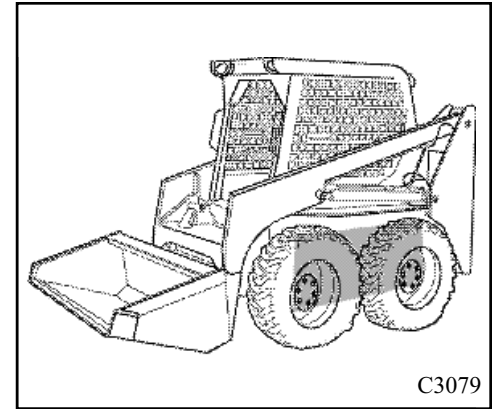
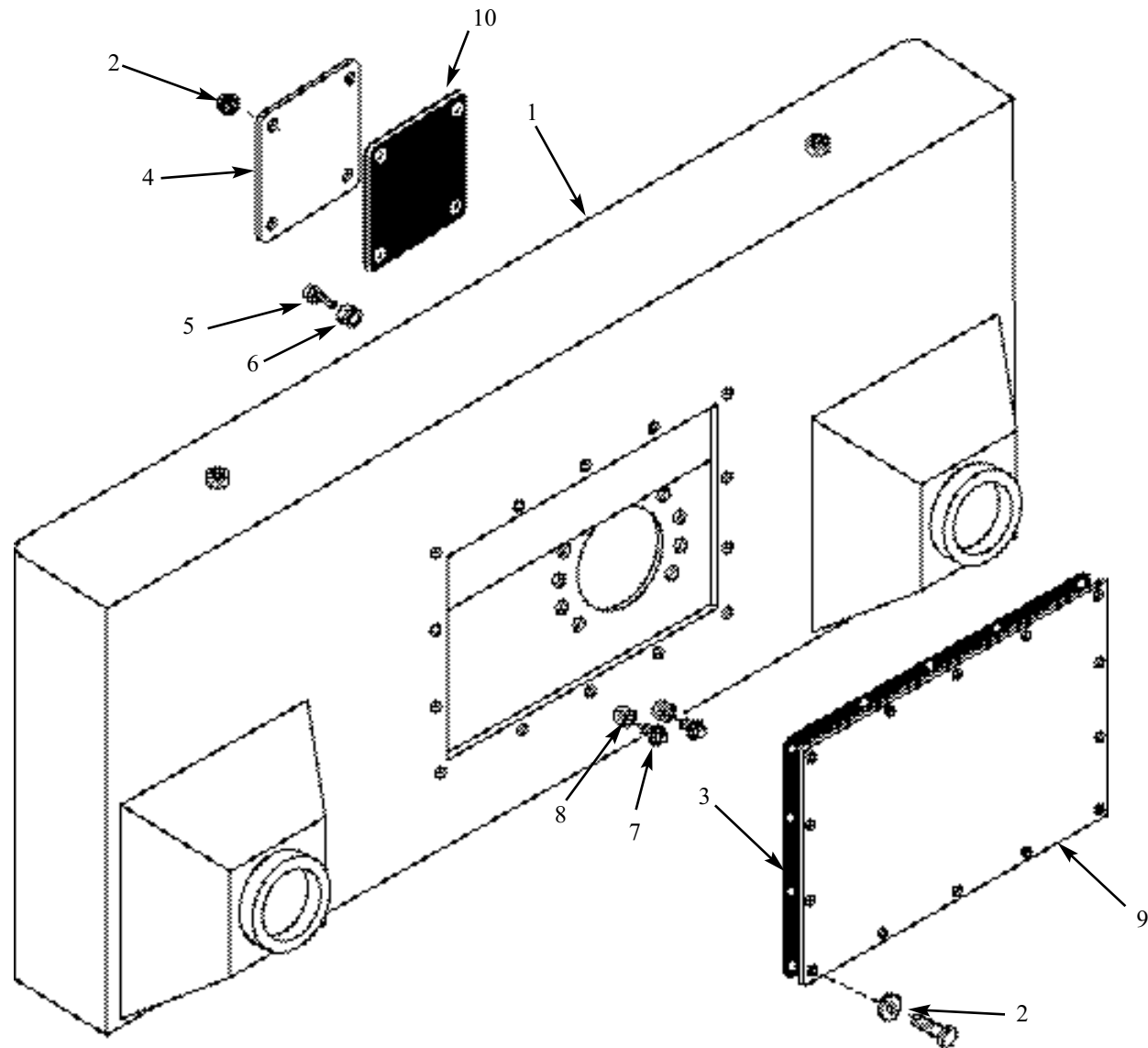
ITEM	PART	QTY	DESCRIPTION
1.	964600SP	1	Restraint Bar Assy.
2.	008613SP	2	Nut, Nylok
3.	043005SP	2	Stud, Ball
4.	043004SP	1	Gas, Spring
5.	042950SP	1	Switch, Dual
6.	023194SP	2	Screw, Machine
7.	002811SP	2	Washer, Lock
8.	026172SP	1	Nut, Jam
9.	040320SP	2	Spacer
10.	001870SP	1	Lockwasher

3. FINAL DRIVE TRANSMISSION

Transmission Housing.....	3.1
Axle Assembly	3.2

TRANSMISSION HOUSING

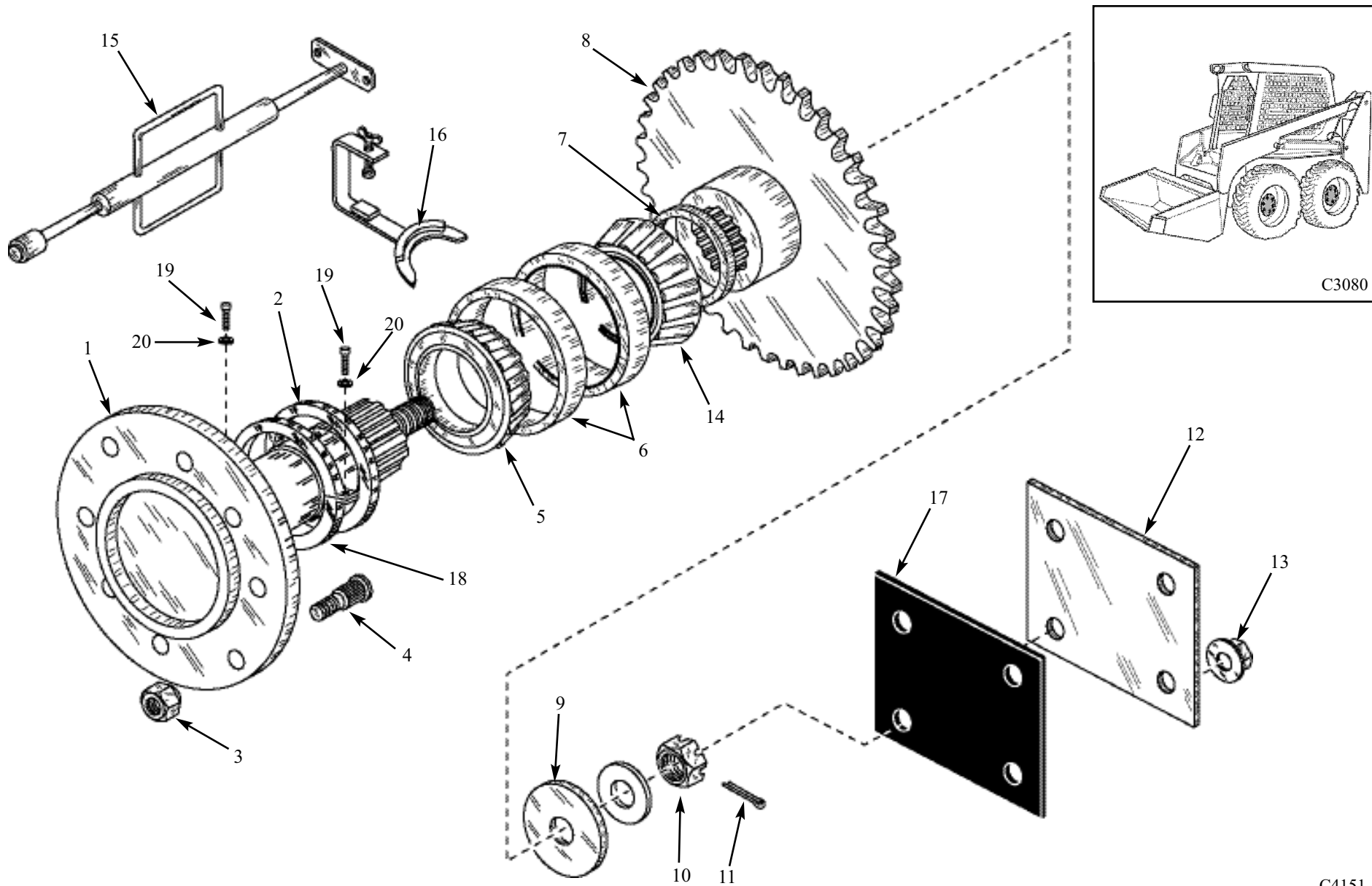
3.1



C4150

ITEM	PART	QTY	DESCRIPTION
1.	964353SP	1	Transmission Welded Assembly, RH
1.	964354SP	1	Transmission Welded Assembly, LH
2.	043558SP	44	Nut, Hex Flanged
3.	046455SP	1	Gasket, Transmission Inspection Cover
4.	051119SP	4	Sheet, Axle Cover
5.	006377SP	2	Plug, Vented
6.	952766SP	2	Bushing, Breather Reducing
7.	044357SP	4	Plug, Drain
8.	044358SP	4	Washer, Nylon
9.	044148SP	2	Sheet, Cover
10.	049270SP	4	Gasket, Transmission Axle cover

* Diagram shows LH side of Transmission Housing only.



ITEM	PART	QTY	DESCRIPTION
1.	964349SP	1	Axle Assembly (4 required)
2.	029029SP	1	Seal
3.	005832SP	8	Nut, Wheel
4.	026188SP	8	Stud, Wheel
5.	026509SP	1	Bearing, Cone 2.625"
6.	026510SP	2	Bearing, Cup 4.4375"
7.	025618SP	1	Plate, Axle Spacer
8.	048346SP	1	Sprocket, 27T100 Axle
9.	048355SP	1	Plate, Axle Washer
10.	014877SP	1	Nut, Castle
11.	001386SP	1	Pin, Cotter
12.	051119SP	1	Sheet, Axle Cover
13.	043558SP	4	Nut, Hex, Flange
14.	048917SP	1	Bearing, Cone 2.500"
15.	960475SP	1	Axle Puller
16.	964613SP	2	Seal Installation Tool, 2 Required
17.	049270SP	1	Gasket, Transmission Axle cover
18.	051496SP	1	Plate, Axle Seal
19.	049612SP	2	Screw, Cap 1/4" UNC
20.	002279SP	2	Washer, Lock 1/4" PL

Chains and Connecting Links (per side)

*	048366SP	1	Chain, RS100H Solid Roller, 66 Pitches
*	048365SP	1	Chain, RS100H Solid Roller, 52 Pitches
*	044905SP	2	Connecting, Link, #100H

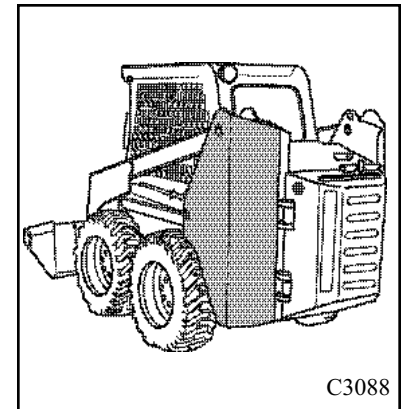
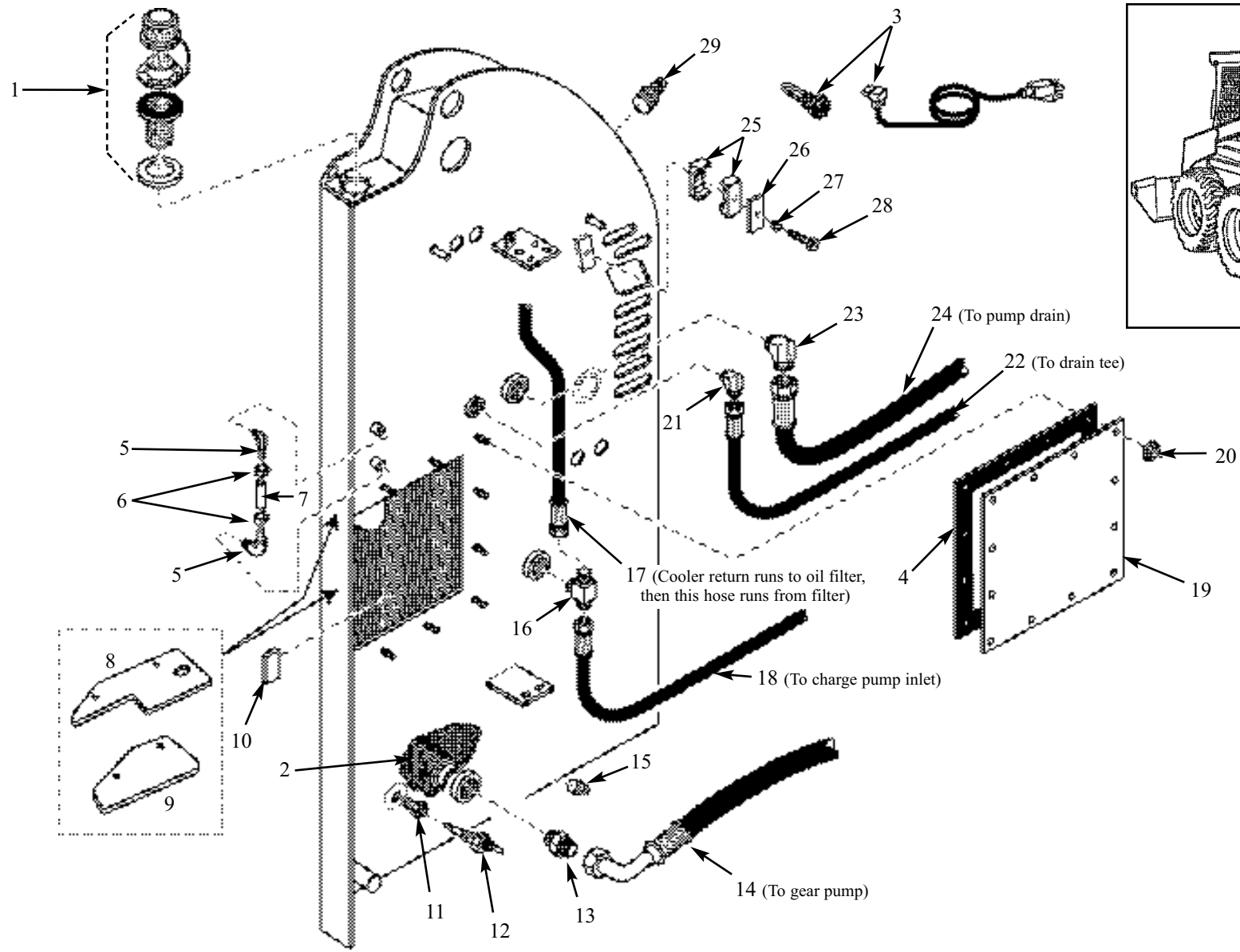
** Quantities listed are per axle assembly.

4. HYDRAULIC SYSTEM

Oil Reservoir	4.1
Hydraulic Oil Filter	4.2
Boom Lift Circuit (Standard)	4.3 (A)
Boom Lift Circuit (w/ Optional Self Level Valve).....	4.3 (B)
Fan / Radiator / Oil Cooler (up to S/N LR000185)	4.4 (A)
Fan / Radiator / Oil Cooler (S/N LR000186 onward)	4.4 (A)
Lift Cylinder (250 Models)	4.5 (A)
Lift Cylinder (255 Models).....	4.5 (B)
Bucket Tilt Circuit (Standard)	4.6 (A)
Bucket Tilt Circuit (w/ Optional Self Level Valve)	4.6 (B)
Tilt Cylinder (250 Models).....	4.7 (A)
Tilt Cylinder (255 Models).....	4.7 (B)
Auxiliary Circuit	4.8
Control Valve	4.9
Accumulator	4.10

OIL RESERVOIR

4.1

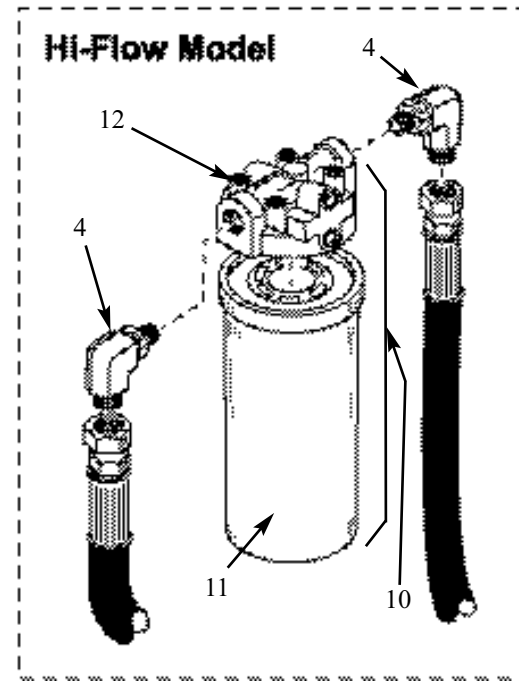
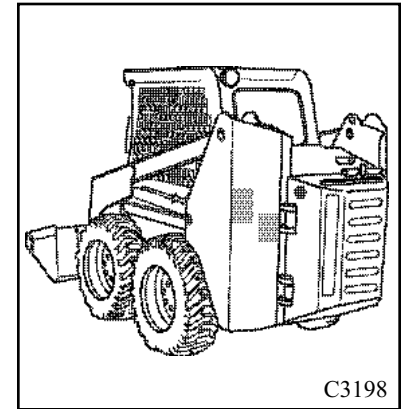
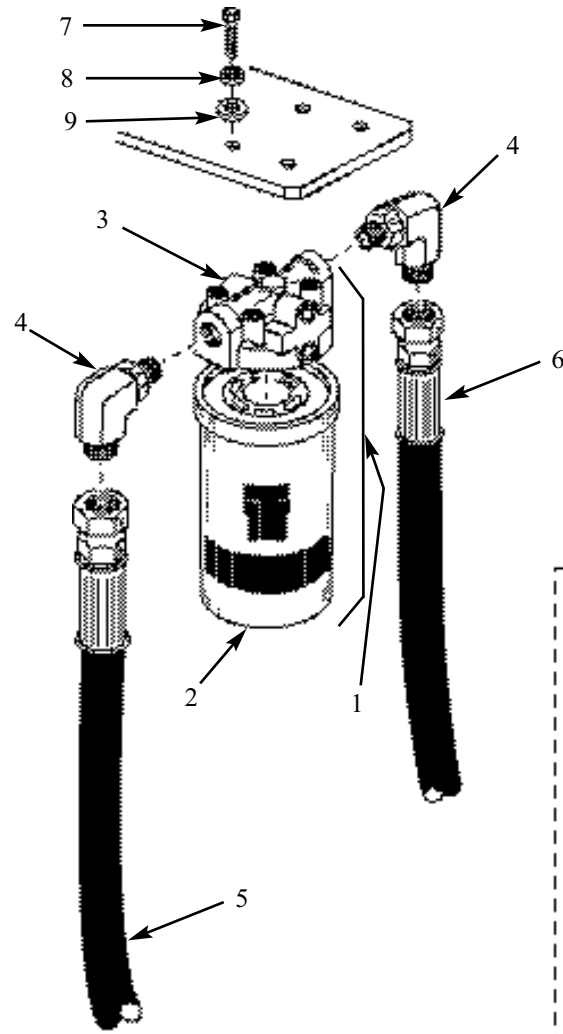


C3088

C3850

ITEM	PART	QTY	DESCRIPTION
1.	026202SP	1	Pressurized Filler Cap
2.	014898SP	1	Element, Hydraulic Oil Suction
3.	030549SP	1	Heater, Hydraulic Oil (Optional)
4.	046456SP	1	Gasket, Oil Tank Inspection Cover
5.	034903SP	2	Elbow, 90°
6.	034919SP	2	Clamp, Circle Two Ear
7.	000698SP	0.354 ft.	Tube, Clear Vinyl
8.	048447SP	1	Sheet, Baffle Top
9.	048448SP	1	Sheet, Baffle Bottom
10.	032478SP	1	Magnet, Hydraulic Oil Tank
11.	037208SP	1	Bushing, Reducing
12.	037206SP	1	Switch, Temperature Sender
13.	049065SP	1	Connector
14.	964568SP	1	Hose, Hydraulic 1" x 56" (Tank to gear pump)
15.	017144SP	1	Plug, Socket Head Magnetic Pipe
16.	049036SP	1	Tee, Branch
17.	964571SP	1	Hose, Hydraulic 3/4 x 22.5" (Filter outlet to tee in tank)
18.	964572SP	1	Hose, Hydraulic 1 x 52" (Tee in tank to charge inlet)
19.	020232SP	1	Cover, Inspection Hole
20.	043558SP	12	Nut, Hex Flange
21.	021701SP	1	Elbow, 90°
22.	964574SP	1	Hose, Hydraulic 1/2" x 73" (Drain tee to tank)
23.	019235SP	1	Elbow, 90°
24.	964573SP	1	Hose, Hydraulic 3/4" x 63" (Pump drain to tank)
25.	038303SP	4	Clamp
26.	038472SP	2	Clamp Plate
27.	001870SP	1	Washer, Lock
28.	015433SP	1	Bolt
29.	014223SP	1	Plug, Hex Head

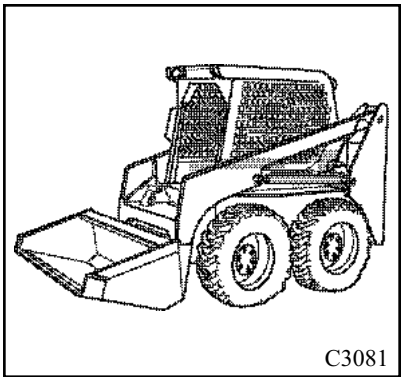
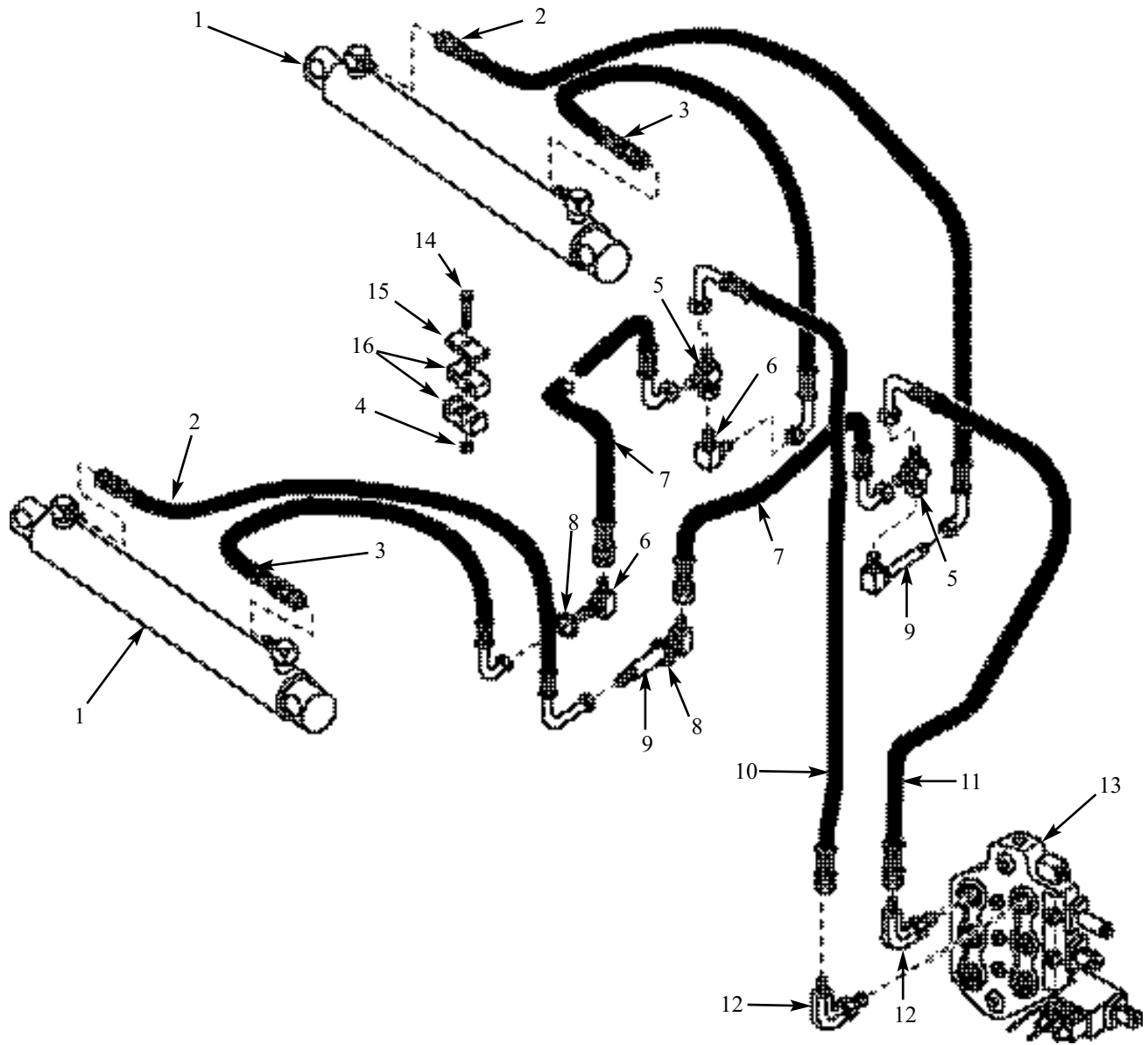
HYDRAULIC OIL FILTER



ITEM	PART	QTY	DESCRIPTION
1.	038587SP	1	Filter, Hydraulic Assy.
2.	035243SP	2	Element, Hydraulic Oil Filter
3.	038588SP	1	Head, Filter Hydraulic Assy.
4.	038386SP	2	Elbow, 90°
5.	964571SP	1	Hose, Hydraulic (Filter outlet to tee in tank)
6.	964570SP	1	Hose, Hydraulic (Cooler top to filter inlet)
7.	001193SP	8	Bolt, Hex
8.	001642SP	8	Washer, Lock
9.	001643SP	8	Washer, Flat
10.	043539SP	1	Filter, Hydraulic Assy.
11.	043541SP	1	Element, Hydraulic Oil Filter
12.	043540SP	1	Head, Filter Assy.

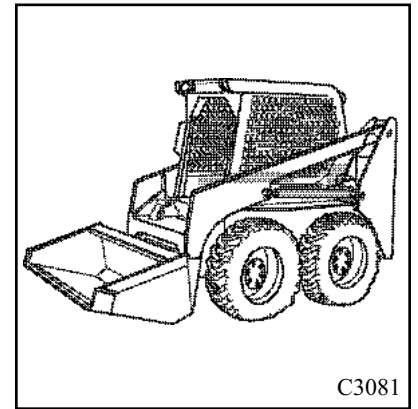
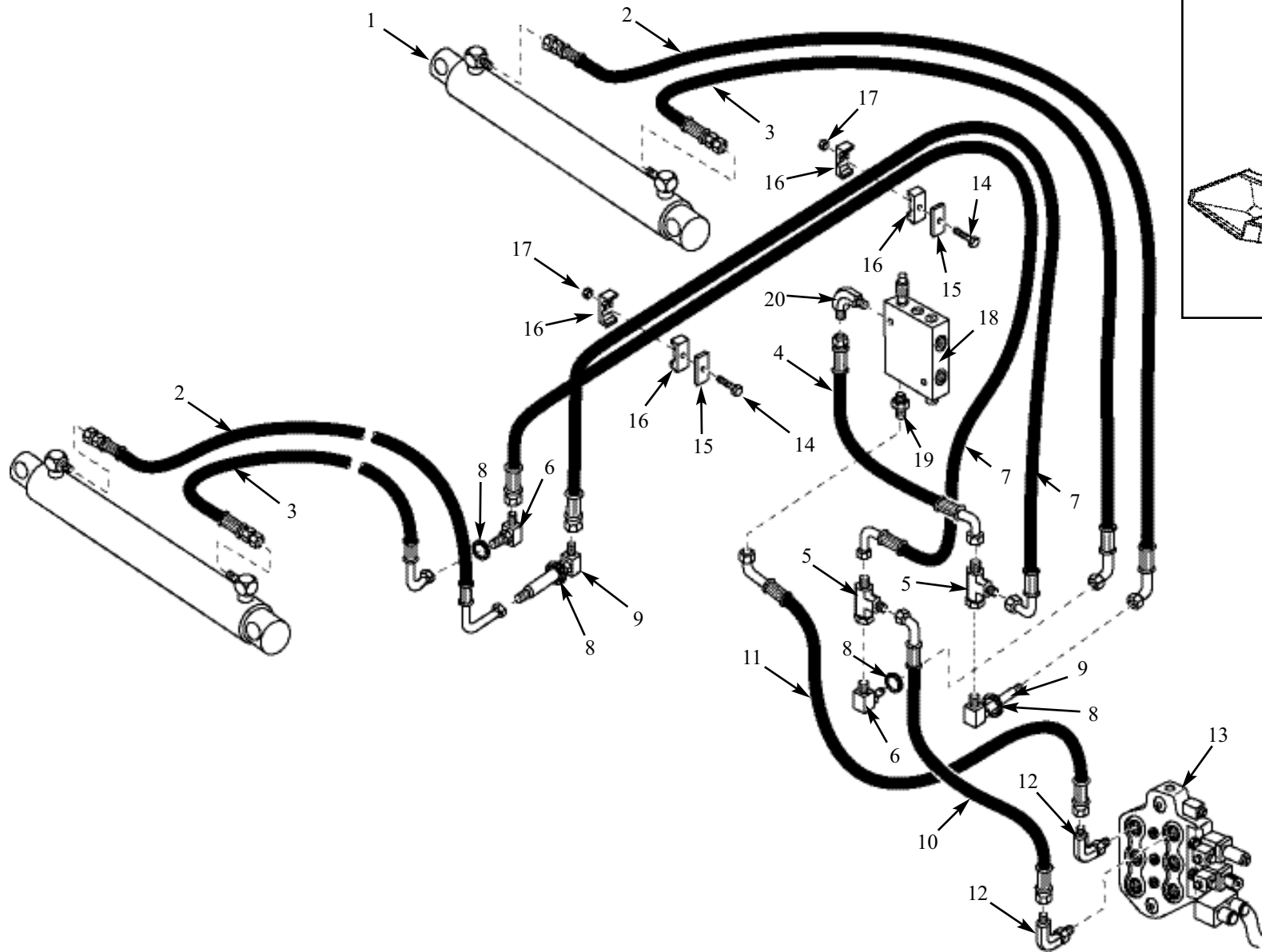
BOOM LIFT CIRCUIT (Standard)

4.3 (A)



ITEM	PART	QTY	DESCRIPTION
1.	***	2	Lift cylinder, see section 4.5
2.	962903SP	2	Hose, Hydraulic (Lift cylinder front port to rear bulkhead)
3.	962904SP	2	Hose, Hydraulic (Lift cylinder rear port to front bulkhead)
4.	016771SP	2	Lock nut
5.	042322SP	2	Tee
6.	033831SP	2	Connector, Bulkhead 90°
7.	961774SP	2	Hose, Hydraulic (Lift hoses from bulkheads to bulkheads)
8.	043903SP	4	Washer, Lock Internal Tooth
9.	036336SP	2	Connector, Bulkhead 90°
10.	963230SP	1	Hose, Hydraulic (Lift rear port to front bulkhead)
11.	963231SP	1	Hose, Hydraulic (Lift front port to rear bulkhead)
12.	019232SP	2	Elbow, 90°
13.	***	1	Control valve, see section 4.9
14.	042625SP	2	Bolt
15.	042076SP	2	Plate, Cover Twin
16.	043033SP	4	Clamp
•	000415SP	1	19.5' of Tube, Heli 3/4"x3/4" (Used to wrap hoses on the liftarms)

BOOM LIFT CIRCUIT (w/ Optional Self Level Valve) (Standard on CE Models) 4.3 (B)

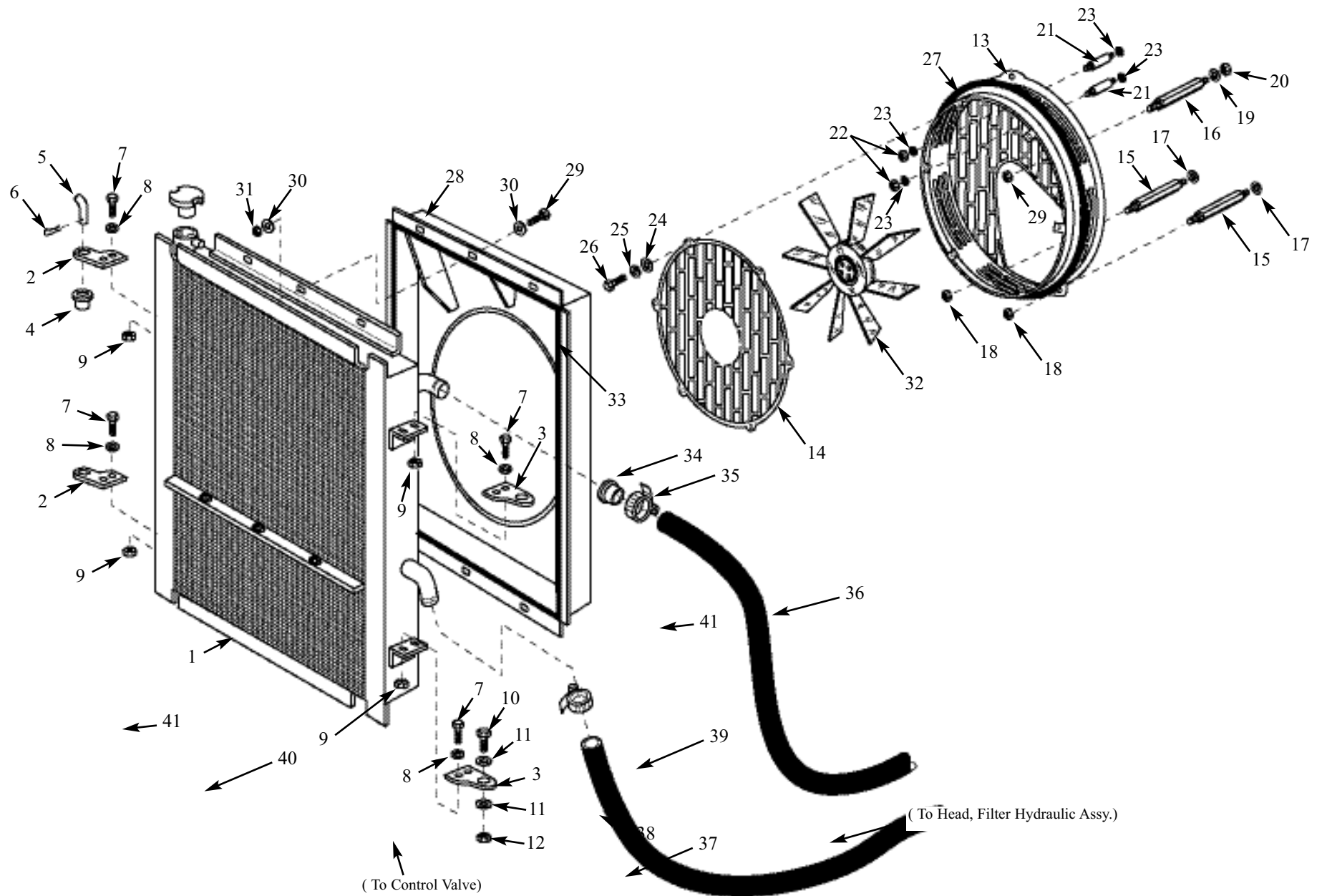


ITEM	PART	QTY	DESCRIPTION
1.	***	2	Lift cylinder, see section 4.5
2.	962903SP	2	Hose, Hydraulic (Lift cylinder front port to rear bulkhead)
3.	962904SP	2	Hose, Hydraulic (Lift cylinder rear port to front bulkhead)
4.	961776SP	1	Hose, Hydraulic (SLV port "A" to rear bulkhead)
5.	042322SP	2	Tee
6.	033831SP	2	Connector, Bulkhead 90°
7.	961774SP	2	Hose, Hydraulic (Lift hoses from bulkheads to bulkheads)
8.	043903SP	4	Washer, Lock Internal Tooth
9.	036336SP	2	Connector, Bulkhead 90°
10.	963230SP	1	Hose, Hydraulic (Lift rear port to front bulkhead)
11.	961937SP	1	Hose, Hydraulic (Valve front port to SLV port "B")
12.	019232SP	2	Elbow, 90°
13.	***	1	Control valve, see section 4.9
14.	042625SP	2	Bolt
15.	042076SP	2	Plate, Cover Twin
16.	043033SP	4	Clamp
17.	016771SP	2	Lock nut
18.	043487SP	1	Valve, Self Level Assy.
19.	019226SP	1	Connector
20.	019232SP	1	Elbow, 90°

* The Self Level Valve is standard on CE loaders.

FAN / RADIATOR / OIL COOLER (up to S/N LR000185)

4.4 (A)



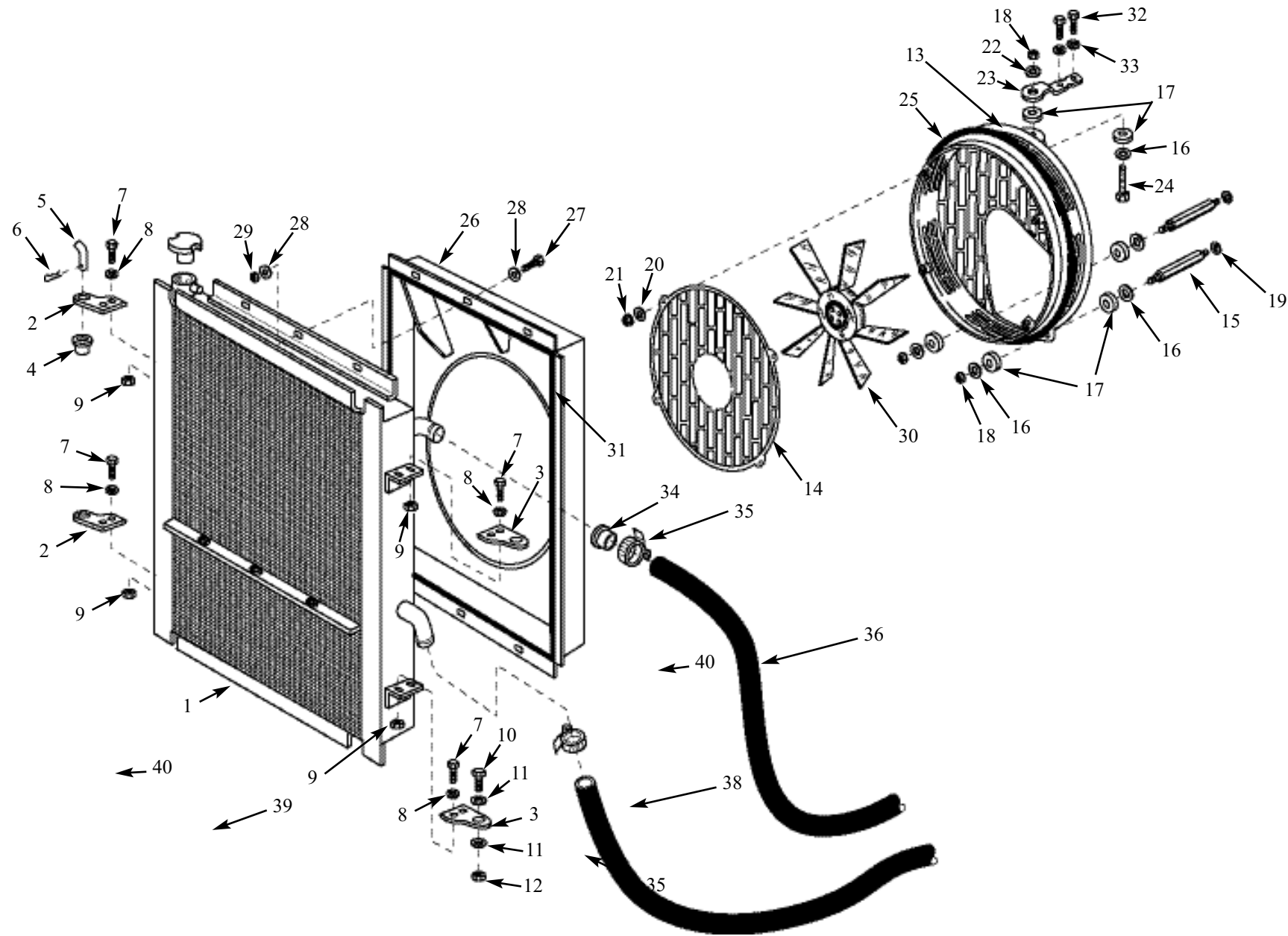
ITEM	PART	QTY	DESCRIPTION	ITEM	PART	QTY	DESCRIPTION
1.	048919SP	1	Rad / Cooler Assembly	36.	051160SP	1	Hose, Top Radiator (S/N LR000115 onward)
2.	048612SP	2	Plate, Rad Mount Left	37.	051120SP	1	Hose, Coolant Bottom
3.	048516SP	2	Plate, Rad Mount Right	38.	006268SP	1	Clamp, Hose #32
4.	048925SP	4	Bearing	39.	964570SP	1	Hose, Hydraulic (Cooler top to filter inlet)
5.	051021SP	2	Bar, Rad Pin	40.	964569SP	1	Hose, Hydraulic (Cooler bottom to Control Valve)
6.	024296SP	2	Clip, Hairpin-Plated	41.	038386SP	2	Elbow, 90°
7.	001387SP	8	Bolt, Hex 3/8 x 1 1/4				
8.	001643SP	8	Washer, Flat 3/8				
9.	007465SP	8	Nut, Nylok 3/8				
10.	001240SP	2	Bolt, Hex 1/2 x 2				
11.	023385SP	4	Washer, Flat 1/2				
12.	008613SP	2	Nut, Nylok 1/2				
13.	964547SP	1	Fan Guard Welded Assembly				
14.	048979SP	1	Sheet, Bolt-On Shield				
15.	044851SP	2	Bar, Standoff Bottom				
16.	044852SP	1	Bar, Standoff Top				
17.	020861SP	2	Washer, Lock 1/2				
18.	043559SP	3	Nut, Hex 1/2				
19.	001642SP	1	Washer, Lock 3/8				
20.	007465SP	1	Nut, Nylok 3/8				
21.	051035SP	2	Bar, Standoff LH				
22.	023250SP	2	Nut, Hex				
23.	021029SP	4	Washer, Lock				
24.	001650SP	4	Washer, Flat 1/4				
25.	002279SP	4	Washer, Lock 1/4				
26.	002338SP	4	Bolt, Hex 1/4 x 1/2				
27.	048601SP	6.5 ft.	Molding, Trim Seal 3/4" x 1/8"				
28.	964546SP	1	Shroud Welded Assembly				
29.	001190SP	6	Bolt, Hex 5/16 x 1				
30.	001651SP	12	Washer, Flat 5/16				
31.	016771SP	6	Nut, Nylok, Hex 5/16				
32.	048923SP	1	Fan, Multiwing				
33.	015931SP	96"	Weatherstrip, 5/16 x 3/4				
34.	049215SP	1	Hose, Adaptor (S/N LR000115 onward)				
35.	015521SP	1	Clamp, Hose #24 (S/N LR000101-LR000114)				
	006268SP	1	Clamp, Hose #32 (S/N LR000115 onward)				
36.	049013SP	1	Hose, Coolant Top (Flex) (S/N LR000101-LR000114)				

FAN / RADIATOR / OIL COOLER (up to S/N LR000185)

4.4 (A)

FAN / RADIATOR / OIL COOLER (S/N LR000186 onward)

4.4 (B)



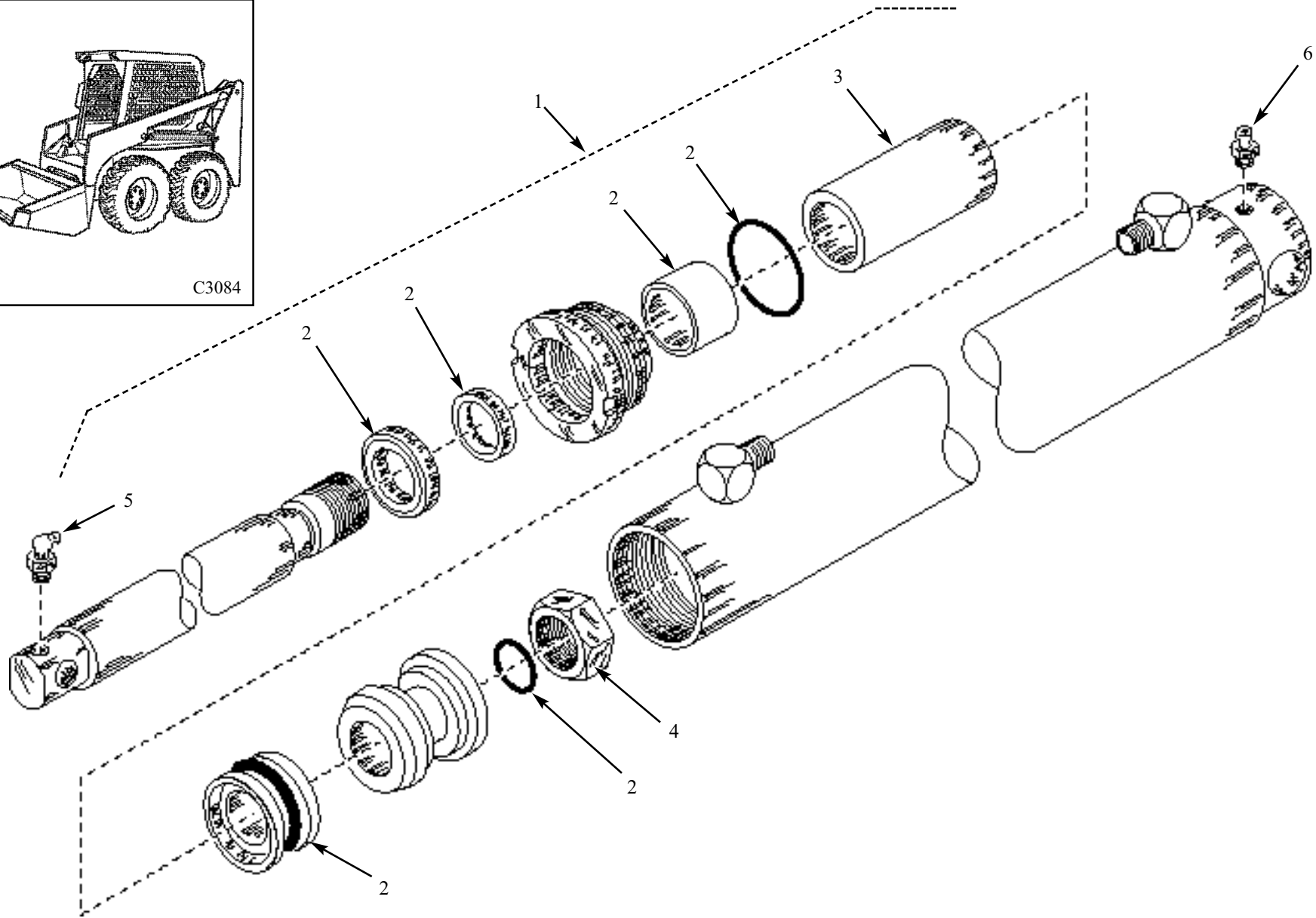
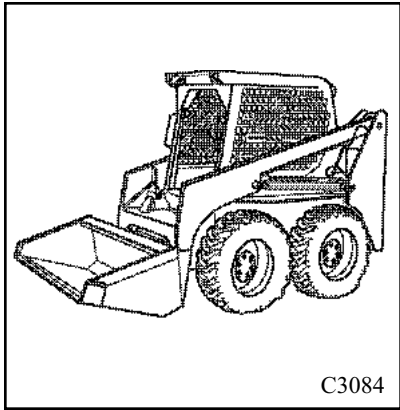
ITEM	PART	QTY	DESCRIPTION	ITEM	PART	QTY	DESCRIPTION
1.	048919SP	1	Rad / Cooler Assembly	39.	964569SP	1	Hose, Hydraulic (Cooler bottom to Control Valve)
2.	048612SP	2	Plate, Rad Mount Left	40.	038386SP	2	Elbow, 90°
3.	048516SP	2	Plate, Rad Mount Right				
4.	048925SP	4	Bearing				
5.	051021SP	2	Bar, Rad Pin				
6.	024296SP	2	Clip, Hairpin-Plated				
7.	001387SP	8	Bolt, Hex 3/8 x 1 1/4				
8.	001643SP	8	Washer, Flat 3/8				
9.	007465SP	8	Nut, Nylok 3/8				
10.	001240SP	2	Bolt, Hex 1/2 x 2				
11.	023385SP	4	Washer, Flat 1/2				
12.	008613SP	2	Nut, Nylok 1/2				
13.	964719SP	1	Fan Guard Welded Assembly				
14.	051192SP	1	Sheet, Bolt On Shield				
15.	051195SP	2	Bar, Standoff Bottom				
16.	051190SP	5	Washer				
17.	049260SP	3	Isolator, Neoprene				
18.	007465SP	3	Nut, Nylok 3/8				
19.	001642SP	2	Washer, Lock 3/8				
20.	001650SP	4	Washer, Flat 1/4				
21.	044237SP	4	Nut, 1/4 Flange				
22.	001643SP	1	Washer, Flat 3/8				
23.	051184SP	1	Plate, Fan Guard Brace				
24.	023901SP	1	Bolt, Hex 3/8 x 2 1/4				
25.	048601SP	6.5 ft.	Molding, Trim Seal 3/4" x 1/8"				
26.	964546SP	1	Shroud, Welded Assembly				
27.	001190SP	5	Bolt, Hex 5/16 x 1				
28.	001651SP	10	Washer, Flat 5/16				
29.	016771SP	5	Nut, Nylok, Hex 5/16				
30.	048923SP	1	Fan, Multiwing				
31.	015931SP	96"	Weatherstrip, 5/16 x 3/4				
32.	021554SP	2	Bolt, Hex				
33.	021029SP	2	Washer, Lock				
34.	049215SP	1	Hose, Adaptor				
35.	006268SP	2	Clamp, Hose #32				
36.	051160SP	1	Hose, Top Radiator				
37.	051120SP	1	Hose, Coolant Bottom				
38.	964570SP	1	Hose, Hydraulic (Cooler top to filter inlet)				

FAN / RADIATOR / OIL COOLER (S/N LR000186 onward)

4.4 (B)

LIFT CYLINDER (250 Models)

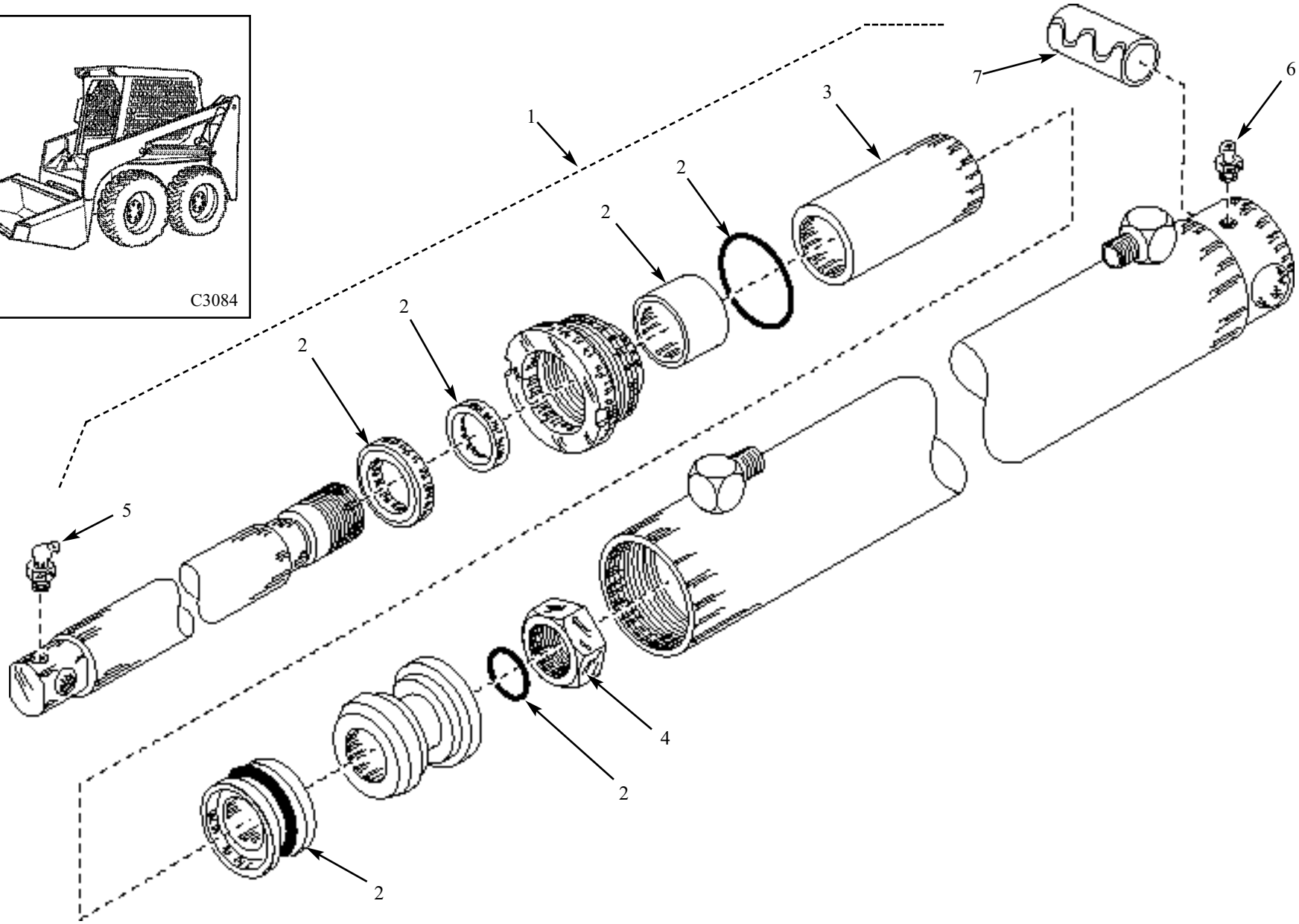
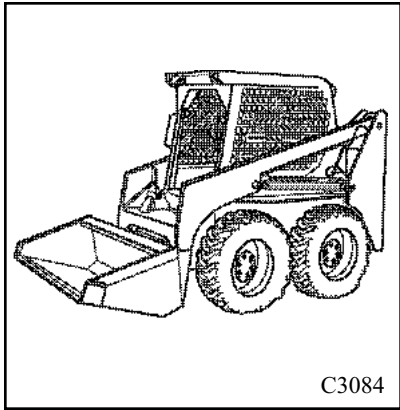
4.5 (A)



ITEM	PART	QTY	DESCRIPTION
1.	046216SP	1	Cylinder Assembly (pair required)
2.	029875SP	1	Kit, Seal Hydraulic Cylinder
3.	030236SP	1	Spacer
4.	006297SP	1	Nut, Lock
5.	047177SP	1	Grease Fitting, 90°
6.	002010SP	1	Grease Fitting Straight

LIFT CYLINDER (255 Models)

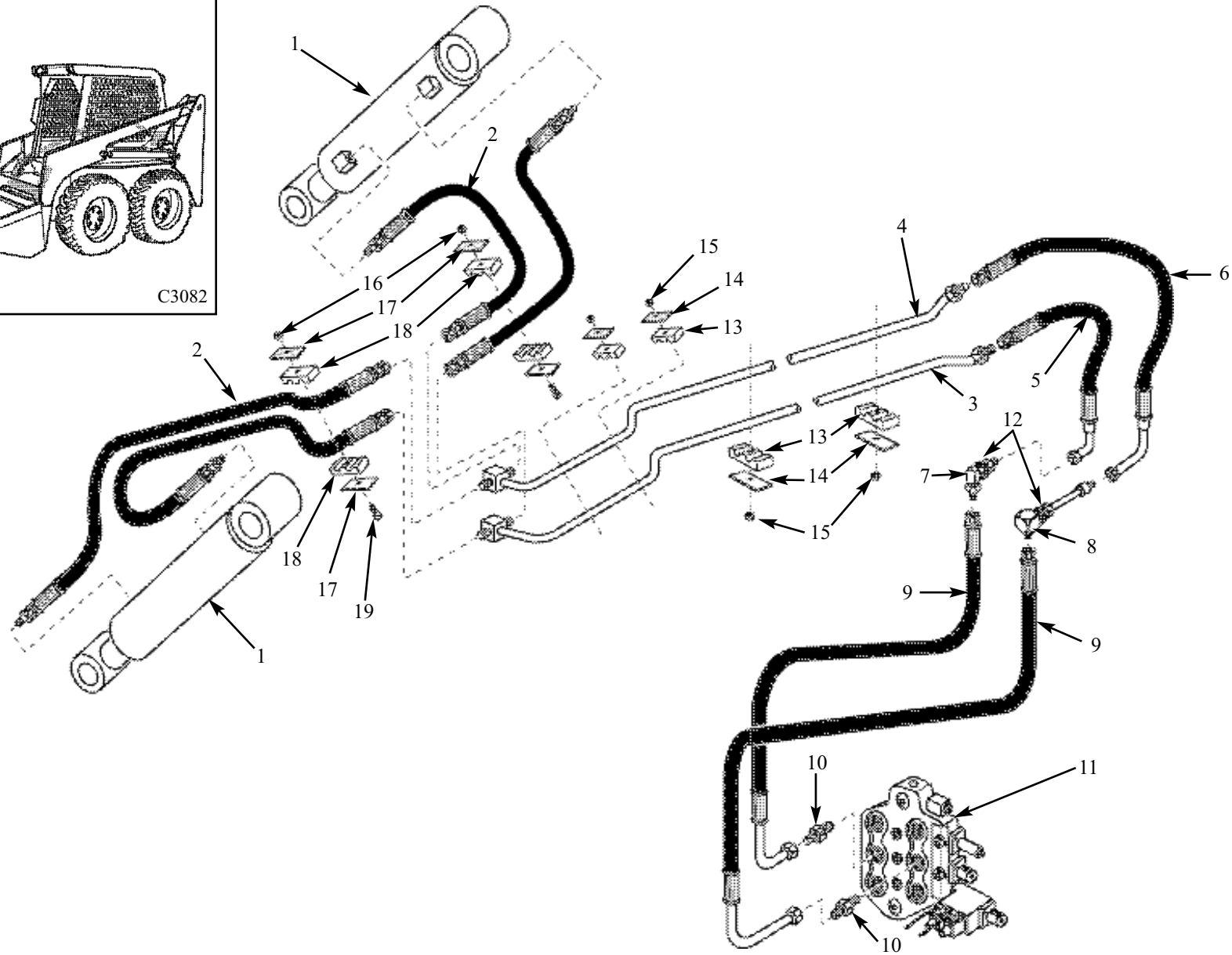
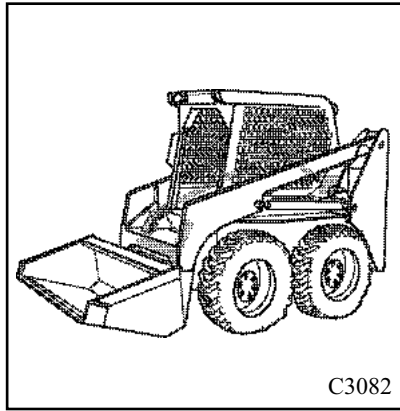
4.5 (B)



ITEM	PART	QTY	DESCRIPTION
1.	043771SP	1	Cylinder Assembly (pair required)
2.	044570SP	1	Kit, Seal Hydraulic Cylinder
3.	030236SP	1	Spacer
4.	029896SP	1	Nut, Lock
5.	035451SP	1	Grease Fitting, 90°
6.	002010SP	1	Grease Fitting Straight
7.	043632SP	1	Bushing, Hardened

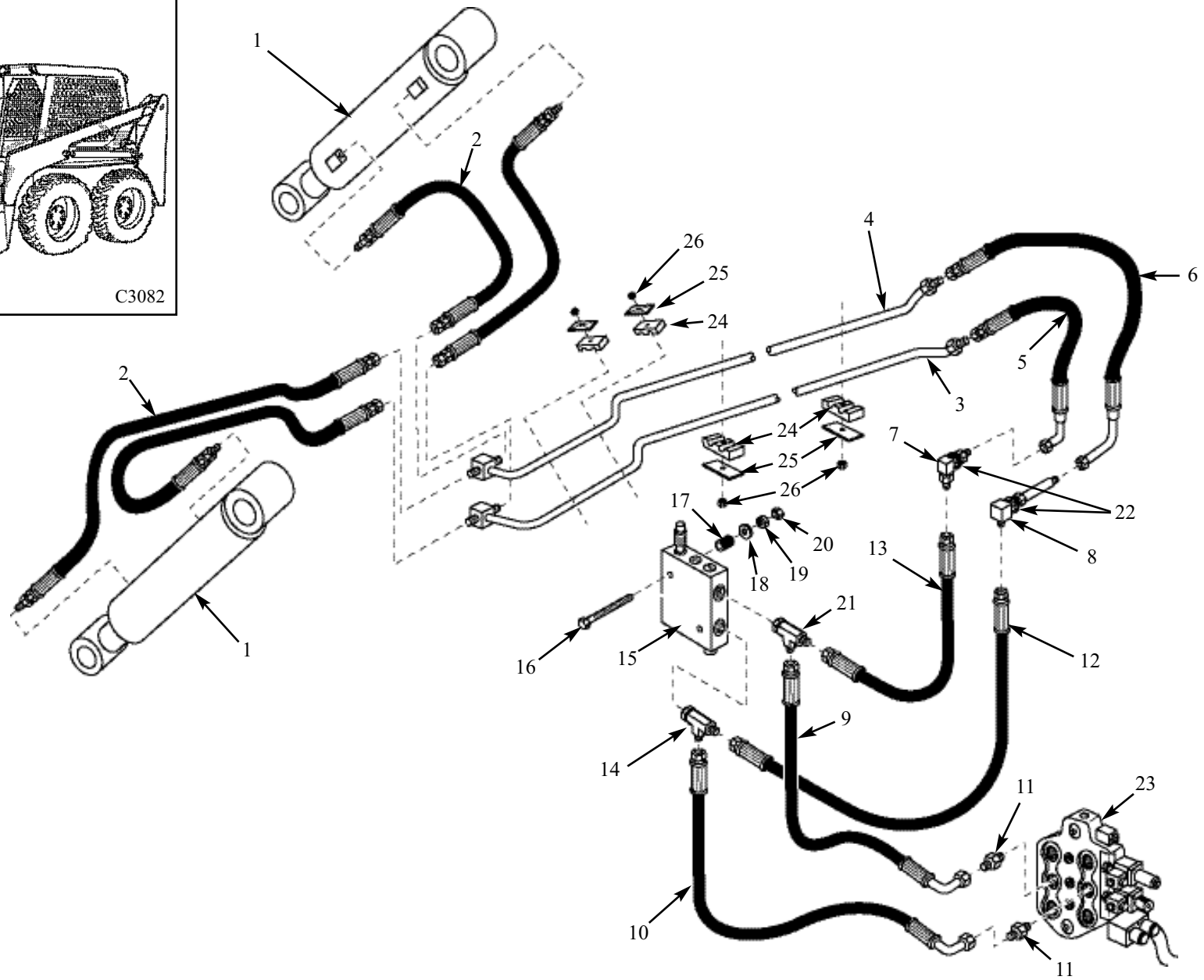
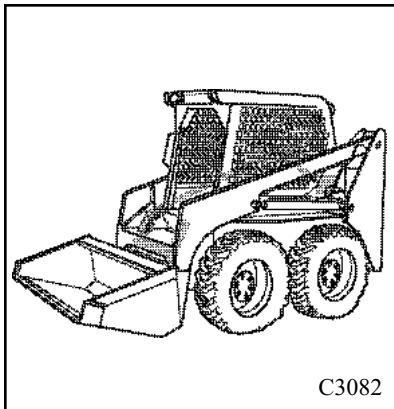
BUCKET TILT CIRCUIT (Standard)

4.6 (A)



ITEM	PART	QTY	DESCRIPTION
1.	***	2	Tilt Cylinder, See Section 4.7
2.	961499SP	4	Hose, Hydraulic (Tilt cylinder to tube)
3.	042091SP	1	Tube, Hydraulic (Inside tilt tube)
4.	043570SP	1	Tube, Hydraulic (Outside tilt tube)
5.	961761SP	1	Hose, Hydraulic (Front bulkhead to inside hydraulic line)
6.	964595SP	1	Hose, Hydraulic (Rear bulkhead to outside hydraulic line)
7.	033831SP	1	Connector, Bulkhead 90°
8.	036336SP	1	Connector, Bulkhead 90° (Long)
9.	963232SP	2	Hose, Control Valve to Bulkhead
10.	019226SP	2	Connector
11.	***	1	Control Valve, See Section 4.9
12.	043903SP	2	Star washer
13.	038303SP	4	Clamp, Tube Twin 5/8"
14.	038472SP	4	Plate, Cover Twin
15.	007465SP	4	Nut, Nylok
16.	016771SP	2	Nut, Nylok
17.	042076SP	4	Plate, Cover Twin
18.	042061SP	4	Clamp, Twin 3/4" Tube
19.	001675SP	2	Bolt, Hex

BUCKET TILT CIRCUIT (w/ Optional Self Level Valve) (Standard on CE Models) 4.6 (B)



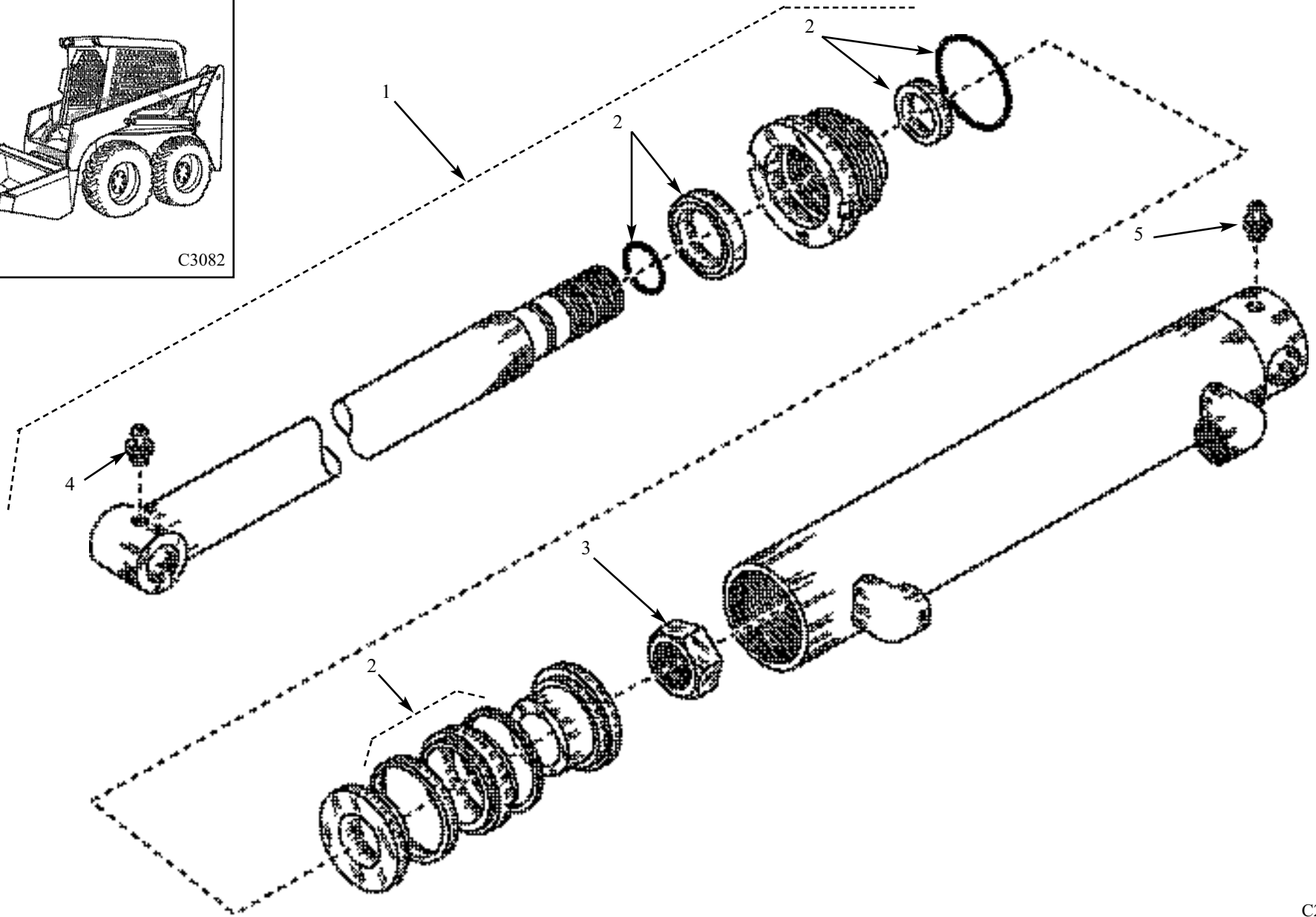
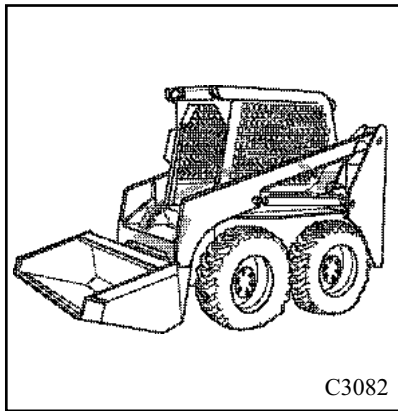
ITEM	PART	QTY	DESCRIPTION
1.	***	2	Tilt Cylinder, See Section 4.7
2.	961499SP	4	Hose, Hydraulic (Tilt cylinder to tube)
3.	042091SP	1	Tube, Hydraulic (Inside tilt tube)
4.	043570SP	1	Tube, Hydraulic (Outside tilt tube)
5.	961761SP	1	Hose, Hydraulic (Front bulkhead to inside hydraulic line)
6.	964595SP	1	Hose, Hydraulic (Rear bulkhead to outside hydraulic line)
7.	033831SP	1	Connector, Bulkhead 90°
8.	036336SP	1	Connector, Bulkhead 90° (Long)
9.	963232SP	1	Hose, Hydraulic (Front valve port to SLV Port "D")
10.	963232SP	1	Hose, Hydraulic (Rear valve port to SLV Port "C")
11.	019226SP	2	Connector
12.	961778SP	1	Hose, Hydraulic (SLV Port "C", tee to rear bulkhead)
13.	961767SP	1	Hose, Hydraulic (SLV Port "D", tee to front bulkhead)
14.	036626SP	1	Tee
15.	043487SP	1	Valve, Self Level Assembly (SLV)
16.	042907SP	2	Bolt, Hex
17.	036273SP	2	Bar
18.	017438SP	2	Washer, Flat
19.	017441SP	2	Washer, Lock
20.	024615SP	2	Nut, Hex
21.	036626SP	1	Tee
22.	043903SP	2	Star Washer
23.	***	1	Control Valve, See Section 4.9
24.	038303SP	4	Clamp, Tube Twin 5/8"
25.	038472SP	4	Plate, Cover Twin
26.	007465SP	4	Nut, Nylok

* The Self Level Valve is standard on CE loaders.

BUCKET TILT CIRCUIT (w/ Optional Self Level Valve) (Standard on CE Models) 4.6 (B)

TILT CYLINDER (250 Models)

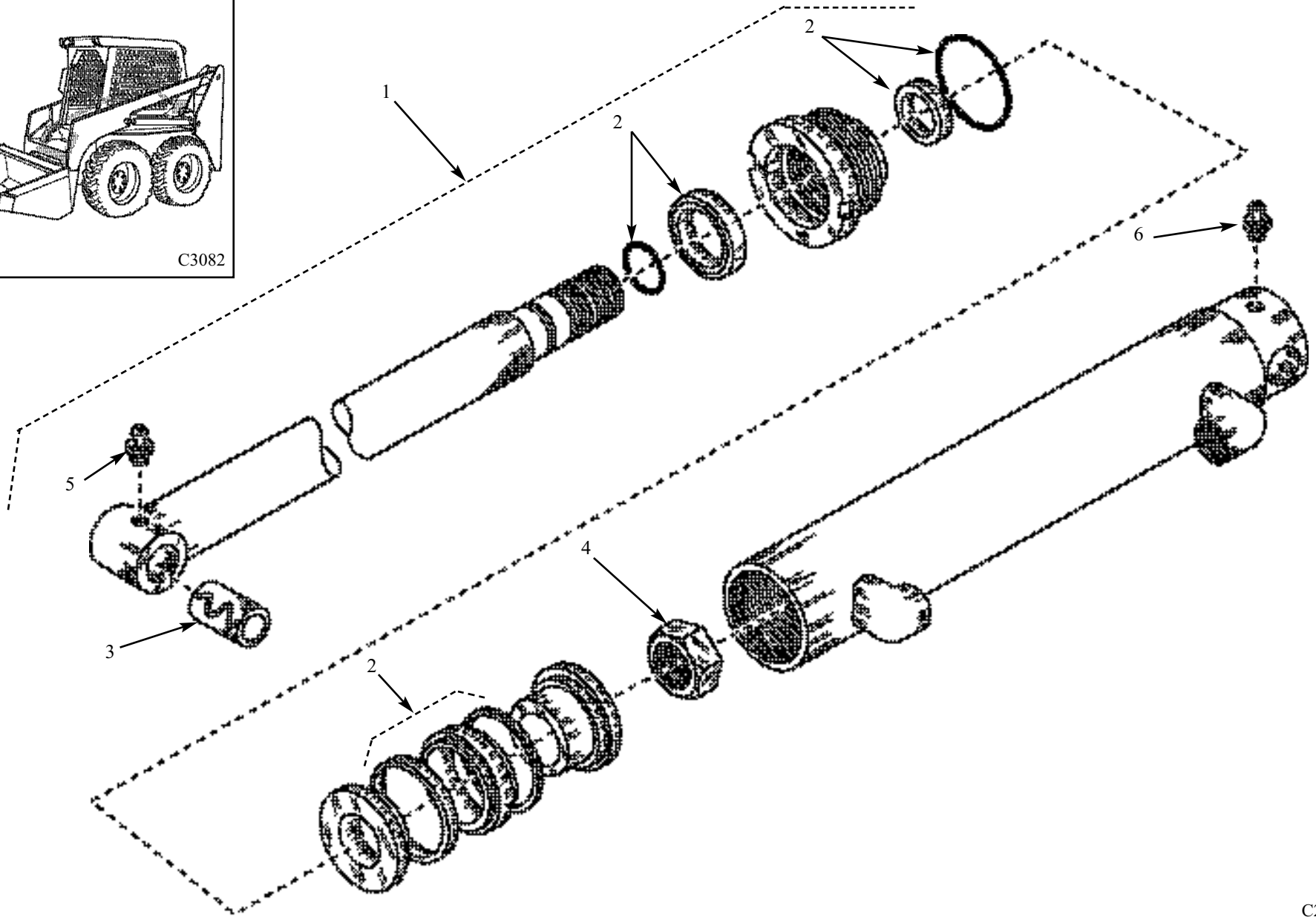
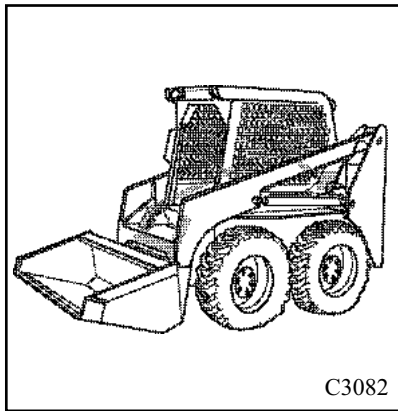
4.7 (A)



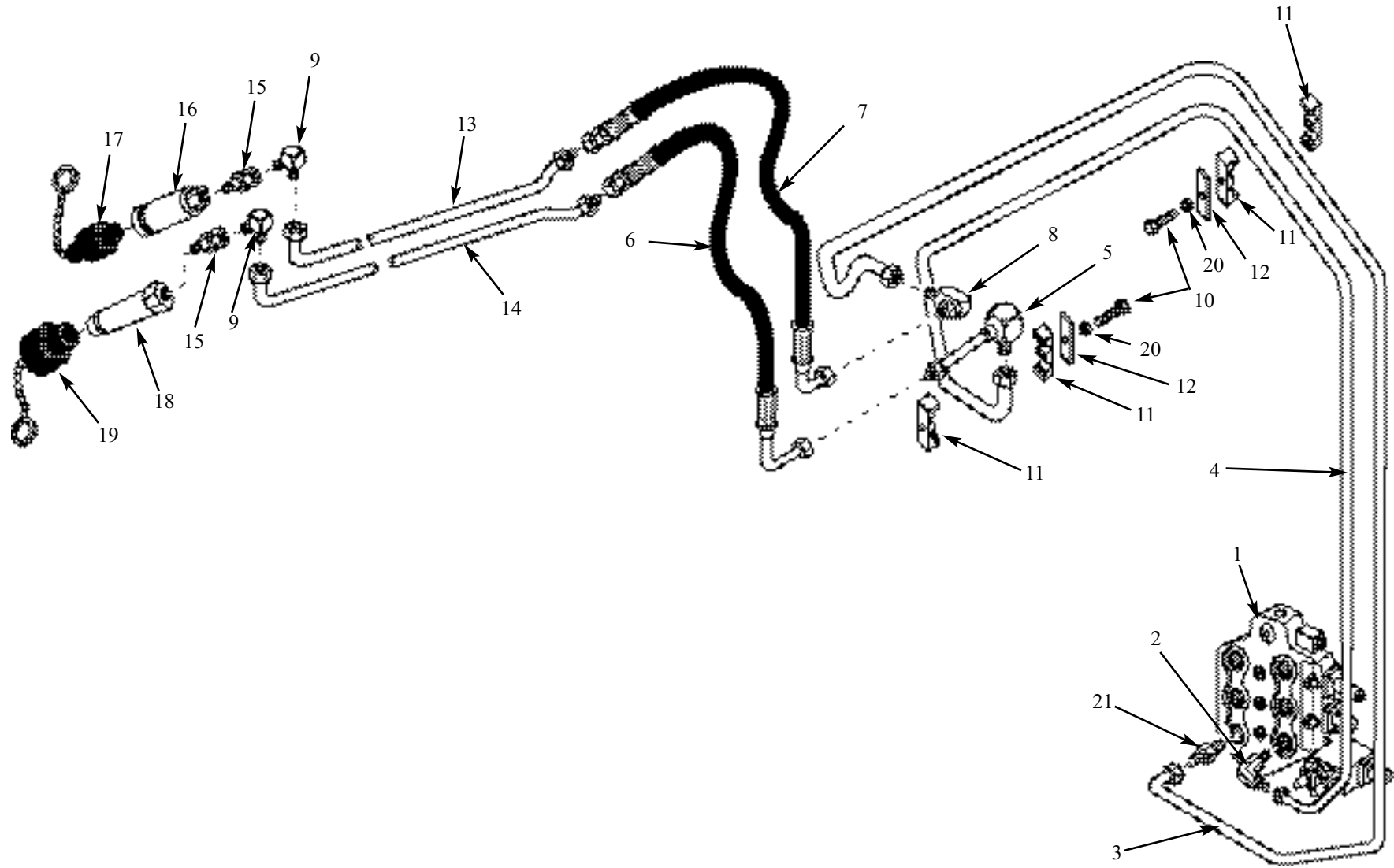
ITEM	PART	QTY	DESCRIPTION
1.	041420SP	1	Tilt Cylinder (pair required)
2.	029875SP	1	Kit, Seal, Hydraulic Cylinder
3.	029896SP	1	Nut, Cylinder, Hex
4.	002010SP	1	Fitting, Grease (Straight)
5.	047177SP	1	Fitting, Grease (90°)

TILT CYLINDER (255 Models)

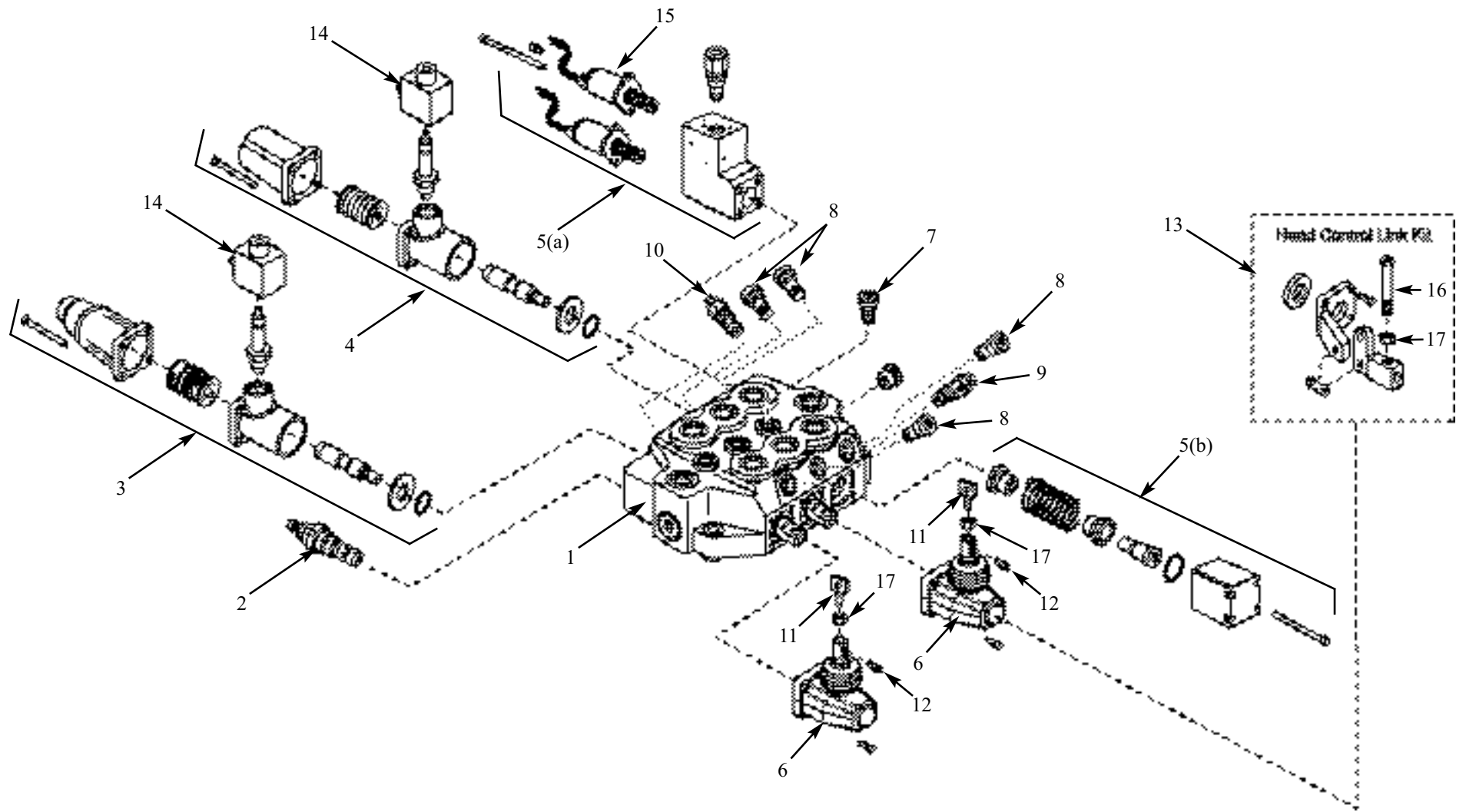
4.7 (B)



ITEM	PART	QTY	DESCRIPTION
1.	033153SP	1	Tilt Cylinder (pair required)
2.	032511SP	1	Kit, Seal, Hydraulic Cylinder
3.	030641SP	1	Bushing, Hardened
4.	006297SP	1	Nut, Cylinder, Hex
5.	002010SP	1	Fitting, Grease (Straight)
6.	035451SP	1	Fitting, Grease (90°)



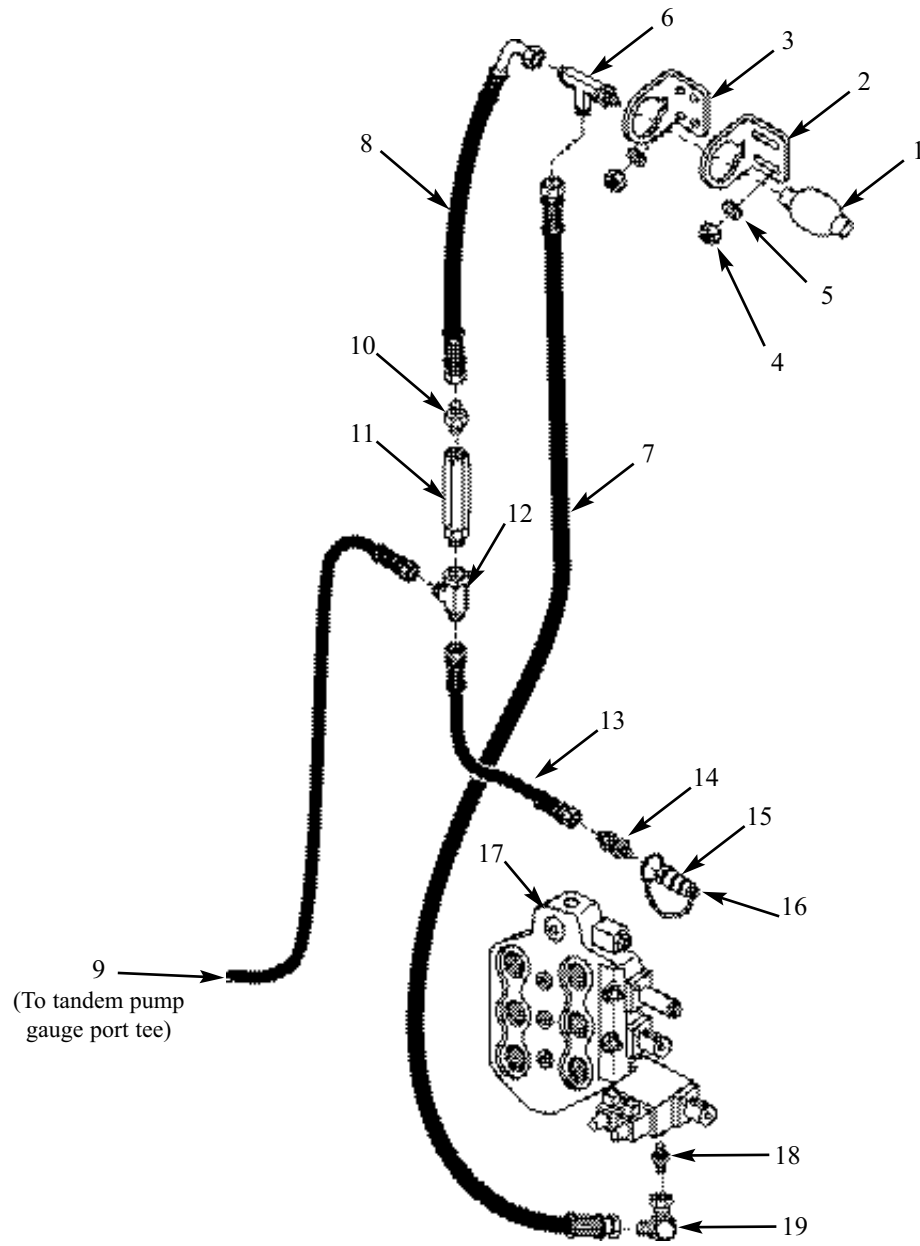
ITEM	PART	QTY	DESCRIPTION
1.	***	1	Control Valve, see Section 4.9
2.	019232SP	1	Elbow, 90°
3.	044674SP	1	Tube, Hydraulic (Bulkhead to valve)
4.	044675SP	1	Tube, Hydraulic (Bulkhead to valve)
5.	036336SP	2	Connector, Bulkhead 90° (Long)
*	043903SP	2	Internal Star Washer (used on bulkheads)
6.	964595SP	1	Hose, Hydraulic (Rear bulkhead to outside hydraulic lines)
7.	961761SP	1	Hose, Hydraulic (Front bulkhead to inside hydraulic lines)
8.	033831SP	1	Connector, Bulkhead 90°
9.	022280SP	2	Elbow, 90°
10.	015433SP	2	Bolt
11.	038303SP	4	Clamp, Tube Twin
12.	038472SP	2	Plate, Cover Twin
13.	042089SP	1	Tube, Hydraulic (Inside auxiliary tube)
14.	043571SP	1	Tube, Hydraulic (Outside auxiliary tube)
15.	029437SP	2	Connector, Bulkhead
16.	006608SP	1	Quick Coupler, Female (up to S/N LR000221)
16	043800SP	1	Coupling, Quick Disconnect Female, 8 1/2 NPTF Flush Face Type 3/4 (Standard from S/N LR000222onward)
17.	007124SP	1	Dust Plug for Female Quick Coupler (up to S/N LR000221)
17.	043917SP	1	Cap, Dust for Female Flush Face Coupling (Standard from S/N LR000222onward)
18.	001803SP	1	Quick Coupler, Male (up to S/N LR000221)
18.	043801SP	1	Coupling, Quick Disconnect Male, 8 1/2 NPTF Flush Face Type 3/4 (Standard from S/N LR000222onward)
19.	007667SP	1	Dust Plug for Male Quick Coupler (up to S/N LR000221)
19.	043918SP	1	Cap. Dust for Male Flush Face Coupling (Standard from S/N LR000222onward)
20.	001870SP	2	Lock Washer
21.	019226SP	1	Connector



ITEM	PART	QTY	DESCRIPTION
1.	047804SP	1	Valve, Hyd Assy Sol Aux w/Control Boxes
2.	049078SP	1	Valve, Main Relief
3.	049081SP	1	Kit, Lift Circuit w/o Spool
4.	049080SP	1	Kit, Tilt Circuit w/o Spool
5.	049079SP	1	Kit, Aux Circuit w/o Spool
6.	044935SP	2	Kit, Control Lever Box
7.	043722SP	3	Valve, Check
8.	044190SP	4	Plug, Anti-Cav. Replacement
9.	049076SP	1	Valve, Port Relief
10.	049077SP	1	Valve, Port Relief
11.	044299SP	2	Bar, Control Lever Linkage
12.	044473SP	2	Screw, Set
13.	044937SP	1	Kit, Dust Cap w/Connector for Hand Control (Optional)
14.	049083SP	2	Coil, Solenoid Lock Assy.
15.	049082SP	2	Coil, Auxiliary Solenoid
16.	046006SP	1	Bar, Control Lever Linkage (Hand Control Option)
17.	046005SP	2	Nut, Jam
•	043812SP	1	Seal Kit

* On hand control units, the quantity of control lever linkage bars (#11) will change from 2 to 1.

** Hand Controls are standard on CE models.



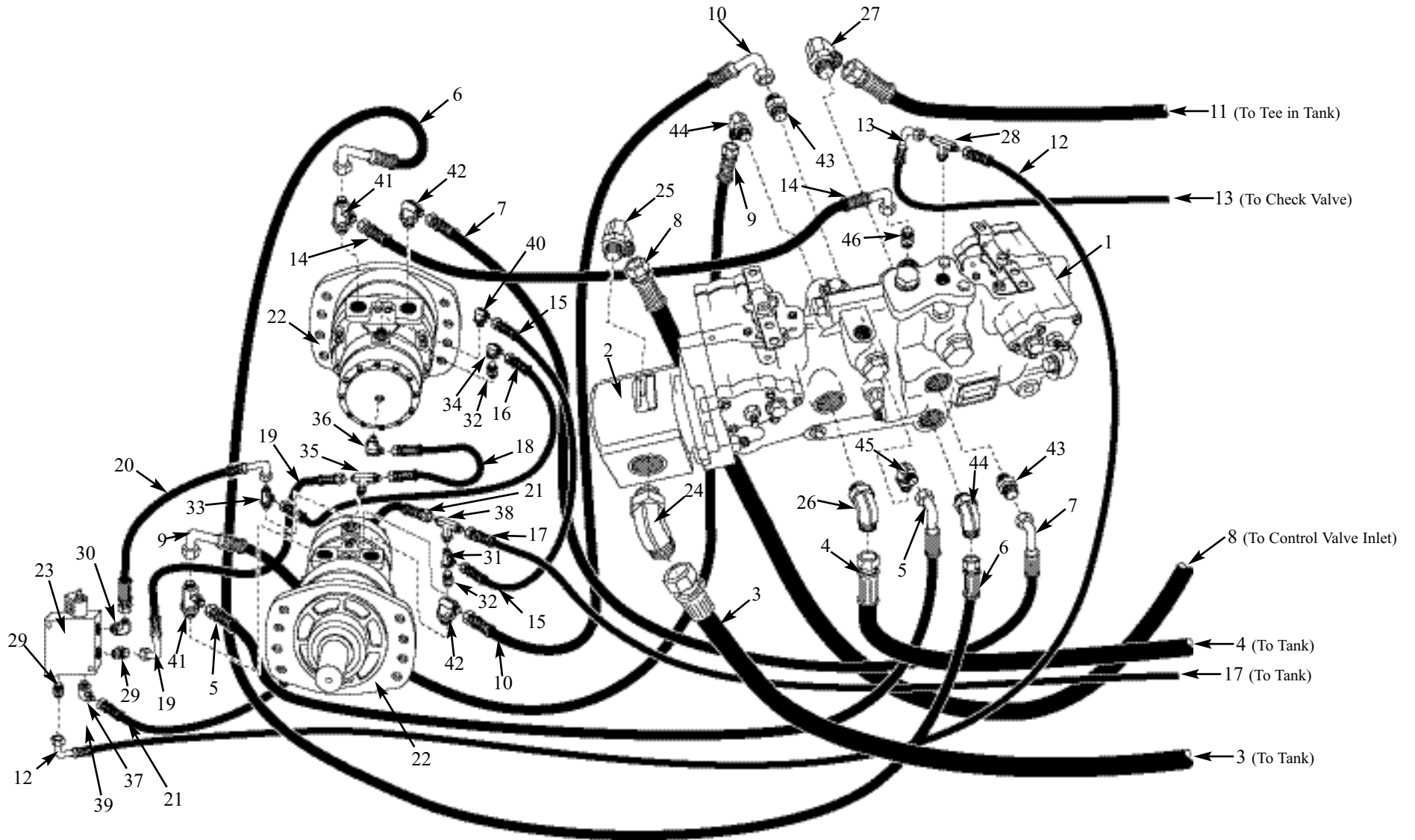
ITEM	PART	QTY	DESCRIPTION
1.	046118SP	1	Accumulator, Diaphragm
2.	046165SP	1	Sheet, Accumulator Mount Top
3.	046166SP	1	Sheet, Accumulator Mount Bottom
4.	016771SP	4	Nut, Nylok, Hex 5/16
5.	001651SP	4	Washer, Flat 5/16
6.	026833SP	1	Tee, Run
7.	964622SP	1	Hose, Hydraulic 3/8 x 31" (Control valve to accumulator tee)
8.	964581SP	1	Hose, Hydraulic 3/8 x 7" (Accumulator tee to check valve)
9.	964582SP	1	Hose, Hydraulic 3/8 x 57" (Check valve tee to charge pump gauge port tee)
10.	021121SP	1	Connector, Male
11.	026829SP	1	Valve, Check
12.	038389SP	1	Tee, Run
13.	964583SP	1	Hose, Hydraulic 1/4 x 15" (Check valve tee to quick disconnect bulkhead)
14.	043127SP	1	Connector, Bulkhead
15.	043128SP	1	Coupling, Quick Disconnect Male
16.	043130SP	1	Dust Plug, Quick Disconnect Male
17.	***	1	Control Valve, See Section 4.9
18.	036853SP	1	Connector, Male
19.	015103SP	1	Elbow, 90°

5. HYDROSTATIC DRIVE SYSTEM

Hydrostatic Drive Circuit (250 Models)	5.1(A)
Hydrostatic Drive Circuit (255 Models).....	5.1(B)
Hydrostatic Tandem Pump	5.2
Hi-Flow Circuit	5.3
Torque Motor (250 Models)	5.4(A)
Torque Motor (255 Models)	5.4(B)

HYDROSTATIC DRIVE CIRCUIT (250 Models)

5.1 (A)

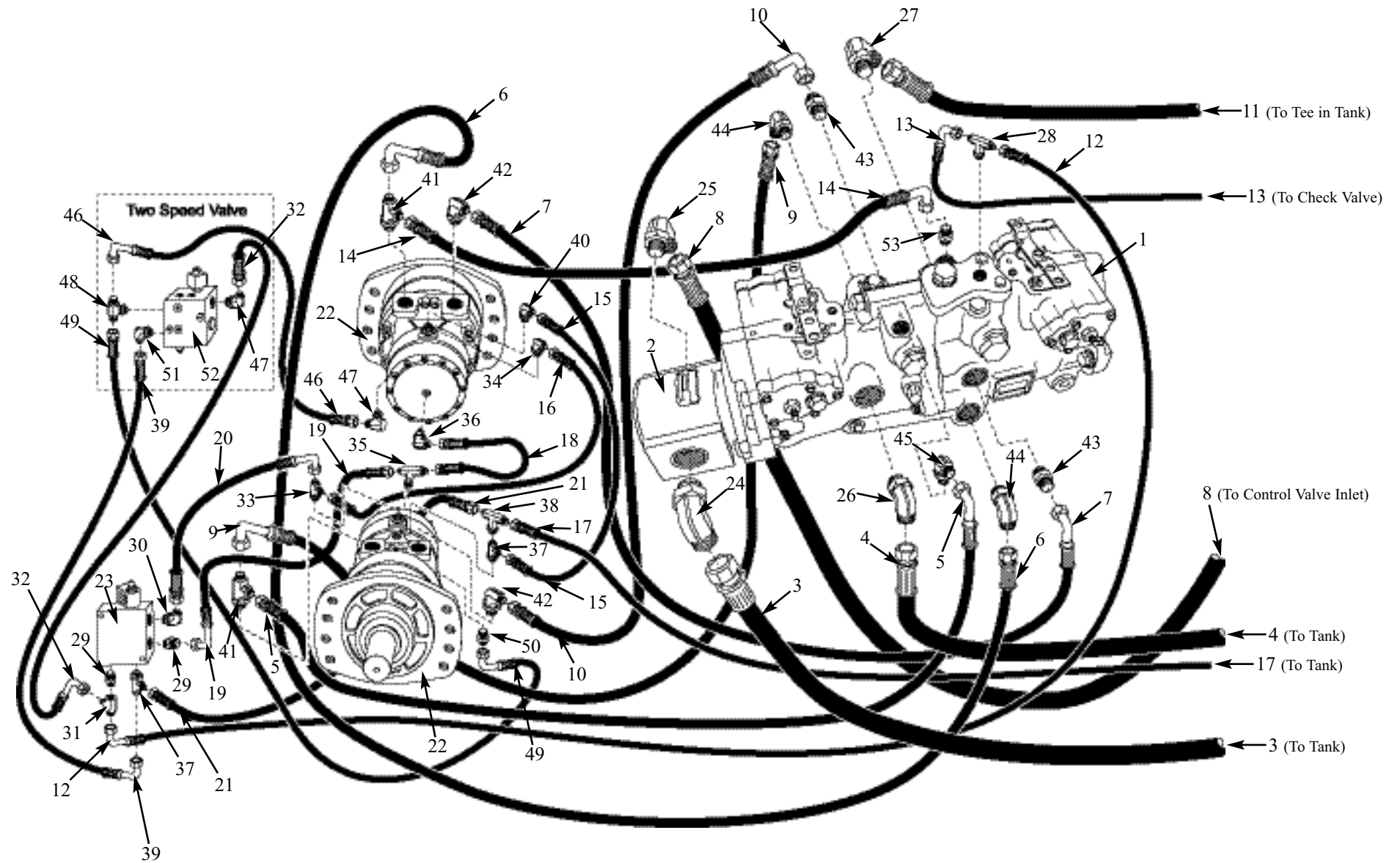


ITEM	PART	QTY	DESCRIPTION	ITEM	PART	QTY	DESCRIPTION
1.	048918SP	1	Pump, Tandem Assembly 245 bar	20.	964577SP	1	Hose, Hydraulic 3/8 x 16" (Brake valve port 1 to LH motor brake release port Z)
2.	049027SP	1	Pump, Gear	21.	964968SP	1	Hose, Hydraulic 3/8 x 19" (LH motor case drain to brake valve port 4)
3.	964568SP	1	Hose, Hydraulic 1 1/4 x 56" (Tank to gear pump)	22.	049428SP	2	Motor, Hydraulic Assembly 680 cc
4.	964573SP	1	Hose, Hydraulic 3/4 x 63" (Tandem pump drain to tank)	23.	046913SP	1	Valve, 2 pos 4 way w/check man override
5.	964971SP	1	Hose, Hydraulic 3/8 x 22" Hi-Pressure (Gauge ports to tee in front motor ports)	24.	033850SP	1	Elbow, 90°
6.	961763SP	1	Hose, Hydraulic 3/4 x 38" (Bottom of rear pump to RH motor front)	25.	025011SP	1	Elbow, 90°
7.	961762SP	1	Hose, Hydraulic 3/4 x 42" (Top of rear pump to RH motor rear)	26.	014866SP	1	Elbow, 90°
8.	961747SP	1	Hose, Hydraulic 5/8 x 57.5" (Gear pump to valve)	27.	038652SP	1	Elbow, 90°
9.	961762SP	1	Hose, Hydraulic 3/4 x 42" (Bottom of front pump to LH motor front)	28.	049037SP	1	Tee, Branch
10.	961763SP	1	Hose, Hydraulic 3/4 x 38" (Top of front pump to LH motor rear)	29.	021121SP	2	Connector, Male
11.	964572SP	1	Hose, Hydraulic 1 x 52" (Tee in tank to change inlet)	30.	021128SP	1	Elbow, 90°
12.	964576SP	1	Hose, Hydraulic 3/8 x 54" (Tee at pump charge gauge port to brake valve port 2)	31.	026641SP	1	Tee, Run
13.	964582SP	1	Hose, Hydraulic 3/8 x 57" (Check valve tee to charge pump gauge port tee)	32.	019238SP	2	Connector, Male
14.	964972SP	1	Hose, Hydraulic 3/8 x 26" (Gauge port to tee in front motor port)	33.	043146SP	1	Tee, Run
15.	964967SP	1	Hose, Hydraulic 3/8 x 28" (LH motor case drain to RH motor case drain)	34.	036713SP	1	Elbow, 90°
16.	964578SP	1	Hose, Hyd. 3/8 x 11" (LH motor brake release port Z to RH motor brake release port Z)	35.	043189SP	1	Tee, Branch
17.	964574SP	1	Hose, Hydraulic 1/2 x 73" (Tank drain to LH motor case drain)	36.	036855SP	1	Elbow, 90°
18.	964970SP	1	Hose, Hyd. 1/4 x 13" (LH motor active brake port X to RH motor active brake port X)	37.	021128SP	1	Elbow, 90°
19.	964969SP	1	Hose, Hydraulic 3/8 x 13" (Brake valve port 3 to LH motor active brake port X)	38.	047842SP	1	Tee, Branch
				39.	042292SP	1	Cap
				40.	021553SP	1	Elbow, 90°
				41.	049035SP	2	Tee, Branch
				42.	043064SP	2	Elbow, 90°
				43.	008104SP	2	Connector
				44.	038386SP	2	Elbow, 90°
				45.	036713SP	1	Elbow, 90°
				46.	019240SP	1	Connector, Male
				*	018767SP	2	Plug, Hex Head (Located under torque motors)

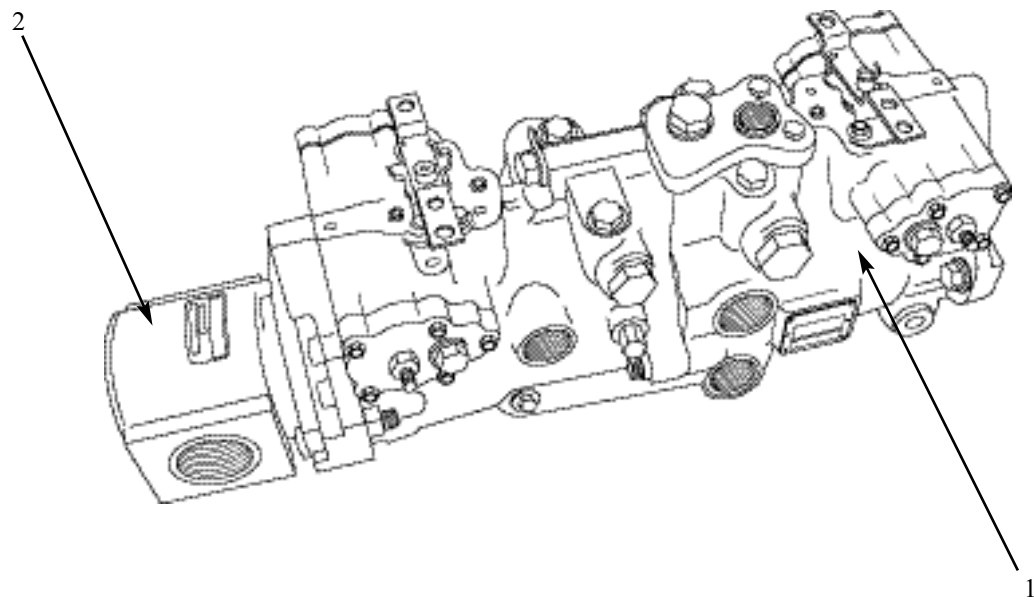
* Items not shown in diagram.

HYDROSTATIC DRIVE CIRCUIT (255 Models)

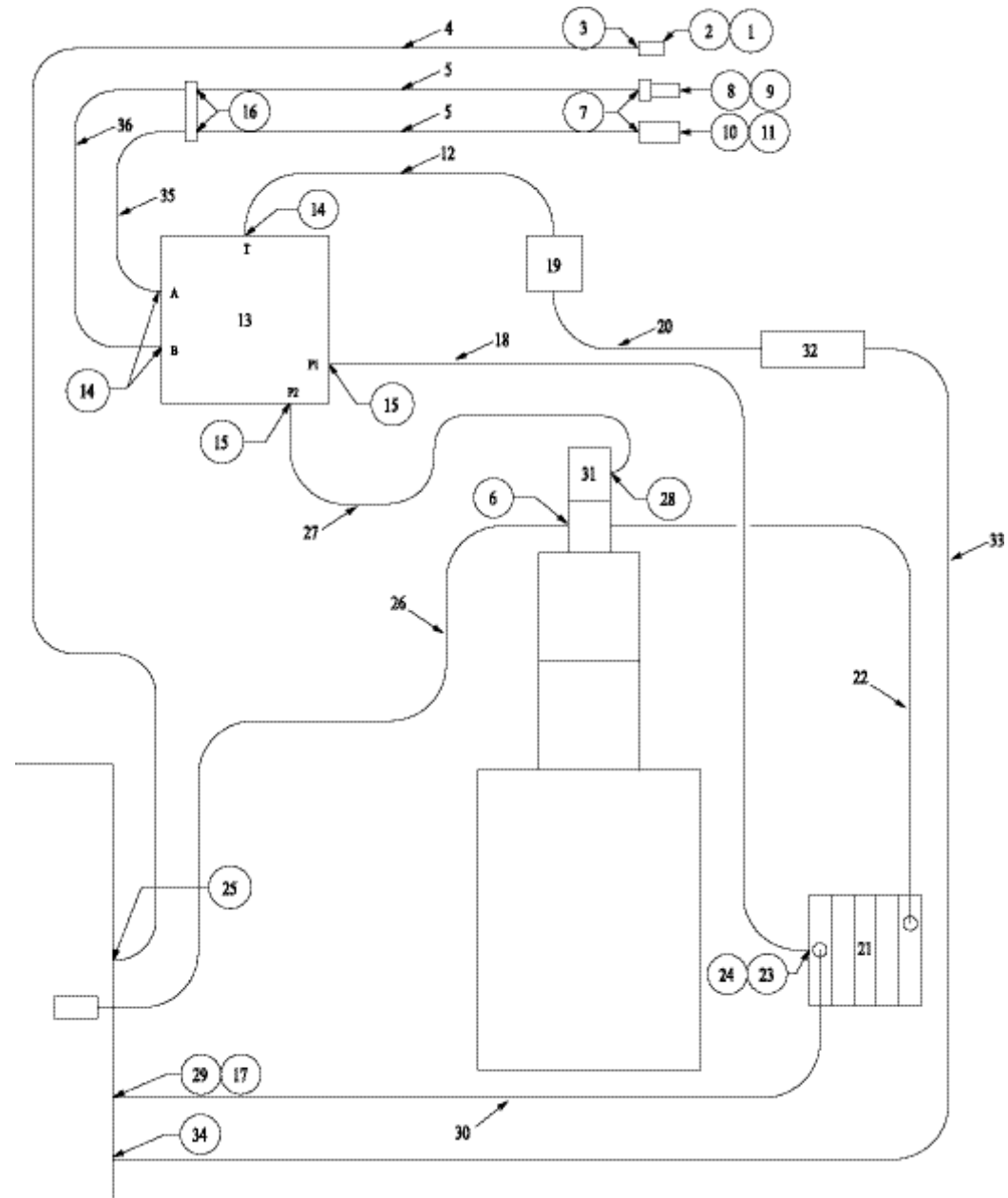
5.1 (B)



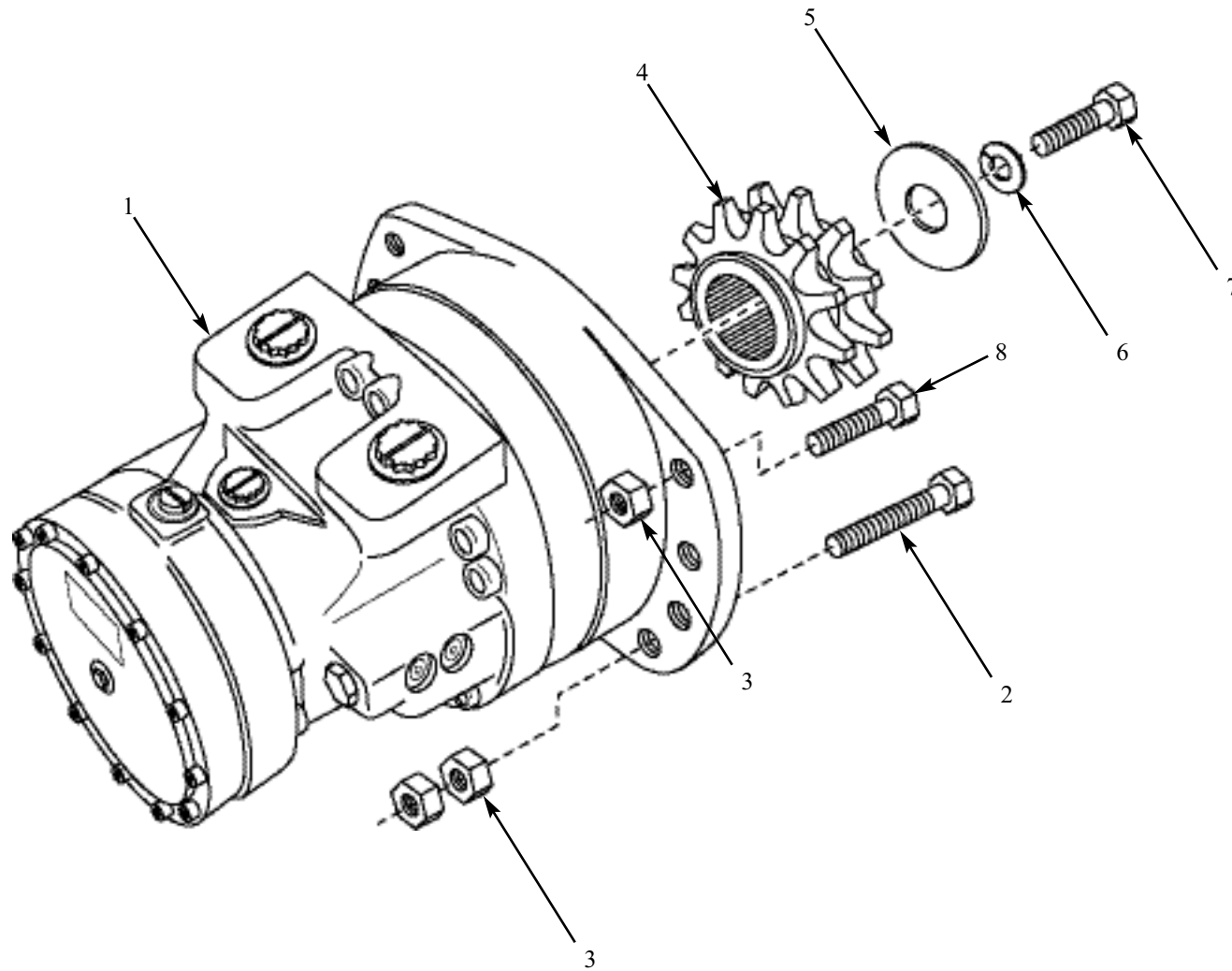
ITEM	PART	QTY	DESCRIPTION	ITEM	PART	QTY	DESCRIPTION
1.	048918SPSP	1	Pump, Tandem Assembly 245 bar	21.	964575SP	1	Hose, Hydraulic 3/8 x 16"
2.	049027SPSP	1	Pump, Gear				(LH motor case drain to brake valve port 4)
3.	964568SPSP	1	Hose, Hydraulic 1 1/4 x 56"	22.	048011SP	2	Motor, Hydraulic Assembly 750/410 cc
			(Tank to gear pump)	23.	046913SP	1	Valve, 2 pos 4 way w/check man override
4.	964573SP	1	Hose, Hydraulic 3/4 x 63"	24.	033850SP	1	Elbow, 90°
			(Tandem pump drain to tank)	25.	025011SP	1	Elbow, 90°
5.	964584SP	1	Hose, Hydraulic 3/8 x 26" Hi-Pressure	26.	014866SP	1	Elbow, 90°
			(Gauge ports to tee in front motor ports)	27.	038652SP	1	Elbow, 90°
6.	961763SP	1	Hose, Hydraulic 3/4 x 38"	28.	049037SP	1	Tee, Branch
			(Bottom of rear pump to RH motor front)	29.	021121SP	1	Connector, Male
7.	961762SP	1	Hose, Hydraulic 3/4 x 42"	30.	021128SP	1	Elbow, 90°
			(Top of rear pump to RH motor rear)	31.	038389SP	1	Tee, Run
8.	961747SP	1	Hose, Hydraulic 5/8 x 57.5"	32.	964592SP	1	Hose, Hydraulic 3/8 x 27" (P port in shift
			(Gear pump to valve)				valve to tee in port 2 in brake valve)
9.	961762SP	1	Hose, Hydraulic 3/4 x 42"	33.	043146SP	1	Tee, Run
			(Bottom of front pump to LH motor front)	34.	036713SP	1	Elbow, 90°
10.	961763SP	1	Hose, Hydraulic 3/4 x 38"	35.	043189SP	1	Tee, Branch
			(Top of front pump to LH motor rear)	36.	036855SP	1	Elbow, 90°
11.	964572SP	1	Hose, Hydraulic 1 x 52"	37.	026833SP	2	Tee, Run
			(Tee in tank to change inlet)	38.	047842SP	1	Tee, Branch
12.	964576SP	1	Hose, Hydraulic 3/8 x 54" (Tee at pump	39.	964591SP	1	Hose, Hydraulic 3/8 x 27" (T port in shift
			charge gauge port to brake valve port 2)				valve to tee in port 4 in brake valve)
13.	964582SP	1	Hose, Hydraulic 3/8 x 57" (Check valve tee	40.	023388SP	1	Elbow, 90°
			to charge pump gauge port tee)	41.	049035SP	2	Tee, Branch
14.	964638SP	1	Hose, Hydraulic 3/8 x 24"	42.	043064SP	2	Elbow, 90°
			(Gauge port to tee in front motor port)	43.	008104SP	2	Connector
15.	964575SP	1	Hose, Hydraulic 3/8 x 16"	44.	038386SP	2	Elbow, 90°
			(LH motor case drain to RH motor case drain)	45.	036713SP	1	Elbow, 90°
16.	964578SP	1	Hose, Hyd. 3/8 x 11" (LH motor brake release	46.	964593SP	1	Hose, Hydraulic 3/8 x 16"
			port Z to RH motor brake release port Z)				(X port in shift valve to RH motor shift port)
17.	964574SP	1	Hose, Hydraulic 1/2 x 73"	47.	036713SP	2	Elbow, 90°
			(Tank drain to LH motor case drain)	48.	038393SP	1	Tee, Branch
18.	964580SP	1	Hose, Hyd. 1/4 x 12" (LH motor active brake	49.	964594SP	1	Hose, Hydraulic 3/8 x 31"
			port X to RH motor active brake port X)				(X port in shift valve to LH motor shift port)
19.	964579SP	1	Hose, Hydraulic 1/4 x 15" (Brake valve port 3	50.	019240SP	1	Connector, Male
			to LH motor active brake port X)	51.	021128SP	1	Elbow, 90°
20.	964577SP	1	Hose, Hydraulic 3/8 x 16" (Brake valve port 1	52.	049009SP	1	Valve, Speed Shift Hyd.
			to LH motor brake release port Z)	53.	019240SP	1	Connector, Male



ITEM	PART	QTY	DESCRIPTION
1.	048918SP	1	Pump, Tandem Assembly 345 bar
2.	049027SP	1	Pump, Gear
*	046579SP	1	Kit, Seal Servo Pump

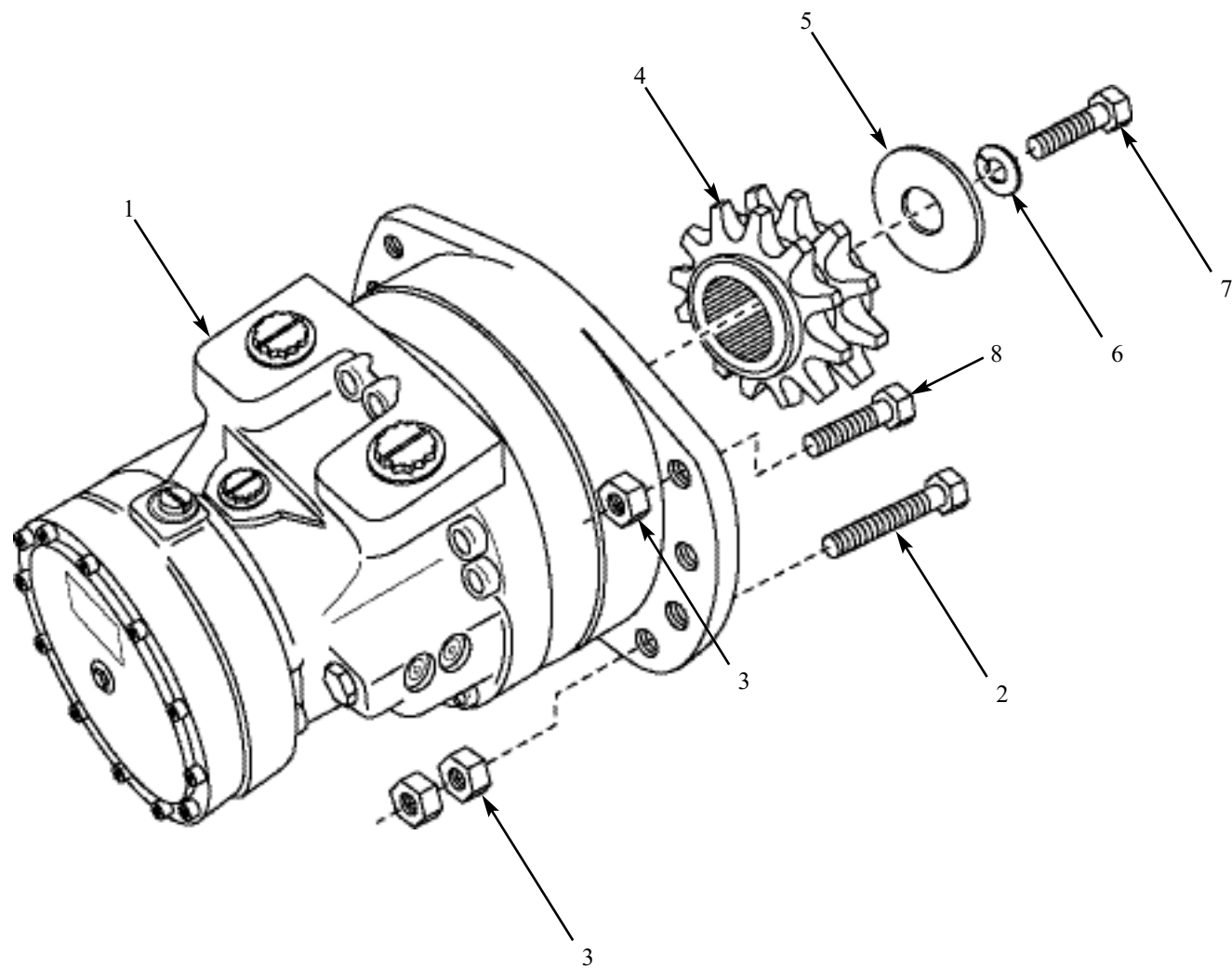


ITEM	PART	QTY	DESCRIPTION
1.	048594SP	1	Cap, Dust for Female Flush Face Coupling
2.	048592SP	1	Coupling, Quick Disconnect, Female, Flush Face
3.	029437SP	1	Connector, Bulkhead
4.	964696SP	1	Hose, Hydraulic 1/2" x 83 5/8" (Attachment return)
5.	964697SP	2	Hose, Hydraulic 3/4 x 87 7/16" (Tank bulkheads to quick couplers)
6.	038768SP	1	Elbow, 90°
7.	048680SP	2	Connector, Bulkhead
8.	043920SP	1	Coupling, Quick Disconnect, Male, Flush Face
9.	043922SP	1	Cap, Dust for Male Flush Face Coupling
10.	043919SP	1	Coupling, Quick Disconnect, Female, Flush Face
11.	043921SP	1	Cap, Dust for Female Flush Face Coupling
12.	964702SP	1	Hose, Hydraulic 3/4" x 117 15/16" (Hi-flow valve to oil cooler inlet)
13.	049060SP	1	Valve, Hydraulic Manifold 255 Hi-Flow
14.	014867SP	3	Connector
15.	014866SP	2	Elbow, 90°
16.	048736SP	2	Connector, Bulkhead
17.	042322SP	1	Tee, Run
18.	964704SP	1	Hose, Hydraulic 3/4" x 75 15/16" (Control valve to hi-flow valve P1)
19.	048919SP	1	Radiator/Oil Cooler Assy
20.	964570SP	1	Hose, Hydraulic 3/4" x 84" (Cooler to filter inlet)
21.	047804SP	1	Valve, Hyd, Assy Sol Aux w/Control Boxes
22.	961747SP	1	Hose, Hydraulic 5/8" x 57.5" (Gear Pump to valve)
23.	044462SP	1	Plug, Power Beyond
24.	025011SP	1	Elbow, 90°
25.	029437SP	1	Connector, Bulkhead
26.	964700SP	1	Hose, Hydraulic 1 1/4" x 61" (Tank to gear pump inlet)
27.	964701SP	1	Hose, Hydraulic 3/4" x 75 3/8" (Gear pump outlet to hi-flow valve P2)
28.	014866SP	1	Elbow, 90°
29.	038654SP	1	Elbow, 90°
30.	964703SP	1	Hose, Hydraulic 1/2" x 51 3/4" (Control valve T port to tank)
31.	049061SP	1	Pump, Gear Double 29/29CC
32.	043539SP	1	Filter, Hydraulic Assy
33.	964571SP	1	Hose, Hydraulic 3/4" x 22.5" (Filter outlet to tank)
34.	049036SP	1	Tee, Branch
35.	964699SP	1	Hose, Hydraulic 3/4" x 20 15/16" (Port A of hi-flow valve to bulkhead)
36.	964698SP	1	Hose, Hydraulic 3/4" x 19 15/16" (Port B of hi-flow valve to bulkhead)



ITEM	PART	QTY (per motor)	DESCRIPTION
1.	049428SP	1	Motor, Hydraulic Assy 680 cc, 2 required
2.	001150SP	7	Bolt, Hex 5/8 x 2
3.	025091SP	15	Nut, Hex 5/8
4.	048345SP	1	Sprocket, Drive 12T100 DS
5.	048479SP	1	Sheet, Retaining Washer
6.	021558SP	1	Washer, Lock
7.	030215SP	1	Bolt, Hex
8.	003419SP	1	Bolt, Hex 5/8 x 1 1/2
*	049074SP	1	Seal Kit
*	049085SP	1	Kit, Brake Service
*	049084SP	1	Shaft Seal
*	049086SP	1	Shaft Seal Insertion Tool
*	049087SP	1	Brake External Seal Insertion Tool

* Items not shown.

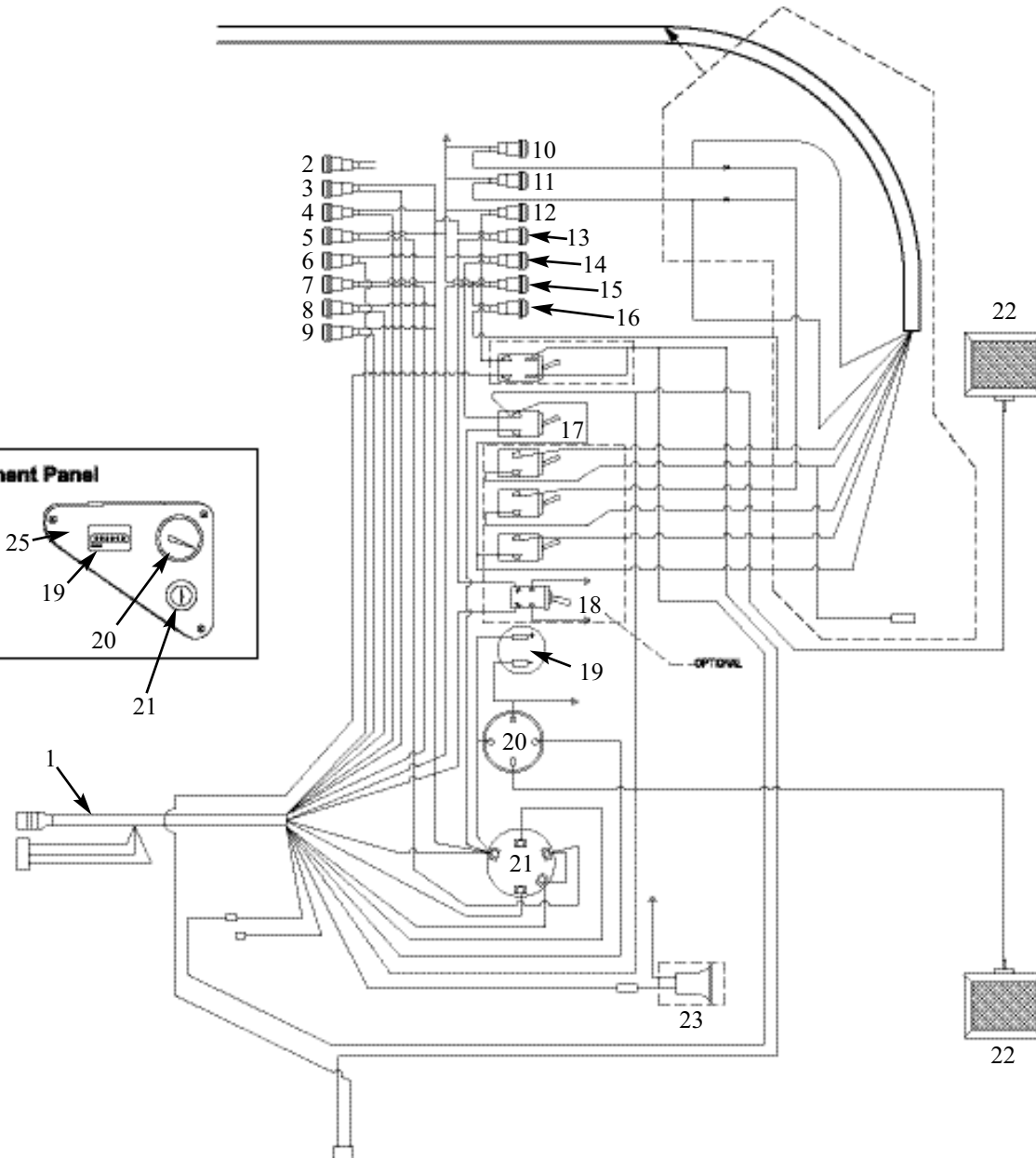
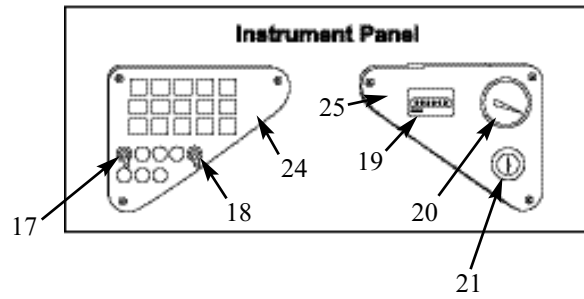
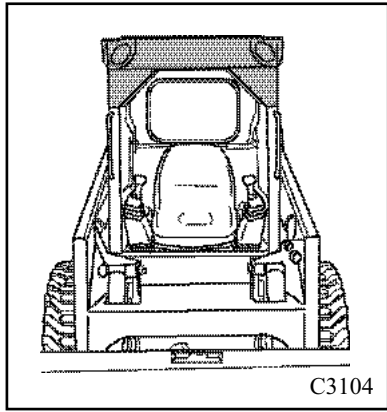


ITEM	PART	QTY (per motor)	DESCRIPTION
1.	048011SP	1	Motor, Hydraulic Assy 750/410 cc, 2 required
2.	001150SP	7	Bolt, Hex 5/8 x 2
3.	025091SP	15	Nut, Hex 5/8
4.	048345SP	1	Sprocket, Drive 12T100 DS
5.	048479SP	1	Sheet, Retaining Washer
6.	021558SP	1	Washer, Lock
7.	030215SP	1	Bolt, Hex
8.	003419SP	1	Bolt, Hex 5/8 x 1 1/2
*	049074SP	1	Seal Kit
*	049085SP	1	Kit, Brake Service
*	049084SP	1	Shaft Seal
*	049086SP	1	Shaft Seal Insertion Tool
*	049087SP	1	Brake External Seal Insertion Tool

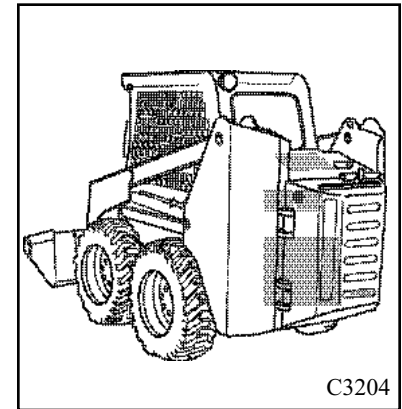
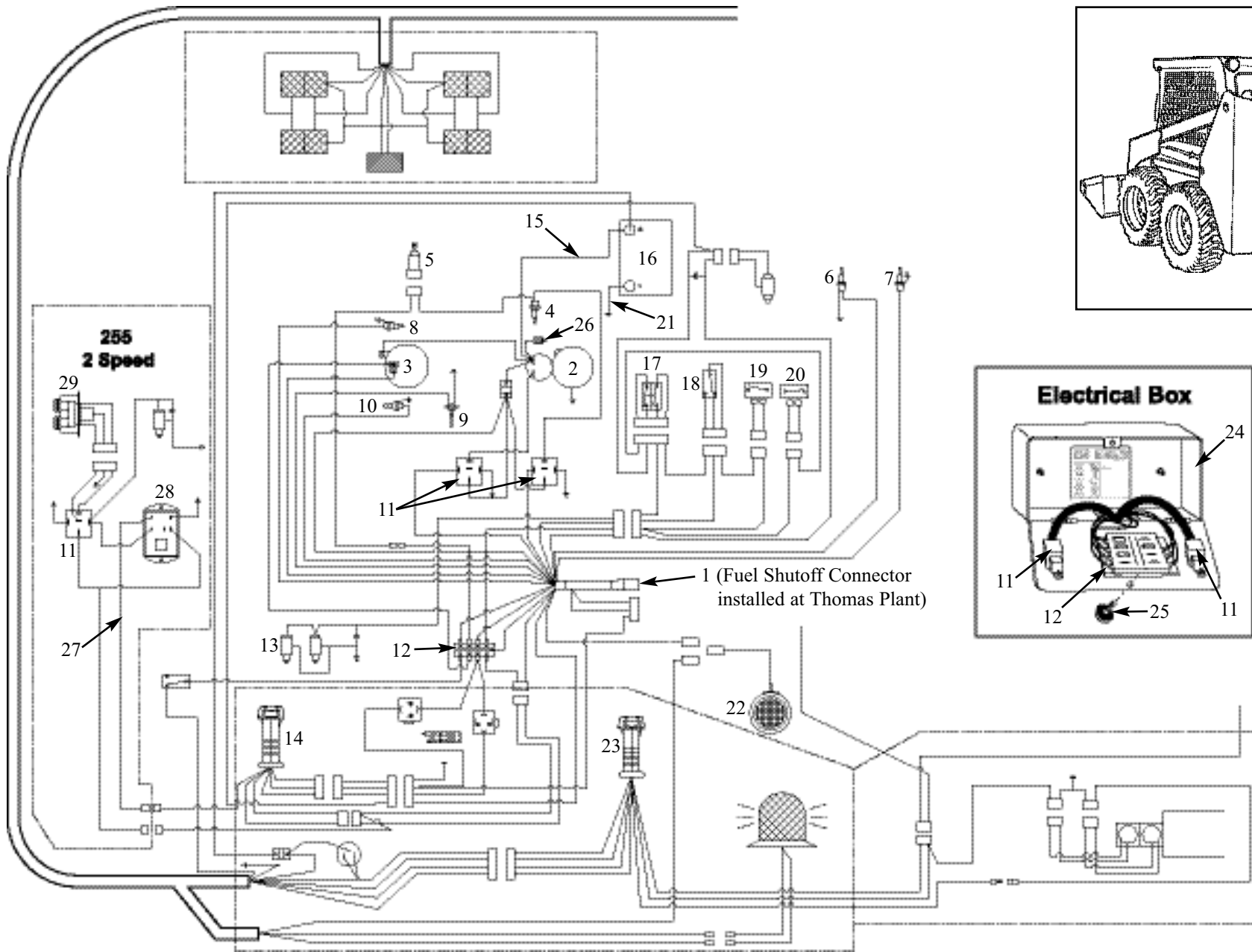
* Items not shown.

6. ELECTRICAL SYSTEM

Electrical Wiring, ROPS	6.1
Electrical Wiring, Engine.....	6.2



ITEM	PART	QTY	DESCRIPTION	Harness Clamps			
1.	042065SP	1	Harness, ROPS Assy.	*	042433SP	1	Clamp, #8
2.	039972SP	1	Indicator Light, Low Charge Pressure	*	042435SP	4	Clamp, #12
3.	039972SP	1	Indicator Light, Brake	*	042442SP	2	Clamp, #18
4.	039972SP	1	Indicator Light, Battery	* Items not shown.			
5.	039972SP	1	Indicator Light, Preheat				
6.	039972SP	1	Indicator Light, Air Filter				
7.	039972SP	1	Indicator Light, Hydraulic Oil Temperature				
8.	039972SP	1	Indicator Light, Coolant Temperature				
9.	039972SP	1	Indicator Light, Engine Oil Pressure				
10.	039972SP	1	Indicator Light, Directional Indicator LH				
11.	039972SP	1	Indicator Light, Directional Indicator RH				
12.	039972SP	1	Indicator Light, Hi-Flow Hydraulics				
13.	039972SP	1	Indicator Light, Auxiliary Hydraulics				
14.	039972SP	1	Indicator Light, Lights Dipped Low Beam				
15.	039972SP	1	Indicator Light, Seat Belt				
16.	039972SP	1	Indicator Light, Beacon				
17.	039123SP	1	Switch, Toggle SPST (Headlights)				
18.	039124SP	1	Switch, Toggle DPST (Auxiliary Hydraulics)				
19.	038761SP	1	Hour Meter				
20.	038577SP	1	Fuel Gauge				
21.	044961SP	1	Ignition Switch				
*	044960SP	1	Key, Steel, Ignition (Pair)				
22.	046836SP	2	Lamp, Oval				
*	963681SP	1	Oval Light Mounting Bracket Assy. LH				
*	963682SP	1	Oval Light Mounting Bracket Assy. RH				
*	046831SP	2	Harness, Wire Oval Lamp				
23.	040918SP	1	Horn (Optional)				
24.	046686SP	1	Panel, LH Instrument Assy.				
25.	038794SP	1	Panel, RH Instrument Assy.				



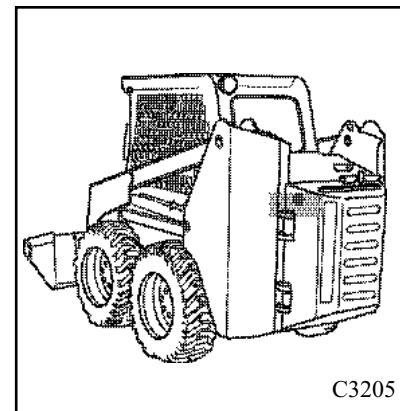
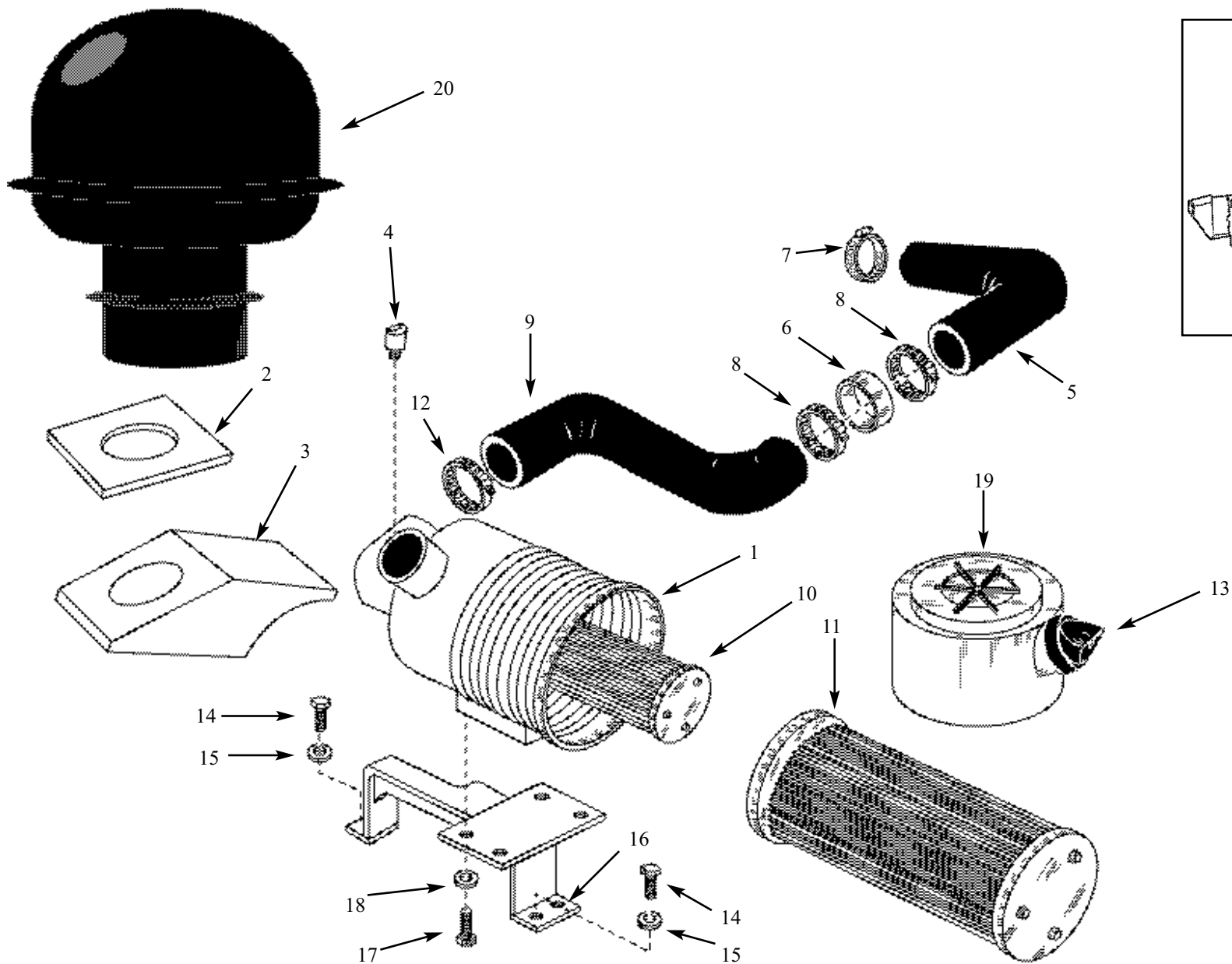
ITEM	PART	QTY	DESCRIPTION
1.	048183SP	1	Harness, Engine Wire
2.	044895SP	1	Starter, Engine V3300T
3.	044894SP	1	Alternator, 60A, Internal Regulator
4.	044896SP	1	Glow Plug, Steel, V3300T
5.	044903SP	1	Solenoid, Engine Stop V3300T
6.	038855SP	1	Indicator, Service Electrical (Air)
7.	037206SP	1	Switch, Temperature Sender, 12 Volt (Hyd. Oil Temp.)
8.	018274SP	1	Switch, Oil (Engine Oil Pressure)
9.	041627SP	1	Sender, Fuel Level
10.	037206SP	1	Switch, Temperature Sender, 12 Volt (Water Temp.)
11.	039840SP	3	Relay, 12V 40A SPDT Form C c/w Bracket
12.	039540SP	1	Panel, Fuse
*	039121SP	A/R	Fuse, Automotive, 15 Amp (5 per pack)
*	039122SP	A/R	Fuse, Automotive, 10 Amp (5 per pack)
13.	***	1	See Section 4.9
14.	044182SP	1	Handle, Ergonomic w/ Rocker & 2 PB Switches
*	048467SP	1	Switch, Rocker
*	048468SP	1	Cover, Rocker Switch Cover
15.	042064SP	1	Cable, Battery Assy. Dual w/ Boosting Cable
16.	038870SP	2	Battery, CCA 730 Dual Terminal 12V w/Handle
17.	042950SP	1	Switch, Dual c/w Bracket
18.	***	1	See Section 1.8
19.	038516SP	1	Switch, Seat, Quick Mount Normally Open
20.	042951SP	1	Switch, Contact Body Assy. (Stop Button) (Optional)
21.	038871SP	2	Cable, Ground 16"
22.	029971SP	1	Rear Work Light
23.	044181SP	1	Handle, Ergonomic Plain
24.	961693SP	1	Box, Electrical Assy.
25.	042070SP	1	Knob, Black w/ Stud
26.	037104SP	1	Lug, External Boosting
27.	048908SP	1	Harness, Two Speed
28.	048920SP	1	Control, Shift w/Relay
29.	048921SP	1	Light, Indicator 2 Speed
*	048912SP	1	Harness, Mainframe
*	047336SP	1	Harness, Wire Lighting (CE only)
*	042187SP	1	Alarm, Back-Up (Optional)
*	038752SP	1	Switch, Back-Up Alarm (Optional)

7. ENGINE EQUIPMENT

Air Cleaner (250 Models)	7.1 (A)
Air Cleaner (255 Models).....	7.1 (B)
Exhaust System	7.2
Engine Accessories.....	7.3
Engine.....	7.4

AIR CLEANER (250 Models)

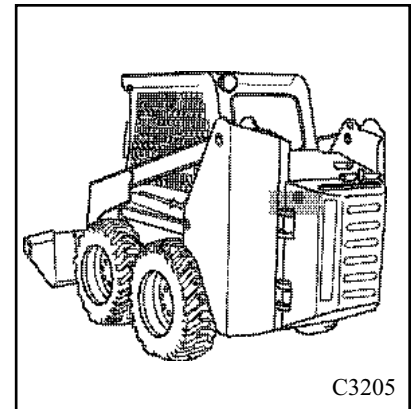
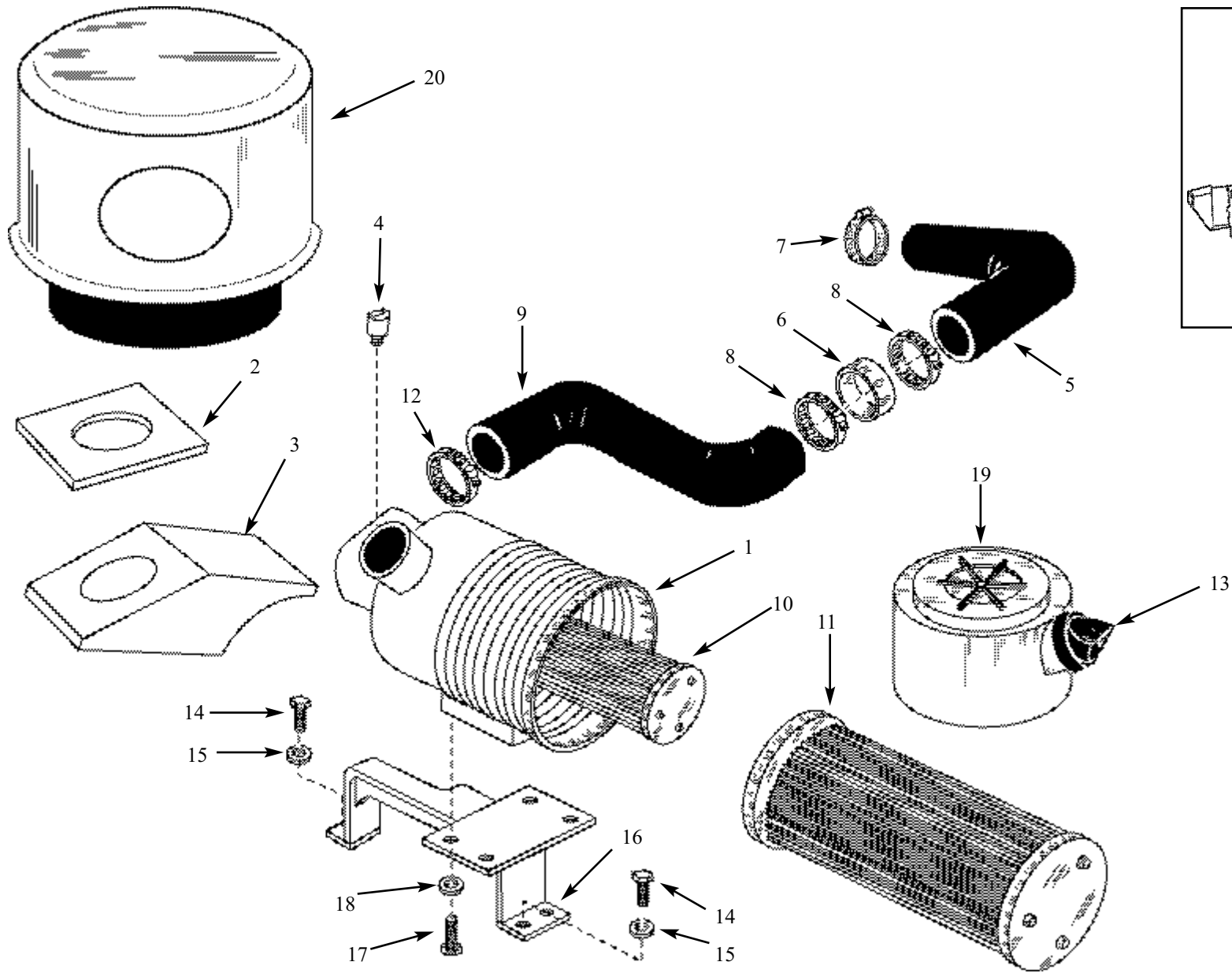
7.1 (A)



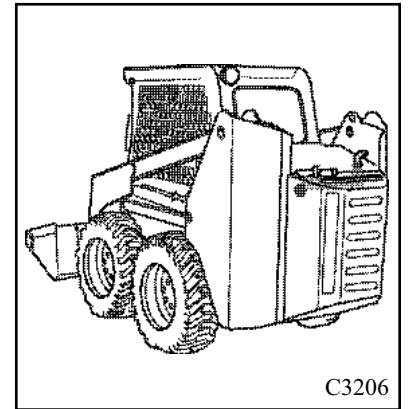
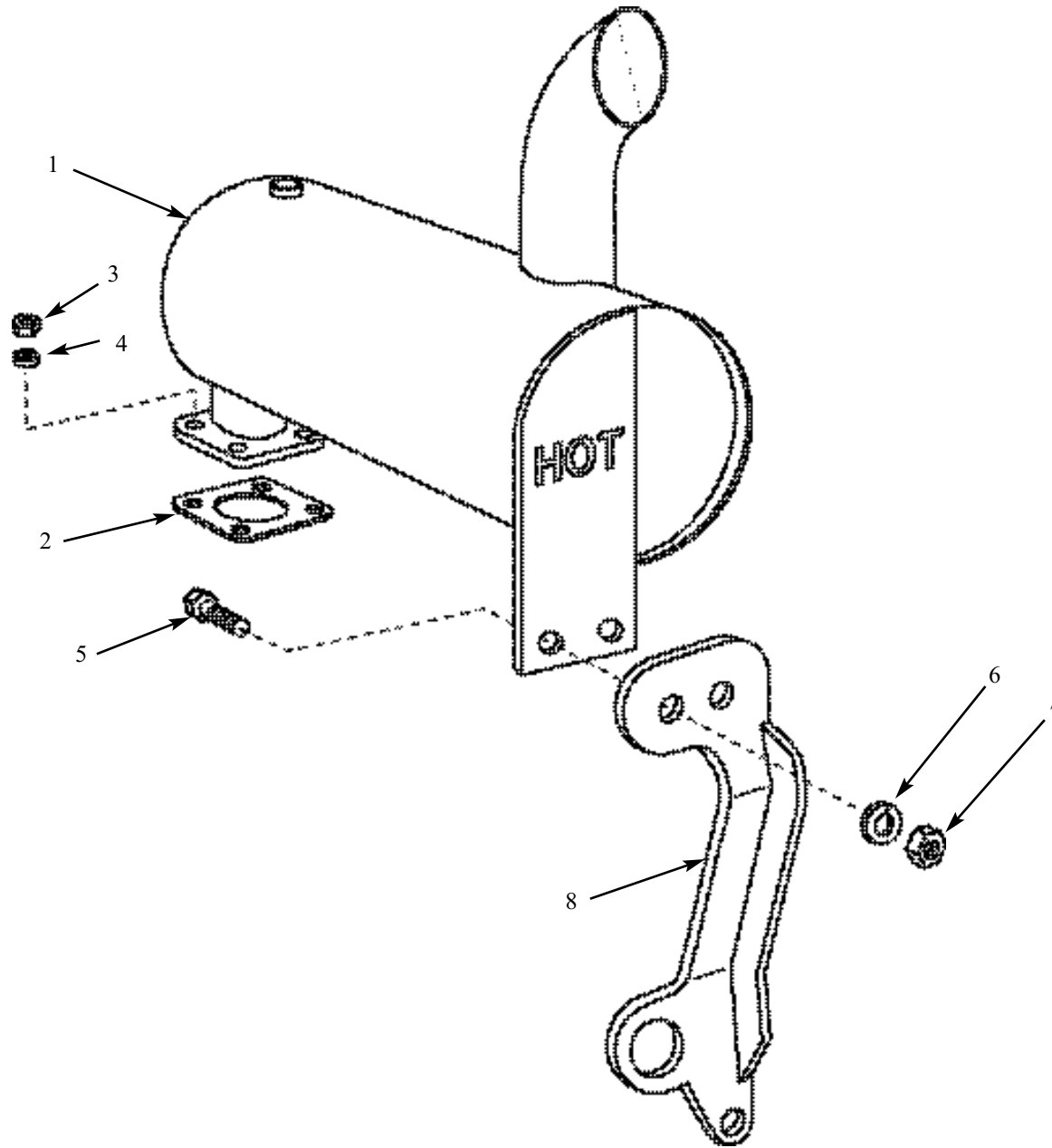
ITEM	PART	QTY	DESCRIPTION
1.	044828SP	1	Cleaner, Air Assembly 8"
2.	044761SP	1	Foam, Air Intake Gasket
3.	044756SP	1	Foam, Air Cleaner Seal
4.	042407SP	1	Indicator, Restrictor Elect. 20"
5.	044435SP	1	Hose, Molded Air Intake Part A
6.	044816SP	1	Tube
7.	006268SP	1	Clamp, Hose #32
8.	044820SP	2	Clamp, Hose #44
9.	044436SP	1	Hose, Molded Air Intake Part B
10.	044908SP	1	Element, Fiber Inner Air (Safety)
11.	044909SP	1	Element, Paper, Outer Air (Primary)
12.	044821SP	1	Clamp, Hose #64
13.	042422SP	1	Vacuator
14.	024790SP	3	Bolt, Hex
15.	021028SP	3	Washer, Lock
16.	962891SP	1	Air Cleaner Mount
17.	019029SP	4	Bolt, Hex
18.	021029SP	4	Washer, Lock
19.	044910SP	1	Cover, Plastic, Air Cleaner
20.	044759SP	1	Rain Cap, 3.75" inlet

AIR CLEANER (255 Models)

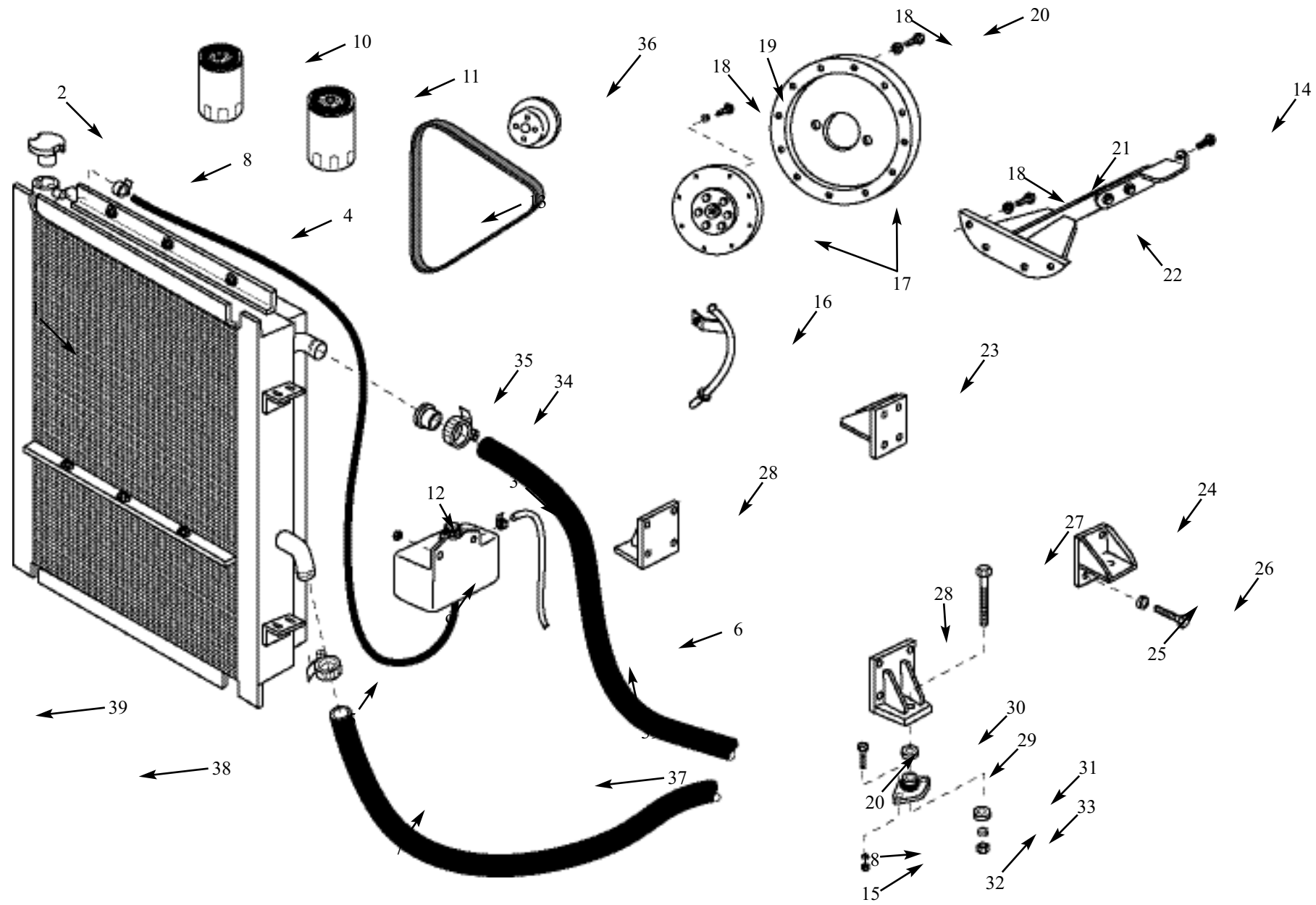
7.1 (B)



ITEM	PART	QTY	DESCRIPTION
1.	044828SP	1	Cleaner, Air Assembly 8"
2.	044761SP	1	Foam, Air Intake Gasket
3.	044756SP	1	Foam, Air Cleaner Seal
4.	042407SP	1	Indicator, Restrictor Elect. 20"
5.	044435SP	1	Hose, Molded Air Intake Part A
6.	044816SP	1	Tube
7.	006268SP	1	Clamp, Hose #32
8.	044820SP	2	Clamp, Hose #44
9.	044436SP	1	Hose, Molded Air Intake Part B
10.	044908SP	1	Element, Fiber Inner Air (Safety)
11.	044909SP	1	Element, Paper, Outer Air (Primary)
12.	044821SP	1	Clamp, Hose #64
13.	042422SP	1	Vacuator
14.	024790SP	3	Bolt, Hex
15.	021028SP	3	Washer, Lock
16.	962891SP	1	Air Cleaner Mount
17.	019029SP	4	Bolt, Hex
18.	021029SP	4	Washer, Lock
19.	044910SP	1	Cover, Plastic, Air Cleaner
20.	044758SP	1	Precleaner, 4" inlet w/gasket for 3.75" inlet

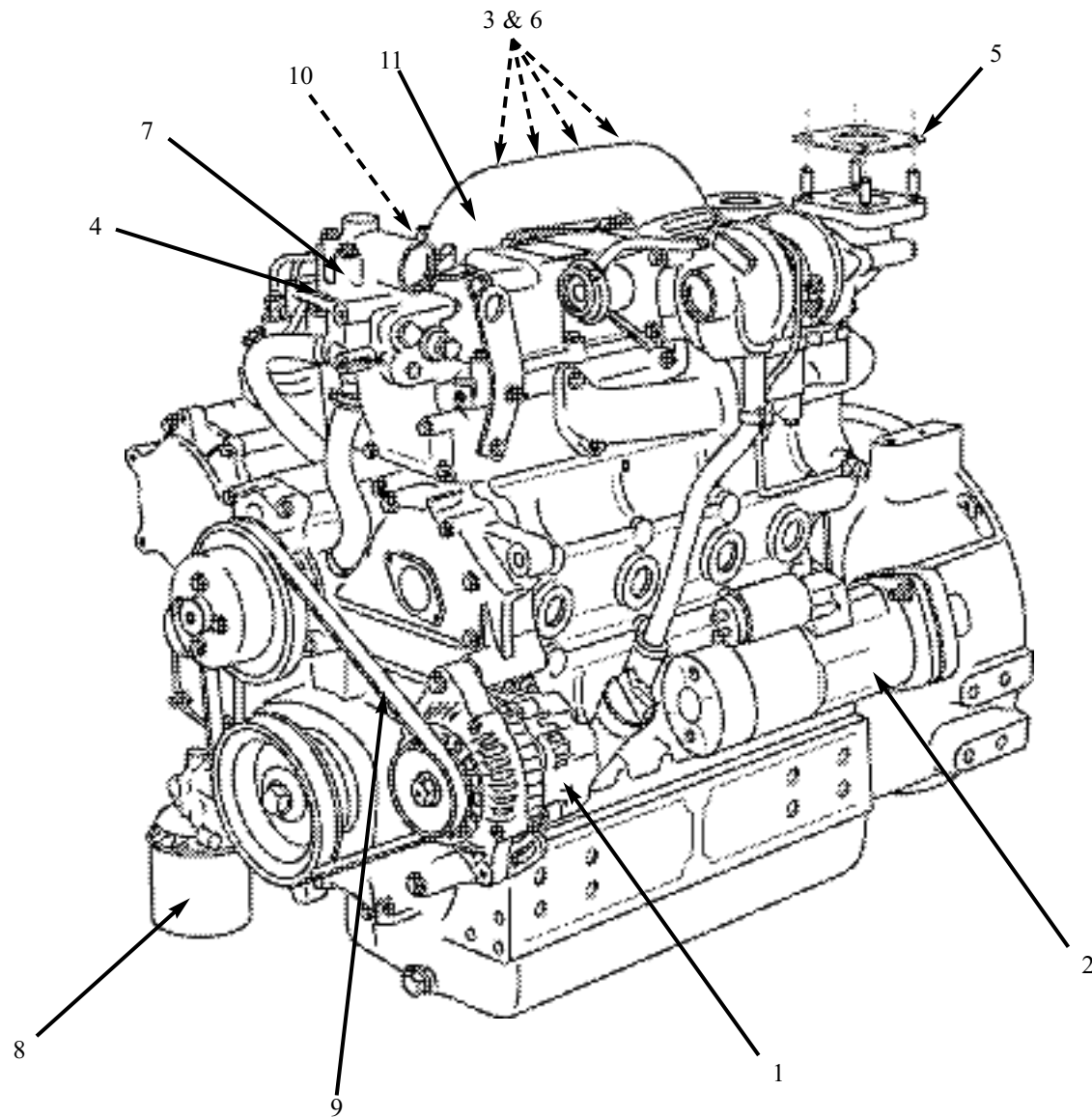


ITEM	PART	QTY	DESCRIPTION
1.	047825SP	1	Muffler, Assy
	048204SP	1	Muffler, Assy w/ Tailpipe Insulated (CE Only)
2.	044898SP	1	Gasket, Steel, Muffler
3.	038420SP	4	Nut
4.	021028SP	4	Lock washer
5.	001193SP	2	Bolt, Hex
6.	001642SP	2	Washer, Lock
7.	001194SP	2	Nut, Hex
8.	963256SP	1	Muffler Support Assy.



ITEM	PART	QTY	DESCRIPTION	ITEM	PART	QTY	DESCRIPTION
1.	048919SP	1	Radiator/Cooler Assy.	32.	001647SP	4	Washer, Lock
2.	049075SP	1	Cap, Steel, Radiator	33.	025091SP	4	Nut, Hex
3.	034919SP	1	Clamp	34.	015521SP	1	Clamp, Hose #24 (S/N LR000101-LR000114)
4.	000407SP	6 ft.	Hose, Fuel		006268SP	1	Clamp, Hose #32 (S/N LR000115 onward)
5.	006268SP	3	Clamp, Hose #32	35.	049215SP	1	Hose Adaptor (S/N LR000115 onward)
6.	049013SP	1	Hose, Coolant Top (Flex) (S/N LR000101-LR000114)	36.	049271SP	1	Pulley, V 130 mm Dia. (Standard - S/N LR000101 onward)
	051160SP	1	Hose, Top Radiator (S/N LR000115 onward)		049269SP	1	Pulley, V 154 mm Dia. (CE Models - S/N LR000186 onward)
7.	051120SP	1	Hose, Coolant Bottom	37.	964570SP	1	Hose, Hydraulic (Cooler top to filter inlet)
8.	019949SP	2	Clamp, Fuel Line	38.	964569SP	1	Hose, Hydraulic (Cooler bottom to Control Valve)
9.	042737SP	1	Reservoir, Coolant	39.	038386SP	2	Elbow, 90°
*	044850SP	1	Cap, Over Flow Jug	*	044900SP	1	Thermostat, Steel, V3300T
10.	042561SP	1	Fuel Filter	*	044897SP	1	Gasket, Fiber, Thermostat, V3300T
11.	044901SP	1	Filter, Engine Oil, V3300T	*	044899SP	4	Nozzle, Steel, V3300T
12.	016771SP	2	Nut, Nylok	*	035530SP	4	Copper Seal Washer (for Injector)
13.	044902SP	1	Belt, Rubber "V" V3300T (Standard - S/N LR000101 onward)				
	049268SP	1	Belt, V (CE Models - S/N LR000186 onward)				
14.	006602SP	1	Bolt, Hex Socket Head				
15.	001194SP	8	Nut, Hex				
16.	044815SP	1	Tube, Dipstick				
17.	044706SP	1	Kit, Adapter				
18.	001642SP	28	Washer, Lock				
19.	001193SP	8	Bolt				
20.	001387SP	8	Bolt, Hex				
21.	008280SP	4	Bolt				
22.	964602SP	1	Pump Support Assy.				
23.	962885SP	1	Mount, LH Rear Assy.				
24.	962886SP	1	Mount, RH Rear Assy.				
25.	021558SP	16	Washer, Lock				
26.	021557SP	16	Bolt, Hex				
27.	001529SP	4	Bolt, Hex				
28.	962887SP	2	Front Mount Assy.				
29.	044744SP	4	Isolator, Engine				
30.	044746SP	4	Washer, Overload				
31.	044745SP	4	Washer, Rebound				

* Item not shown



ITEM	PART	QTY	DESCRIPTION
	049276SP	1	Engine Assembly V3300T
1.	044894SP	1	Alternator, 60A, Internal Regulator
2.	044895SP	1	Starter, Engine
3.	044896SP	4	Glow Plug, Steel
4.	044897SP	1	Gasket, Fiber, Thermostat
5.	044898SP	1	Gasket, Steel, Muffler
6.	044899SP	4	Nozzle, Steel
7.	044900SP	1	Thermostat, Steel
8.	044901SP	1	Filter, Engine Oil
9.	044902SP	1	Belt, Rubber "V" (Standard - S/N LR000101 onward)
	049268SP	1	Belt, V (CE Models - S/N LR000186 onward)
10.	044903SP	1	Solenoid, Engine Stop
11.	048466SP	1	Hose, Crossover
*	042063SP	14 L	Oil, SAE 5W40 API-CF

* Item not shown in diagram.

** Items 3, 6 and 10 highlight items actually found on the other side of the engine and can not be seen by this view.

8. OPTIONAL EQUIPMENT

The following kits are OPTIONAL and can be added as extra equipment.
Some of the options listed below are standard on some machines.

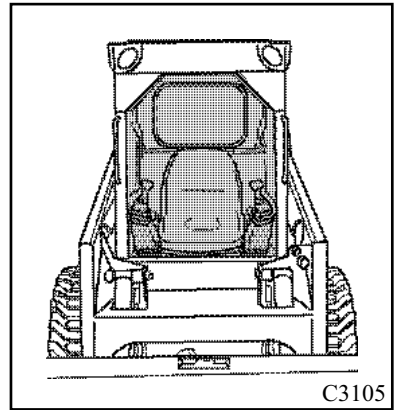
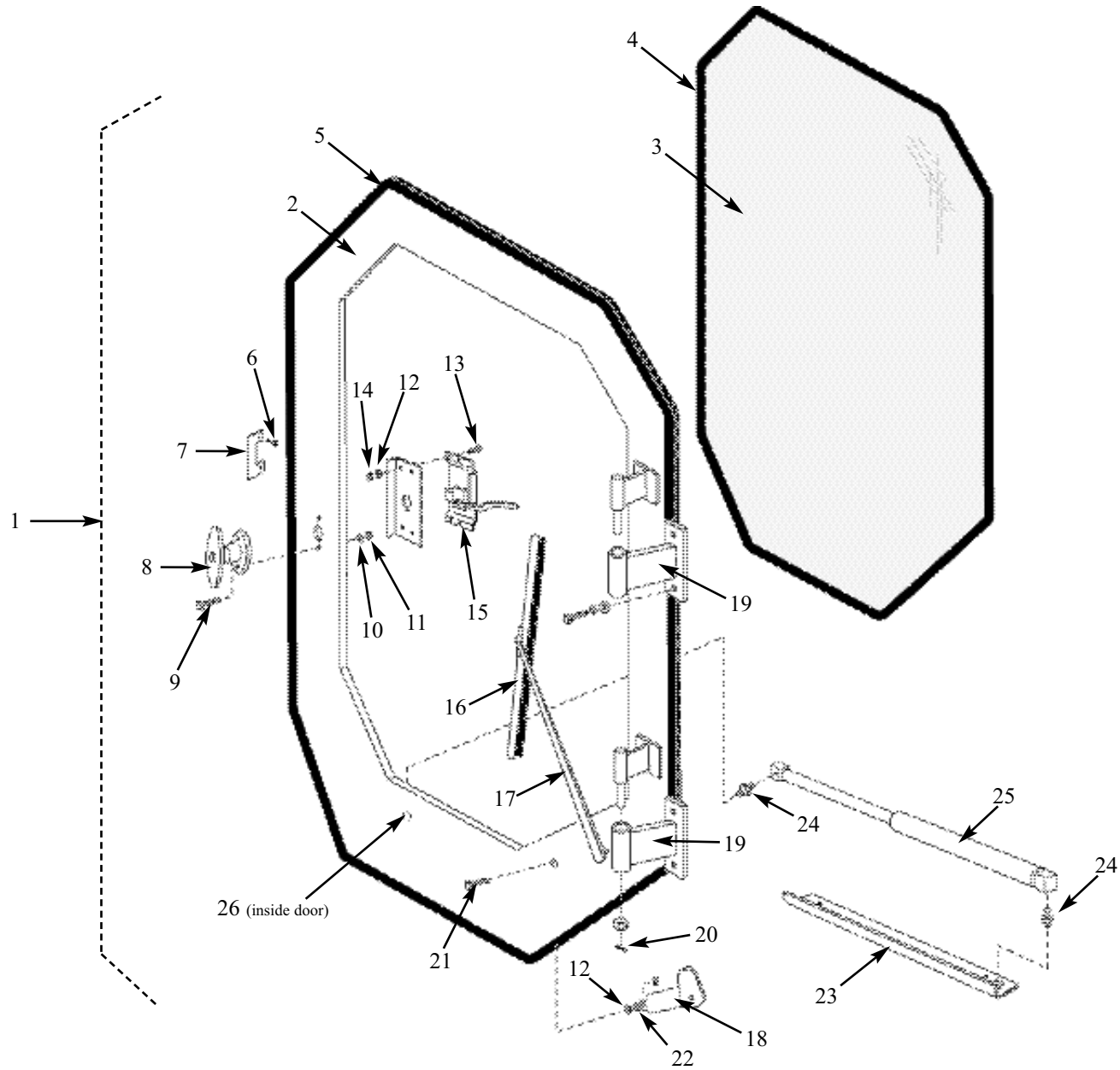
Cab Enclosure.....	8.1
Cab Heater	8.2
Cab Door.....	8.3
Side Windows - Painted.....	8.4
Block Heater	8.5
Horn	8.6
Backup Alarm	8.7
Optional Seat Belts	8.8
Fenders.....	8.9
Self Level Valve.....	8.10
Hand Controls	8.11
Hi-Flow	8.12
Optional Wheel Equipment	8.13
Hydraulic Oil Heater.....	8.14
Interior Light & Exterior Trouble.....	8.15
Counterweights	8.16
Driving Lamp.....	8.17
Purifier	8.18
Mirror, External Rear View	8.19
Mirror, Internal Rear View	8.20
Suspension Seat & Seat Belt	8.21
Stop Switch.....	8.22
Lifting Lug.....	8.23
Cab Liner	8.24
Two-Speed	8.25
Three-Point Seat Belt.....	8.26
Flat Face Coupling.....	8.27
Flat Face Adaptor to Poppet	8.28

CAB ENCLOSURE

8.1

PART	QTY	DESCRIPTION
U-3056	1	Kit, Cab Enclosure:
964846SP	1	Kit, Cab Heater
963802SP	1	Kit, Cab Door
963881SP	1	Kit, Side Windows - Painted

PART	QTY	DESCRIPTION	PART	QTY	DESCRIPTION
U-3054	1	Kit, Cab Heater:	005170SP	1	Bolt, Hex 1/4 x 1
037167SP	1	Heater, Cab	001650SP	5	Washer, Flat 1/4
044118SP	2	Elbow, 30D 8 O-Ring x 10 5/8 Hoseheater Fitting	006645SP	1	Nut, Nylok 1/4
031166SP	1	Valve, Heater	038541SP	1	Grommet, 5/16"
031167SP	1	Cable, Heater Valve Control	043033SP	2	Clamp, Twin 1" Tube
037601SP	1	Switch, Heater with Resistors	042076SP	1	Plate, Cover Twin
037606SP	1	Knob, Heater, Plastic Control			
016019SP	6	Clamp, Hose #10			
032672SP	1	Spacer, Water Flange, Kubota			
019586SP	2	Gasket, Thermostat Cover			
032682SP	2	Bolt, Hex			
031156SP	2	Coupling			
032671SP	1	Elbow, 90 Degree			
040722SP	1	Tube, Spacer Heater			
000073SP	9.5 ft.	Hose, 5/8, 2 or 3 Standard Wall			
017493SP	1	Clamp, Standard Tube (EMT Strap)			
029972SP	1	Decal, Heater Control			
043066SP	3	Terminal, Slide .25 F #16-14 Gafully Insulated			
038303SP	2	Clamp, Tube Twin 5/8"			
038472SP	1	Plate, Cover Twin			
037633SP	2	O-Ring			
039122SP	1	Fuse, Automotive 10 Amp (5 per pack)			
000765SP	7.5 ft.	Loom, Corrugated .250 ID Black			
003625SP	6.5 ft.	Wire, #14 Gauge Yellow Type SXL			
001651SP	2	Washer, Flat			
007458SP	2	Bolt, Hex 5/16 x 2 3/4			
016771SP	2	Nut, Nylok, Hex 5/16			
026715SP	3	Bolt, Hex 6 x 65MM			
040652SP	3	Tube, Spacer Heater			
002279SP	3	Washer, Lock 1/4			



ITEM	PART	QTY	DESCRIPTION
1.	U-2674	1	Kit, Cab Door
2.	963786SP	1	Door Cab Welded Assy.
3.	037243SP	1	Glass, Solid Tempered, Cab Door
4.	015750SP	9 ft.	Weatherstrip, Glass Setting
5.	000821SP	11.75 ft.	Molding, Trim Seal 1/4"
6.	031744SP	4	Screw, Hex Head
7.	032600SP	1	Plate, Latch Block
8.	953780SP	1	Handle, Cab Locking
9.	015885SP	2	Bolt, Stove
10.	002811SP	2	Washer, Lock
11.	006467SP	2	Nut, Hex
12.	001650SP	5	Washer, Flat
13.	005170SP	4	Bolt, Hex
14.	006645SP	4	Nut, Nylok
15.	039891SP	1	Latch, Cab Door RH
16.	037597SP	1	Blade, Wiper 16"
17.	037596SP	1	Arm, Wiper
18.	037275SP	1	Motor, Wiper Single Speed
19.	958336SP	2	Cab Bushing Assy.
20.	001630SP	1	Pin, Cotter
21.	002663SP	1	Bolt, Hex
22.	002279SP	1	Washer, Lock
23.	963775SP	1	Assembly, Cab Door Stop
24.	043005SP	2	Stud, Ball
25.	047050SP	1	Spring, Gas
26.	041792SP	1	Insert, Blind Thread
*	007045SP	1	Wire, End Plug Type F
*	021259SP	2	Pin, Terminal
*	032968SP	1	Receptacle, Pin Terminal "Loosepack" 14-16 Gauge
*	008615SP	0.333 ft.	Tube, Heat Shrink .187
*	015149SP	5 ft.	Wire, #14 Gauge Gray
*	035489SP	0.1	Sealant, Urethane Primerless

PART	QTY	DESCRIPTION
U-2689	1	Kit, Side Windows Painted:
044345SP	26	Screw, Machine 1/4 x 3/4 Pan Head 20TPI Stainless
044237SP	26	Nut, 1/4 Flange 20 TPI Stainless
014869SP	1	Screw, Self Drilling
015931SP	23 ft.	Weatherstrip, 5/16 x 3/4 Shur Stick (50' Roll)
039868SP	8	Washer, Nylon
039869SP	2	Knob, Fluted Black w/ 1/4" 20 Insert
047275SP	1	Window, Glass Sliding LH Side Painted
047276SP	1	Window, Glass Sliding RH Side Painted
039907SP	2	Insulator, Nylon 1/4"
040908SP	2	Bolt, Hex 1/4 x 1 1/4
040909SP	2	Nut, Hex 1/4

PART	QTY	DESCRIPTION
U-2478 029790SP	1 1	Kit, Block Heater: Heater, Block, Kubota

PART	QTY	DESCRIPTION	PART	QTY	DESCRIPTION
U-2682	1	Kit, Horn:	U-2265	1	Kit, Horn (Standard on CE Loader):
040918SP	1	Alarm, Fast Sounding	040918SP	1	Alarm, Fast Sounding
044182SP	1	Handle, Ergonomic w/ Rocker & 2 PB Switches	006081SP	2	Bolt, Hex 5/16 x 3/4
044513SP	1	Bolt, Ergonomic Handle	001651SP	2	Washer, Flat 5/16
006081SP	2	Bolt, Hex 5/16 x 3/4	001870SP	2	Washer, Lock 5/16
001651SP	2	Washer, Flat 5/16	001191SP	2	Nut, Hex 5/16
001870SP	2	Washer, Lock 5/16	039880SP	0.5 ft.	Wire, #18 Gauge Lt. Green Type SXL
001191SP	2	Nut, Hex 5/16	039206SP	1.66 ft.	Wire, #18 Gauge White/Brown Type SXL
039880SP	0.5 ft.	Wire, #18 Gauge Lt. Green Type SXL	039899SP	2	Terminal, Ring #10 Stud 22-18 Gauge Wire
039206SP	4 ft.	Wire, #18 Gauge White/Brown Type SXL	039901SP	1	Terminal, Ring 5/16" Stud 22-18
039899SP	2	Terminal, Ring #10 Stud 22-18 Gauge Wire	039127SP	1	Terminal, Pin .156 Male
039901SP	1	Terminal, Ring 5/16" Stud 22-18	039110SP	1	Tower, 2-Way Weatherpack
039127SP	1	Terminal, Pin .156 Male	039109SP	2	Sleeve, Cable 18-20 AWG Weatherpack
039110SP	1	Tower, 2-Way Weatherpack	039009SP	2	Seal, Cable 14-18 AWG Weatherpack
039109SP	2	Sleeve, Cable 18-20 AWG Weatherpack	008615SP	1 ft.	Tube, Heat Shrink .187
039009SP	2	Seal, Cable 14-18 AWG Weatherpack	003273SP	2	Tie, Cable
008615SP	1 ft.	Tube, Heat Shrink .187	000765SP	0.5 ft.	Loom, Currugated
003273SP	8	Tie, Cable	039122SP	1	Fuse, Automotive 10 Amp (5 per pack)
000765SP	0.5 ft.	Loom, Currugated			
039122SP	1	Fuse, Automotive 10 Amp (5 per pack)			

PART	QTY	DESCRIPTION
U-2481	1	Kit, Backup Alarm:
038752SP	2	Switch, Backup Alarm
042187SP	1	Alarm, Back-Up
043327SP	1	Harness, Backup Alarm
001191SP	6	Nut, Hex 5/16
001651SP	6	Washer, Flat 5/16
001190SP	2	Bolt, Hex 5/16 x 1
001870SP	6	Washer, Lock 5/16
039122SP	1	Fuse, Automotive 10 Amp (5 per pack)
043330SP	2	Sheet, Backup Alarm Spacer
004398SP	2	Bolt Hex 7/16 x 6
006393SP	4	Nut, Hex 7/16
003237SP	2	Bolt, Hex 1/4 x 2 1/2
044323SP	2	Nut, Jam 1/4
043328SP	2	Sheet, Backup Alarm Mount
043337SP	2	Sheet, Backup Alarm Mount
001622SP	4	Bolt, Stove 3/16 x 1
006468SP	4	Washer, Flat 3/16
002811SP	4	Washer, Lock 3/16
006467SP	4	Nut, Hex 3/16
027013SP	4	Washer, Lock 1/8

OPTIONAL SEAT BELTS

8.8

PART	QTY	DESCRIPTION
U-2482 048276SP	1 1	Kit, Seat Belt 3”: Belt, Safety 3” Retractable w/ Safety Wiring
U-2862 048275SP	1 1	Kit, 2” Seat Belt Retractable: Belt, Safety 2” Retractable w/ Safety Wiring

PART	QTY	DESCRIPTION
U-2961	1	Kit, Fenders:
964605SP	1	Fender Welded Assy - RH
964606SP	1	Fender Welded Assy - LH
001361SP	6	Washer, Flat 5/8
044103SP	6	Bolt, Hex Flange 1/2 x 3/4

SELF LEVEL VALVE (Standard on CE Models)

8.10

PART	QTY	DESCRIPTION
U-2942	1	Kit, SLV 255:
043487SP	1	Valve, Self Level Assy.
036273SP	2	Bar
042907SP	2	Bolt, Hex 5/16 x 3 1/4
017438SP	2	Washer, Flat 5/16
017441SP	2	Washer, Lock 5/16
024615SP	2	Nut, Hex 5/16
019226SP	1	Connector
019232SP	1	Elbow, 90°
036626SP	2	Tee, Run
963237SP	1	Kit, Hose Assy. SLV

* See Section 4.3(B) and Section 4.6(B) for diagrams that include the Self Level Valve.

PART	QTY	DESCRIPTION
U-2959	1	Kit, Hand Controls:
044937SP	1	Kit, Dust Cap w/ Connector
046006SP	1	Bar, Control Lever Linkage
046005SP	1	Nut, Jam
005170SP	2	Bolt, Hex 1/4 x 1
002454SP	1	Bolt, Hex 1/4 x 1 1/2
051108SP	1	Bar, Spacer
006645SP	2	Nut, Nylok 1/4
035883SP	2	Rod End Assy
005405SP	4	Nut, Hex 1/4
049089SP	2	Cable, Push-Pull 31"
035884SP	2	Clevis, 1/4" Pin, 1/4" UNF Threadturnbuckle Style
030044SP	2	Pin, Clevis 1/4 x 3/4
001630SP	2	Pin, Cotter 1/16 x 3/4
963266SP	1	Step Shield Assy HC
044286SP	3	Safety Track 4 1/2" x 11 1/2"
002663SP	2	Bolt, Hex 1/4 x 3/4
001650SP	2	Washer, Flat 1/4

PART	QTY	DESCRIPTION
U-2962	1	Kit, Hi-Flow:

See Section 5.3 for more informataion.

PART	QTY	DESCRIPTION
U-2509	1	Kit, Tire 33 x 6 x 8 Solid
046431SP	4	Wheel & Tire Assy, 33 x 6 x 8 Solid
U-2560	1	Kit, Tire 33 x 6 x 8 Solid Field
046431SP	4	Wheel & Tire Assy, 33 x 6 x 8 Solid
U-2510	1	Kit, Tire 12 x 16.5 HD2000 Factory
044022SP	2	Tire & Wheel Assy, 12 x 16.5 LH HD2000, 8 Bolt
044023SP	2	Tire & Wheel Assy, 12 x 16.5 RH HD2000, 8 Bolt
U-2563	1	Kit, Tire 12 x 16.5 HD2000 Field
044022SP	2	Tire & Wheel Assy, 12 x 16.5 LH HD2000, 8 Bolt
044023SP	2	Tire & Wheel Assy, 12 x 16.5 RH HD2000, 8 Bolt
U-2714	1	Kit, Tire 33 x 15.5 x 16.5, Outrigger Factory
047619SP	2	Tire & Wheel Assy, 33 x 15.5 x 16.5 RH Outrigger, 8 Bolt
047620SP	2	Tire & Wheel Assy, 33 x 15.5 x 16.5 LH Outrigger, 8 Bolt
U-2715	1	Kit, Tire 33 x 15.5 x 16.5, Outrigger Field
047619SP	2	Tire & Wheel Assy, 33 x 15.5 x 16.5 RH Outrigger, 8 Bolt
047620SP	2	Tire & Wheel Assy, 33 x 15.5 x 16.5 LH Outrigger, 8 Bolt

HYDRAULIC OIL HEATER

8.14

PART	QTY	DESCRIPTION
U-2515 030549SP	1 1	Kit, Hydraulic Oil Heater: Heater, Hydraulic Oil

PART	QTY	DESCRIPTION	PART	QTY	DESCRIPTION
U-2539	1	Kit, Interior Light & Exterior Trouble:	U-1911	1	Kit, Interior Light & Exterior Trouble (Standard on CE Loaders):
041347SP	1	Light, Dome / Emergency	041347SP	1	Light, Dome / Emergency
039880SP	11 ft.	Wire, #18 Gauge Light Green Type SXL	039880SP	11 ft.	Wire, #18 Gauge Light Green Type SXL
041023SP	11 ft.	Wire, #18 Gauge Red Type SXL	041023SP	11 ft.	Wire, #18 Gauge Red Type SXL
017940SP	2	Grommet	017940SP	2	Grommet
000765SP	11 ft.	Loom, Corrugated .250 ID Black	000765SP	11 ft.	Loom, Corrugated .250 ID Black
039122SP	1	Fuse, Automotive 10 Amp (5 per pack)	039122SP	1	Fuse, Automotive 10 Amp (5 per pack)
041705SP	1	Connector, Male, 2-Way Metri-Pak	041705SP	1	Connector, Male, 2-Way Metri-Pak
041706SP	2	Terminal, Female Metri-Pak for 41705	041706SP	2	Terminal, Female Metri-Pak for 41705
039901SP	1	Terminal, Ring 5/16" Stud 22-18	039901SP	1	Terminal, Ring 5/16" Stud 22-18
041018SP	1	Terminal, Slide .25 F #18-22 Ga Fully Insulated	041018SP	1	Terminal, Slide .25 F #18-22 Ga Fully Insulated
037472SP	3	Screw, Self Tapping, 10-16 x 3/4"	048242SP	3	Screw, Self Tapping, 10-16 x 1-1/4"
048242SP	3	Screw, Self Tapping, 10-16 x 1-1/4"			

COUNTERWEIGHTS

8.16

PART	QTY	DESCRIPTION
U-2960	1	Kit, Counterweight:
051099SP	4	Plate, Counterweight
049090SP	6	Cap Screw, 1/2" UNC x 3" Button Socket

PART	QTY	DESCRIPTION
U-2700	1	Kit, Lamp Driving:
047418SP	2	Lamp, Driving E Approved

PART	QTY	DESCRIPTION
U-2513	1	Kit, Purifier:
046309SP	1	Muffler / Purifier Assembly
044898SP	1	Gasket, Steel, Muffler
047824SP	1	Pipe, Exhaust
026759SP	1	Clamp, Muffler 3"

PART	QTY	DESCRIPTION
U-2766	1	Kit, Mirror External Rear View:
001622SP	2	Bolt, Stove 3/16 x 1
006468SP	2	Washer, Flat 3/16
002811SP	2	Washer, Lock 3/16
006467SP	2	Nut, Hex 3/16
047419SP	1	Mirror, External CE
048031SP	1	Plate, Mirror Bracket
001651SP	2	Washer, Flat 5/16
001678SP	2	Bolt, Hex 5/16 x 1 1/2
001870SP	2	Washer, Lock 5/16

MIRROR, INTERNAL REAR VIEW

8.20

PART	QTY	DESCRIPTION
U-2767	1	Kit, Mirror Internal Rear View:
024229SP	1	Mirror, Rear View
007473SP	1	Bolt, Flat Head 3/16 x 1
006467SP	1	Nut, Hex 3/16
002811SP	1	Washer, Lock 3/16

PART	QTY	DESCRIPTION
U-2711	1	Suspension Seat:
047523SP	1	Seat, Suspension
039904SP	1	Harness, Seat Switch Wire
040581SP	1	Clip, Cable 3/8" for 5/16" Bolt
963883SP	1	Seat Mount Assy.
042070SP	3	Knob, Black w/ Stud 5/16" 8 x 3/4
964627SP	1	Front Bulkhead Assy w/Decals
U-2716	1	Kit, Suspension Seat Field:
047523SP	1	Seat, Suspension
039904SP	1	Harness, Seat Switch Wire
040581SP	1	Clip, Cable 3/8" for 5/16" Bolt
963883SP	1	Seat Mount Assy.
042070SP	3	Knob, Black w/ Stud 5/16" 8 x 3/4
964627SP	1	Front Bulkhead Assy w/Decals
U-2712	1	Seat Belt 2" for Suspension Seat: (Not required for Suspension Seat if Loader is 2 speed)
047524SP	1	Belt, Safety 2"
U-2713	1	Seat Belt 3" for Suspension Seat: (Not required for Suspension Seat if Loader is 2 speed)
047525SP	1	Belt, Safety 3"

STOP SWITCH

8.22

PART	QTY	DESCRIPTION
U-2687	1	Kit, Stop Switch:
042951SP	1	Switch, Contact Body Assy.
044305SP	1	Button, Turn to Release Red
042975SP	1	Sheet, Stop Button Support
043145SP	1	Decal, Park Brake

PART	QTY	DESCRIPTION
U-2613	1	Kit, Lifting Lug ROPS:
046770SP	2	Plate, Lifting Lug
001660SP	4	Bolt, Hex 9/16 x 1 1/2
001077SP	4	Nut, Hex 9/16
002650SP	4	Washer, Flat 9/16
001648SP	4	Washer, Lock 9/16

PART	QTY	DESCRIPTION
U-2949	1	Kit, Cab Liner:
049052SP	1	Insulation, Headliner
047392SP	1	Insulation, Battery Compartment
047393SP	1	Insulation, Lower Rear Window Panel
047394SP	1	Insulation, Left Rear Cornerpost
047395SP	1	Insulation, Right Rear Cornerpost
048021SP	1	Insulation, Left Side Panel
048022SP	1	Insulation, Right Side Panel
048023SP	1	Insulation, Backpanel

* See Section 1.9 for an illustration that includes all of the components of the Cab Liner Kit.

PART	QTY	DESCRIPTION
U-2946	1	Kit, Two-Speed:
049009SP	1	Valve, Speed Shift Hyd.
004628SP	2	Bolt, Hex 1/4 x 4
002279SP	2	Washer, Lock 1/4
964590SP	1	Kit, Hydraulic Assembly Two-Speed
038393SP	1	Tee, Branch
021128SP	1	Elbow, 90°
036713SP	2	Elbow, 90°
019240SP	1	Connector, Male
051017SP	1	Sheet, Shift Control Mount Steel, 5 1/2" x 7 3/4"
043558SP	2	Nut, Hex 5/16
048048SP	1	Washer, Lock Int. Tooth 5/16
048920SP	1	Control, Shift w/ Relay
039840SP	1	Relay, 12V 40A SPDT Form C c/w Bracket
015885SP	3	Bolt, Stove 3/16 x 3/4
006467SP	3	Nut, Hex 3/16
002811SP	3	Washer, Lock 3/16
048921SP	1	Light, Indicator 2 Speed
049025SP	2	Screw, Flange Hex
048908SP	1	Harness, Two Speed
037981SP	6	Tie, Cable
042435SP	1	Clamp, Cable #12
048913SP	1	Tower, 1 Way Weatherpack Plastic/Two Speed Kit
039109SP	1	Sleeve, Cable
039009SP	1	Seal, Cable
049023SP	2	Decal, Two Speed
049047SP	1	Belt, Safety 2" 3 pt. Retractable w/Safety Wiring
001387SP	1	Bolt, Hex 3/8 x 1 1/4
001643SP	2	Washer, Flat 3/8
007465SP	1	Nut, Nylok 3/8
043560SP	1	Bolt, Hex 1/2 x 1 1/2

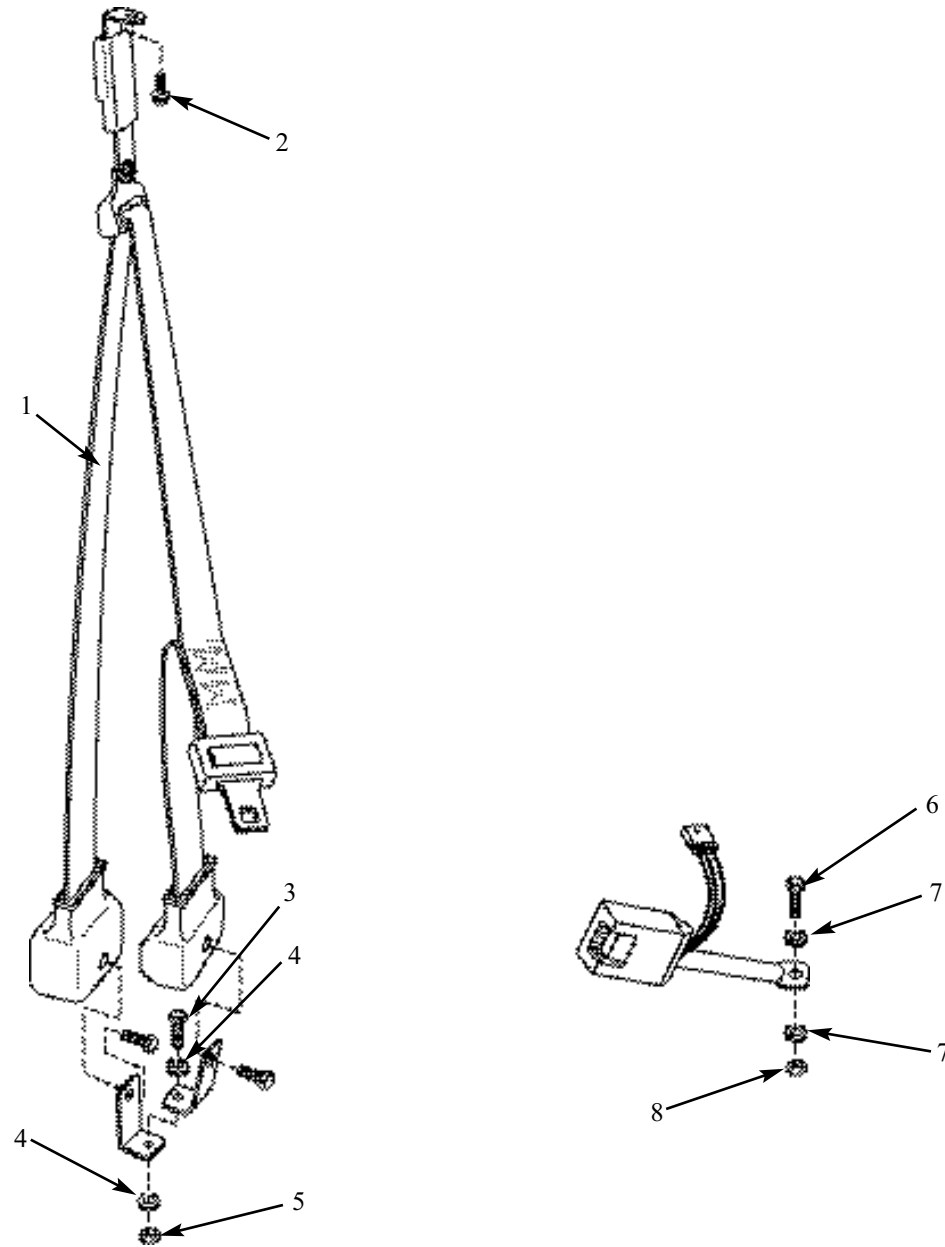
* Refer to Section 5.1(B) to see the Hydrostatic Drive Circuit including the Two-Speed components. Also see Section 6.2 to view the Two-Speed Harness, Shift Control and Indicator Light which are included in the Electrical Schematic.

TWO-SPEED (Standard on 255 Models S/N LR000400 onward)

8.25

THREE-POINT SEAT BELT (Standard on 255 Models S/N LT000102 onward)

8.26



ITEM	PART	QTY	DESCRIPTION
*	U-2947	1	Kit, Seat Belt 3 Pt Standard Seat
1.	049047SP	1	Belt, Safety 2" 3 Point Retractable w/Safety Wiring
2.	043560SP	1	Bolt, Hex Flange 1/2 x 1 1/2
3.	001387SP	1	Bolt, Hex 3/8 x 1 1/4
4.	001643SP	2	Washer, Flat 3/8
5.	007465SP	1	Nut, Nylok 3/8
6.	001193SP	1	Bolt, Hex 3/8 x 1
7.	001643SP	2	Washer, Flat 3/8
8.	007465SP	1	Nut, Nylok 3/8

FLAT FACE COUPLING (Standard on all Models, S/N LR000222 onward)**8.27**

PART	QTY	DESCRIPTION
U-2873	1	Kit, Coupling Flat Face:
043800SP	1	Coupling, Quick Disconnect Female, 8 1/2 NPTF Flush Face Type 3/4
043801SP	1	Coupling, Quick Disconnect Male, 8 1/2 NPTF Flush Face Type 3/4
043917SP	1	Cap, Dust for Female Flush Face Coupling
043918SP	1	Cap, Dust for Male Flush Face Coupling

PART	QTY	DESCRIPTION
U-2874	1	Kit, Adaptor Flat Face to Poppet Coupling:
043802SP	1	Adaptor, Quick Disconnect 12 3/4 Flat Face Female to 8 1/2 ISO Male
043803SP	1	Adaptor, Quick Disconnect 12 3/4 Flat Face Male to 8 1/2 ISO Female

NUMERICAL INDEX

NUMERICAL INDEX

NUMERICAL INDEX

PART NUMBER / SECTION	PART NUMBER / SECTION	PART NUMBER / SECTION	PART NUMBER / SECTION
000073SP8.2	001361SP1.10	001643SP2.3	001803SP4.8
000261SP1.1	001361SP8.9	001643SP4.2	001870SP1.6
000261SP1.7	001364SP2.2	001643SP4.4 (A)	001870SP1.7
000407SP1.1	001386SP3.2	001643SP4.4 (B)	001870SP2.1 (A)
000407SP7.3	001387SP1.1	001643SP8.25	001870SP2.2
000415SP4.3 (A)	001387SP1.7	001643SP8.26	001870SP2.4
000698SP4.1	001387SP1.8	001647SP1.5	001870SP4.1
000765SP8.2	001387SP4.4 (A)	001647SP7.3	001870SP4.8
000765SP8.6	001387SP4.4 (B)	001648SP8.23	001870SP8.6
000765SP8.15	001387SP7.3	001650SP1.2	001870SP8.7
000820SP1.5	001387SP8.25	001650SP1.5	001870SP8.19
000820SP1.7	001387SP8.26	001650SP1.7	002008SP2.1 (A)
000821SP1.7	001458SP1.3	001650SP4.4 (A)	002008SP2.1 (B)
000821SP8.3	001529SP7.3	001650SP4.4 (B)	002010SP1.3
001077SP8.23	001622SP8.7	001650SP8.2	002010SP1.4
001150SP5.4	001622SP8.19	001650SP8.3	002010SP1.6
001190SP1.6	001626SP2.1 (A)	001650SP8.11	002010SP4.5 (B)
001190SP1.7	001626SP2.2	001651SP1.6	002010SP4.7 (A)
001190SP4.4 (A)	001630SP2.1 (A)	001651SP1.7	002010SP4.7 (B)
001190SP4.4 (B)	001630SP2.2	001651SP4.4 (A)	002011SP1.3
001190SP8.7	001630SP8.3	001651SP4.4 (B)	002279SP1.2
001191SP8.6	001630SP8.11	001651SP4.10	002279SP3.2
001191SP8.7	001642SP1.1	001651SP8.2	002279SP4.4 (A)
001193SP1.7	001642SP1.7	001651SP8.6	002279SP8.2
001193SP1.8	001642SP2.1 (A)	001651SP8.7	002279SP8.3
001193SP4.2	001642SP2.1 (B)	001651SP8.19	002279SP8.25
001193SP7.2	001642SP4.2	001660SP8.23	002338SP4.4 (A)
001193SP7.3	001642SP4.4 (A)	001672SP2.1 (A)	002443SP2.1 (A)
001193SP8.26	001642SP4.4 (B)	001672SP2.1 (B)	002443SP2.1 (B)
001194SP1.1	001642SP7.2	001673SP2.1 (A)	002454SP2.1 (A)
001194SP2.2	001642SP7.3	001673SP2.1 (B)	002454SP8.11
001194SP7.2	001643SP1.1	001675SP4.6 (A)	002580SP2.1 (A)
001194SP7.3	001643SP1.2	001677SP2.1 (A)	002580SP2.2
001240SP4.4 (A)	001643SP1.7	001677SP2.1 (B)	002650SP8.23
001240SP4.4 (B)	001643SP1.8	001678SP8.19	002663SP1.2
001350SP1.6	001643SP2.1 (A)	001680SP1.3	002663SP1.7
001350SP2.3	001643SP2.1 (B)	001684SP1.2	002663SP8.3

PART NUMBER / SECTION	PART NUMBER / SECTION	PART NUMBER / SECTION	PART NUMBER / SECTION
002663SP.....8.11	006393SP8.7	007473SP8.20	016608SP1.5
002811SP.....2.4	006394SP1.2	007667SP4.8	016771SP1.3
002811SP.....8.3	006394SP.....2.1 (A)	008104SP.....5.1 (A)	016771SP1.4
002811SP.....8.7	006394SP.....2.1 (B)	008104SP.....5.1 (B)	016771SP.....2.1 (A)
002811SP.....8.19	006398SP1.2	008280SP7.3	016771SP2.1 (B)
002811SP.....8.20	006467SP8.3	008613SP1.3	016771SP2.2
002811SP.....8.25	006467SP8.7	008613SP1.4	016771SP.....4.3 (A)
002898SP1.5	006467SP8.19	008613SP1.5	016771SP4.3 (B)
003237SP8.7	006467SP8.20	008613SP2.4	016771SP.....4.4 (A)
003273SP8.6	006467SP8.25	008613SP4.4 (A)	016771SP4.4 (B)
003321SP1.3	006468SP8.7	008613SP4.4 (B)	016771SP.....4.6 (A)
003322SP1.4	006468SP8.19	008615SP8.3	016771SP4.10
003419SP5.4	006602SP7.3	008615SP8.6	016771SP7.3
003625SP8.2	006608SP4.8	014223SP4.1	016771SP8.2
004398SP8.7	006645SP1.2	014797SP1.1	016989SP1.2
004628SP8.25	006645SP1.5	014866SP.....5.1 (A)	017144SP1.1
005170SP1.2	006645SP.....2.1 (A)	014866SP.....5.1 (B)	017144SP4.1
005170SP1.5	006645SP8.2	014866SP5.3	017422SP1.7
005170SP.....2.1 (A)	006645SP8.3	014867SP5.3	017438SP4.6 (B)
005170SP8.2	006645SP.....8.11	014869SP8.4	017438SP8.10
005170SP8.3	007019SP.....1.11	014877SP3.2	017441SP4.6 (B)
005170SP.....8.11	007045SP8.3	014898SP4.1	017441SP8.10
005405SP2.2	007124SP4.8	015103SP4.10	017493SP8.2
005405SP.....8.11	007458SP1.3	015149SP8.3	017633SP1.5
005405SP.....2.1 (A)	007458SP1.4	015433SP4.1	017940SP8.15
005406SP.....2.1 (A)	007458SP8.2	015433SP4.8	018274SP6.2
005406SP.....2.1 (B)	007465SP1.2	015521SP7.3	018318SP1.1
005832SP.....1.11	007465SP1.4	015750SP1.5	018455SP1.5
005832SP3.2	007465SP1.8	015750SP8.3	018767SP.....5.1 (A)
006081SP8.6	007465SP.....2.1 (A)	015885SP8.3	019029SP7.1
006086SP1.6	007465SP.....2.1 (B)	015885SP8.25	019226SP4.3 (B)
006086SP1.7	007465SP.....4.4 (A)	015931SP1.5	019226SP.....4.6 (A)
006268SP7.1	007465SP.....4.4 (B)	015931SP1.7	019226SP4.6 (B)
006268SP7.3	007465SP.....4.6 (A)	015931SP.....4.4 (A)	019226SP4.8
006297SP.....4.5 (A)	007465SP.....4.6 (B)	015931SP.....4.4 (B)	019226SP8.10
006297SP.....4.7 (B)	007465SP8.25	015931SP8.4	019232SP.....4.3 (A)
006377SP3.1	007465SP8.26	016019SP8.2	019232SP4.3 (B)

NUMERICAL INDEX

PART NUMBER / SECTION	PART NUMBER / SECTION	PART NUMBER / SECTION	PART NUMBER / SECTION
019232SP4.8	021701SP4.1	025011SP5.3	030044SP2.2
019232SP8.10	022280SP4.8	025091SP5.4	030044SP8.11
019235SP4.1	022653SP1.3	025091SP7.3	030215SP5.4
019238SP5.1 (A)	023194SP1.1	025460SPDecal Section	030236SP4.5 (B)
019240SP5.1 (A)	023194SP2.4	025589SP2.1 (B)	030549SP4.1
019240SP5.1 (B)	023238SP1.2	025618SP3.2	030549SP8.14
019240SP8.25	023250SP4.4 (A)	025762SP1.7	030641SP4.7 (B)
019586SP8.2	023301SPDecal Section	026172SP2.4	031156SP8.2
019949SP1.1	023307SPDecal Section	026174SP2.1 (A)	031166SP8.2
019949SP7.3	023308SPDecal Section	026174SP2.2	031167SP8.2
020232SP4.1	023309SPDecal Section	026188SP3.2	031744SP1.5
020235SP1.5	023310SPDecal Section	026202SP4.1	031744SP1.7
020860SP1.3	023312SPDecal Section	026509SP3.2	031744SP8.3
020861SP1.3	023321SPDecal Section	026510SP3.2	032070SP1.7
020861SP1.5	023324SPDecal Section	026641SP5.1 (A)	032275SPDecal Section
020861SP4.4 (A)	023325SPDecal Section	026715SP8.2	032478SP4.1
021004SP1.2	023326SPDecal Section	026737SP1.1	032511SP4.7 (B)
021028SP2.3	023385SP1.3	026759SP8.18	032600SP8.3
021028SP7.1	023385SP4.4 (A)	026829SP4.10	032671SP8.2
021028SP7.2	023385SP4.4 (B)	026833SP4.10	032672SP8.2
021029SP4.4 (A)	023388SP5.1 (B)	026833SP5.1 (B)	032682SP8.2
021029SP4.4 (B)	023452SP1.5	027013SP8.7	032968SP8.3
021029SP7.1	023772SP2.1 (B)	029029SP3.2	033153SP4.7 (B)
021121SP4.10	023772SP2.3	029064SP1.11	033155SP4.7
021121SP5.1 (A)	023861SP1.1	029384SP2.1 (A)	033831SP4.3 (A)
021121SP5.1 (B)	023901SP2.2	029384SP2.1 (B)	033831SP4.3 (B)
021128SP5.1 (A)	023901SP4.4 (B)	029437SP4.8	033831SP4.6 (A)
021128SP5.1 (B)	024229SP8.20	029437SP5.3	033831SP4.6 (B)
021128SP8.25	024264SP1.1	029790SP8.5	033831SP4.8
021174SP2.1 (A)	024296SP4.4 (A)	029861SP4.7	033850SP5.1 (A)
021174SP2.1 (B)	024296SP4.4 (B)	029875SP4.5 (A)	033850SP5.1 (B)
021259SP8.3	024615SP4.6 (B)	029875SP4.7 (A)	033868SP4.7
021553SP5.1 (A)	024615SP8.10	029896SP4.5 (B)	034903SP4.1
021554SP4.4 (B)	024790SP2.3	029896SP4.7 (A)	034919SP4.1
021557SP7.3	024790SP7.1	029971SP6.2	034919SP7.3
021558SP5.4	025011SP5.1 (A)	029972SP8.2	035243SP4.2
021558SP7.3	025011SP5.1 (B)	030044SP2.1 (A)	035449SP2.1 (A)

PART NUMBER / SECTION	PART NUMBER / SECTION	PART NUMBER / SECTION	PART NUMBER / SECTION
035449SP2.2	037472SP8.15	038600SP1.8	039840SP6.2
035451SP4.5 (B)	037596SP8.3	038652SP5.1 (A)	039840SP8.25
035451SP4.7 (B)	037597SP8.3	038652SP5.1 (B)	039868SP1.2
035489SP8.3	037601SP8.2	038654SP5.3	039868SP8.4
035530SP7.3	037606SP8.2	038752SP6.2	039869SP8.4
035883SP2.1 (A)	037633SP8.2	038752SP8.7	039880SP8.6
035883SP8.11	037808SP1.5	038761SP6.1	039880SP8.15
035884SP2.1 (A)	037981SP8.25	038768SP5.3	039891SP8.3
035884SP2.2	038043SPDecal Section	038794SP6.1	039899SP8.6
035884SP8.11	038303SP4.1	038797SP1.6	039901SP8.6
036273SP4.6 (B)	038303SP4.6 (A)	038855SP6.2	039901SP8.15
036273SP8.10	038303SP4.6 (B)	038870SP6.2	039904SP1.8
036336SP4.3 (A)	038303SP4.8	038871SP6.2	039904SP8.21
036336SP4.3 (B)	038303SP8.2	039009SP8.6	039907SP8.4
036336SP4.6 (A)	038386SP4.2	039009SP8.25	039972SP6.1
036336SP4.6 (B)	038386SP4.4 (A)	039109SP8.6	040320SP2.4
036336SP4.8	038386SP4.4 (B)	039109SP8.25	040337SP1.6
036598SPDecal Section	038386SP5.1 (A)	039110SP8.6	040581SP8.21
036626SP4.6 (B)	038386SP5.1 (B)	039121SP6.2	040614SP1.3
036626SP8.10	038386SP7.3	039122SP6.2	040652SP8.2
036713SP5.1 (A)	038389SP4.10	039122SP8.2	040722SP8.2
036713SP5.1 (B)	038389SP5.1 (B)	039122SP8.6	040737SP1.5
036713SP8.25	038393SP5.1 (B)	039122SP8.7	040908SP8.4
036841SPDecal Section	038393SP8.25	039122SP8.15	040909SP8.4
036853SP4.10	038420SP7.2	039123SP6.1	040918SP6.1
036855SP5.1 (A)	038472SP4.1	039124SP6.1	040918SP8.6
036855SP5.1 (B)	038472SP4.6 (A)	039126SP1.5	040921SP1.1
037010SPDecal Section	038472SP4.6 (B)	039127SP8.6	040922SP1.1
037059SPDecal Section	038472SP4.8	039191SPDecal Section	040970SPDecal Section
037060SPDecal Section	038472SP8.2	039192SPDecal Section	041018SP8.15
037104SP6.2	038516SP1.8	039196SPDecal Section	041023SP8.15
037167SP8.2	038516SP6.2	039206SP8.6	041045SPDecal Section
037206SP4.1	038541SP8.2	039537SP1.5	041065SPDecal Section
037206SP6.2	038569SP1.8	039540SP6.2	041066SPDecal Section
037208SP4.1	038577SP6.1	039546SP1.6	041123SPDecal Section
037243SP8.3	038587SP4.2	039556SP1.7	041290SP1.3
037275SP8.3	038588SP4.2	039557SP1.7	041291SP1.3

NUMERICAL INDEX

PART NUMBER / SECTION	PART NUMBER / SECTION	PART NUMBER / SECTION	PART NUMBER / SECTION
041318SP1.3	042322SP4.3 (B)	043064SP5.1 (B)	043570SP4.6 (B)
041347SP8.15	042322SP5.3	043066SP8.2	043571SP4.8
041392SP1.3	042350SP1.3	043087SP1.2	043631SP1.4
041420SP4.7 (A)	042407SP7.1	043088SP1.2	043632SP4.5 (B)
041619SP1.7	042422SP7.1	043127SP4.10	043633SP1.4
041619SP1.8	042433SP6.1	043128SP4.10	043634SP1.3
041627SP1.1	042435SP6.1	043130SP4.10	043634SP1.4
041627SP6.2	042435SP8.25	043145SP8.22	043635SP1.4
041704SP1.7	042442SP6.1	043146SP5.1 (A)	043636SP1.3
041705SP8.15	042490SP1.6	043146SP5.1 (B)	043636SP1.4
041706SP8.15	042561SP1.1	043189SP5.1 (A)	043637SP1.4
041738SPDecal Section	042561SP7.3	043189SP5.1 (B)	043722SP4.9
041778SPDecal Section	042571SP1.1	043235SP1.2	043771SP4.5 (B)
041791SP1.7	042572SP1.1	043236SP1.2	043776SPDecal Section
041792SP8.3	042573SP1.1	043327SP8.7	043791SPDecal Section
042047SP2.3	042574SP1.1	043328SP8.7	043800SP4.8
042061SP4.6 (A)	042625SP4.3 (A)	043330SP8.7	043800SP8.27
042063SP7.4	042625SP4.3 (B)	043337SP8.7	043800SP4.8
042064SP6.2	042737SP7.3	043384SP2.1 (A)	043801SP8.27
042065SP6.1	042850SP4.7	043384SP2.1 (B)	043802SP8.28
042070SP1.8	042851SP4.7	043487SP4.3 (B)	043803SP8.28
042070SP6.2	042907SP4.6 (B)	043487SP4.6 (B)	043812SP4.9
042070SP8.21	042907SP8.10	043487SP8.10	043829SP1.4
042076SP4.3 (A)	042931SP1.8	043539SP4.2	043830SP1.4
042076SP4.3 (B)	042950SP2.4	043539SP5.3	043840SP2.3
042076SP4.6 (A)	042950SP6.2	043540SP4.2	043903SP4.3 (A)
042076SP8.2	042951SP6.2	043541SP4.2	043903SP4.3 (B)
042089SP4.8	042951SP8.22	043558SP1.8	043903SP4.6 (A)
042091SP4.6 (A)	042975SP8.22	043558SP3.1	043903SP4.6 (B)
042091SP4.6 (B)	043004SP2.4	043558SP3.2	043903SP4.8
042107SPDecal Section	043005SP1.7	043558SP4.1	043917SP4.8
042187SP6.2	043005SP2.4	043558SP8.25	043917SP8.27
042187SP8.7	043005SP8.3	043559SP4.4 (A)	043918SP4.8
042207SP2.1 (A)	043033SP4.3 (A)	043560SP1.8	043918SP8.27
042207SP2.1 (B)	043033SP4.3 (B)	043560SP8.25	043919SP5.3
042292SP5.1 (A)	043033SP8.2	043560SP8.26	043920SP5.3
042322SP4.3 (A)	043064SP5.1 (A)	043570SP4.6 (A)	043921SP5.3

PART NUMBER / SECTION	PART NUMBER / SECTION	PART NUMBER / SECTION	PART NUMBER / SECTION
043922SP5.3	044462SP5.3	044895SP7.4	046216SP4.5 (A)
044022SP8.13	044473SP4.9	044896SP6.2	046299SP2.1 (A)
044023SP8.13	044513SP2.1 (A)	044896SP7.4	046299SP2.1 (B)
044061SP1.6	044513SP2.1 (B)	044897SP7.3	046300SP2.1 (A)
044103SP1.10	044513SP8.6	044897SP7.4	046300SP2.1 (B)
044103SP8.9	044570SP4.5 (B)	044898SP7.2	046301SPDecal Section
044118SP8.2	044615SPDecal Section	044898SP7.4	046309SP8.18
044148SP3.1	044642SP7.4	044898SP8.18	046353SP2.1 (A)
044181SP2.1 (A)	044674SP4.8	044899SP7.3	046353SP2.1 (B)
044181SP2.1 (B)	044675SP4.8	044899SP7.4	046389SP1.5
044181SP6.2	044706SP7.3	044900SP7.3	046398SP1.2
044182SP2.1 (A)	044744SP7.3	044900SP7.4	046431SP8.13
044182SP2.1 (B)	044745SP7.3	044901SP7.3	046435SP1.11
044182SP6.2	044746SP7.3	044901SP7.4	046438SP1.11
044182SP8.6	044756SP7.1 (A)	044902SP7.3	046439SP1.11
044190SP4.9	044756SP7.1 (B)	044902SP7.4	046455SP3.1
044237SP4.4 (B)	044758SP7.1 (B)	044903SP6.2	046456SP4.1
044237SP8.4	044759SP7.1 (A)	044903SP7.4	046579SP5.2
044286SP8.11	044761SP7.1 (A)	044905SP3.2	046686SP6.1
044299SP4.9	044761SP7.1 (B)	044908SP7.1	046770SP8.23
044305SP8.22	044789SP2.2	044909SP7.1	046831SP6.1
044323SP8.7	044797SP1.7	044910SP7.1	046836SP6.1
044345SP8.4	044815SP7.3	044935SP4.9	046913SP5.1 (A)
044347SP2.1 (A)	044816SP7.1 (A)	044937SP4.9	046913SP5.1 (B)
044347SP2.1 (B)	044816SP7.1 (B)	044937SP8.11	047012SP2.1 (A)
044348SP2.1 (A)	044820SP7.1 (A)	044960SP6.1	047012SP2.1 (B)
044348SP2.1 (B)	044820SP7.1 (B)	044961SP6.1	047050SP8.3
044349SP2.1 (A)	044821SP7.1 (A)	044979SP2.1 (A)	047150SP1.7
044349SP2.1 (B)	044821SP7.1 (B)	044979SP2.2	047177SP4.5 (A)
044357SP3.1	044828SP7.1 (A)	046005SP8.11	047177SP4.7 (A)
044358SP3.1	044828SP7.1 (B)	046006SP4.9	047275SP8.4
044384SP2.1 (A)	044850SP7.3	046006SP8.11	047276SP8.4
044384SP2.1 (B)	044851SP4.4 (A)	046106SP2.2	047336SP6.2
044385SP2.1 (A)	044852SP4.4 (A)	046118SP4.10	047371SP2.2
044385SP2.1 (B)	044894SP6.2	046159SP2.2	047392SP1.9 (A)
044435SP7.1	044894SP7.4	046165SP4.10	047392SP1.9 (B)
044436SP7.1	044895SP6.2	046166SP4.10	047392SP8.24

NUMERICAL INDEX

PART NUMBER / SECTION	PART NUMBER / SECTION	PART NUMBER / SECTION	PART NUMBER / SECTION
047393SP1.9 (A)	047859SPDecal Section	048479SP5.4	048941SP1.5
047393SP1.9 (B)	047964SP1.9 (A)	048516SP4.4 (A)	048942SP1.5
047393SP8.24	047964SP1.9 (B)	048516SP4.4 (B)	048979SP4.4 (A)
047394SP1.9 (A)	047965SP1.9 (A)	048592SP5.3	049005SP4.9
047394SP1.9 (B)	047965SP1.9 (B)	048594SP5.3	049009SP5.1 (B)
047394SP8.24	048011SP5.1 (B)	048601SP4.4 (A)	049009SP8.25
047395SP1.9 (A)	048011SP5.4 (B)	048601SP4.4 (B)	049013SP7.3
047395SP1.9 (B)	048021SP1.9 (A)	048612SP4.4 (A)	049018SPDecal Section
047395SP8.24	048021SP1.9 (B)	048612SP4.4 (B)	049019SPDecal Section
047404SP1.9 (A)	048021SP8.24	048614SP1.2	049020SPDecal Section
047404SP1.9 (B)	048022SP1.9 (A)	048680SP5.3	049021SPDecal Section
047406SP1.9 (A)	048022SP1.9 (B)	048706SP1.2	049022SPDecal Section
047406SP1.9 (B)	048022SP8.24	048736SP5.3	049023SPDecal Section
047409SP1.9 (A)	048023SP1.9 (A)	048908SP6.2	049023SP8.25
047409SP1.9 (B)	048023SP1.9 (B)	048908SP8.25	049025SP8.25
047410SP1.9 (A)	048023SP8.24	048912SP6.2	049027SP5.1 (A)
047410SP1.9 (B)	048031SP8.19	048913SP8.25	049027SP5.1 (B)
047411SP1.9 (A)	048048SP8.25	048917SP3.2	049027SP5.2
047411SP1.9 (B)	048183SP6.2	048918SP5.1 (A)	049035SP5.1 (A)
047412SP1.9 (A)	048204SP7.2	048918SP5.1 (B)	049035SP5.1 (B)
047412SP1.9 (B)	048242SP8.15	048918SP5.2	049036SP4.1
047418SP8.17	048275SP1.8	048919SP4.4 (A)	049036SP5.3
047419SP8.19	048275SP8.8	048919SP4.4 (B)	049037SP5.1 (A)
047422SP1.8	048276SP1.8	048919SP5.3	049037SP5.1 (B)
047523SP8.21	048276SP8.8	048919SP7.3	049040SPDecal Section
047524SP8.21	048345SP5.4	048920SP6.2	049047SP1.8
047525SP8.21	048346SP3.2	048920SP8.25	049047SP8.25
047619SP8.13	048355SP3.2	048921SP6.2	049047SP8.26
047620SP8.13	048365SP3.2	048921SP8.25	049052SP1.9 (A)
047760SP2.1 (A)	048366SP3.2	048923SP4.4 (A)	049052SP1.9 (B)
047760SP2.2	048447SP4.1	048923SP4.4 (B)	049052SP8.24
047804SP4.9	048448SP4.1	048924SP1.7	049060SP5.3
047804SP5.3	048466SP7.4	048925SP4.4 (A)	049061SP5.3
047824SP8.18	048467SP2.1 (A)	048925SP4.4 (B)	049065SP4.1
047825SP7.2	048467SP6.2	048927SP1.2	049074SP5.4
047842SP5.1 (A)	048468SP2.1 (A)	048928SP1.2	049075SP7.3
047842SP5.1 (B)	048468SP6.2	048929SP1.2	049076SP4.9

PART NUMBER / SECTION	PART NUMBER / SECTION	PART NUMBER / SECTION	PART NUMBER / SECTION
049077SP4.9	049270SP3.2	961747SP5.1 (B)	963266SP1.7
049078SP4.9	049271SP7.3	961747SP5.3	963266SP8.11
049079SP4.9	049281SP1.3	961761SP4.6 (A)	963344SP2.1 (A)
049080SP4.9	049428SP5.1 (A)	961761SP4.6 (B)	963344SP2.1 (B)
049081SP4.9	049428SP5.4 (A)	961761SP4.8	963348SP2.1 (A)
049082SP4.9	049438SPDecal Section	961762SP5.1 (A)	963348SP2.1 (B)
049083SP4.9	051013SP2.1 (A)	961762SP5.1 (B)	963349SP2.1 (A)
049084SP5.4	051013SP2.2	961763SP5.1 (A)	963349SP2.1 (B)
049085SP5.4	051014SP2.2	961763SP5.1 (B)	964846SP8.1
049086SP5.4	051017SP8.25	961767SP4.6 (B)	963425SP1.11
049087SP5.4	051021SP4.4 (A)	961774SP4.3 (A)	963681SP6.1
049089SP2.1 (A)	051021SP4.4 (B)	961774SP4.3 (B)	963682SP6.1
049089SP8.11	051028SP1.2	961776SP4.3 (B)	963775SP8.3
049090SP8.16	051035SP4.4 (A)	961778SP4.6 (B)	963786SP8.3
049097SP1.2	051099SP8.16	961833SP1.3	963802SP8.1
049190SPDecal Section	051108SP2.1 (A)	961834SP1.3	963832SP2.2
049191SPDecal Section	051108SP8.11	961937SP4.3 (B)	963881SP8.1
049192SPDecal Section	051119SP3.1	962874SP2.1 (A)	963883SP8.21
049193SPDecal Section	051119SP3.2	962874SP2.1 (B)	963900SP2.1 (A)
049194SPDecal Section	051120SP7.3	962885SP7.3	963900SP2.2
049195SPDecal Section	051160SP7.3	962886SP7.3	963926SP1.4
049196SPDecal Section	051184SP4.4 (B)	962887SP7.3	964349SP3.2
049215SP7.3	051190SP4.4 (B)	962891SP7.1	964353SP3.1
049253SP1.9 (B)	051192SP4.4 (B)	962903SP4.3 (A)	964354SP3.1
049254SP1.9 (B)	051195SP4.4 (B)	962903SP4.3 (B)	964514SP1.2
049255SP1.9 (B)	051203SP1.7	962904SP4.3 (A)	964522SP1.2
049256SP1.9 (B)	952766SP3.1	962904SP4.3 (B)	964535SP2.1 (A)
049257SP1.9 (B)	953780SP8.3	963059SP2.2	964535SP2.2
049258SP1.9 (B)	958336SP8.3	963106SP1.7	964539SP1.7
049259SP1.9 (B)	959073SP2.1 (A)	963108SP2.3	964544SP1.2
049260SP4.4 (B)	959073SP2.1 (B)	963230SP4.3 (A)	964546SP4.4 (A)
049262SP1.9 (B)	960475SP3.2	963230SP4.3 (B)	964546SP4.4 (B)
049263SP1.9 (B)	961499SP4.6 (A)	963231SP4.3 (A)	964547SP4.4 (A)
049268SP7.3	961499SP4.6 (B)	963232SP4.6 (A)	964568SP4.1
049268SP7.4	961693SP6.2	963232SP4.6 (B)	964568SP5.1 (A)
049269SP7.3	961696SP1.3	963237SP8.10	964568SP5.1 (B)
049270SP3.1	961747SP5.1 (A)	963256SP7.2	964569SP4.4 (A)

NUMERICAL INDEX

PART NUMBER / SECTION

964569SP.....4.4 (B)	964593SP.....5.1 (B)	U-2482.....8.8
964569SP.....7.3	964594SP.....5.1 (B)	U-2509.....8.13
964570SP.....4.2	964595SP.....4.6 (A)	U-2510.....8.13
964570SP.....4.4 (A)	964595SP.....4.6 (B)	U-2513.....8.18
964570SP.....4.4 (B)	964595SP.....4.8	U-2515.....8.14
964570SP.....5.3	964597SP.....1.5	U-2539.....8.15
964570SP.....7.3	964600SP.....2.4	U-2560.....8.13
964571SP.....4.1	964602SP.....7.3	U-2563.....8.13
964571SP.....4.2	964605SP.....1.10	U-2613.....8.23
964571SP.....5.3	964605SP.....8.9	U-2674.....8.3
964572SP.....4.1	964606SP.....1.10	U-2961.....1.10
964572SP.....5.1 (A)	964606SP.....8.9	U-2961.....8.9
964572SP.....5.1 (B)	964613SP.....3.2	U-3056.....8.1
964573SP.....4.1	964622SP.....4.10	U-2682.....8.6
964573SP.....5.1 (A)	964627SP.....8.21	U-2687.....8.22
964573SP.....5.1 (B)	964638SP.....5.1 (B)	U-2689.....8.4
964574SP.....4.1	964696SP.....5.3	U-2700.....8.17
964574SP.....5.1 (A)	964697SP.....5.3	U-2711.....8.21
964574SP.....5.1 (B)	964698SP.....5.3	U-2712.....8.21
964575SP.....5.1 (B)	964699SP.....5.3	U-2713.....8.21
964576SP.....5.1 (A)	964700SP.....5.3	U-2714.....8.13
964576SP.....5.1 (B)	964701SP.....5.3	U-2715.....8.13
964577SP.....5.1 (A)	964702SP.....5.3	U-2716.....8.21
964577SP.....5.1 (B)	964703SP.....5.3	U-2766.....8.19
964578SP.....5.1 (A)	964704SP.....5.3	U-2767.....8.20
964578SP.....5.1 (B)	964719SP.....4.4 (B)	U-2862.....8.8
964579SP.....5.1 (B)	964967SP.....5.1 (A)	U-2873.....8.27
964580SP.....5.1 (B)	964968SP.....5.1 (A)	U-2874.....8.28
964581SP.....4.10	964969SP.....5.1 (A)	U-2942.....8.10
964582SP.....4.10	964970SP.....5.1 (A)	U-2946.....8.25
964582SP.....5.1 (A)	964971SP.....5.1 (A)	U-2947.....8.26
964582SP.....5.1 (B)	964972SP.....5.1 (A)	U-2949.....8.24
964583SP.....4.10	U-1911.....8.15	U-2959.....8.11
964584SP.....5.1 (B)	U-2265.....8.6	U-2960.....8.16
964590SP.....8.25	U-3054.....8.2	U-2961.....8.9
964591SP.....5.1 (B)	U-2478.....8.5	U-2962.....8.12
964592SP.....5.1 (B)	U-2481.....8.7	